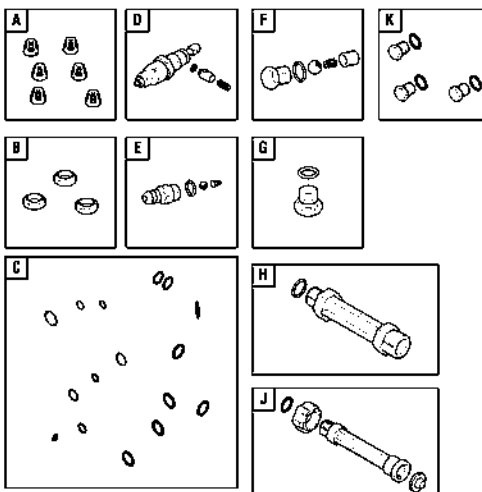
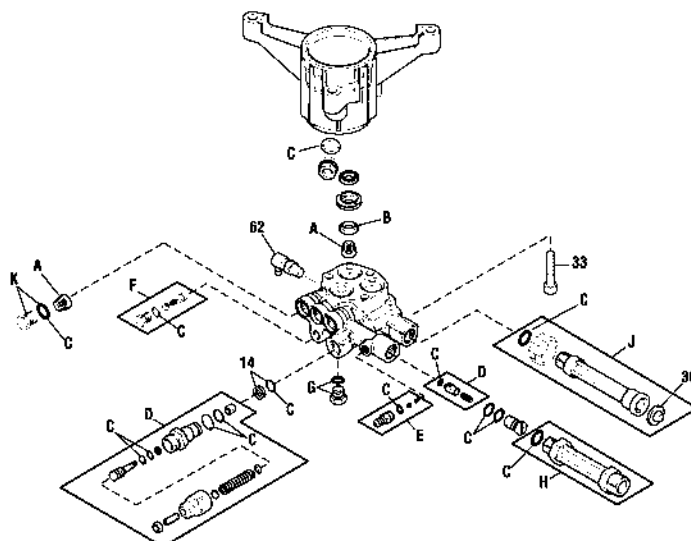


Pump

311966

NOTE: Unless noted otherwise, use the standard hardware torque specification chart.



REF.	PART NO.	DESCRIPTION	REF.	PART NO.	DESCRIPTION
14	706608	SEAT			
33	200275GS	SCREW			
36	B2384GS	FILTER, Garden Hose			
62	208673GS	VALVE, Thermo Relief (Not Illustrated)			
A	317897GS	* KIT, Check Valve			
B	200345GS	* KIT, Water Seal			
C	200346GS	* KIT, O-Ring			
D	315747GS	* KIT, Unloader			
E	192914GS	* KIT, Chemical Injection			
F	200349GS	* KIT, Easy Start			
G	200350GS	* SCREW, Grub			
H	201497GS	* FITTING			
J	201496GS	* KIT, Water Inlet			
K	317057GS	* KIT, Plug			
--	6039	PUMP SAVER (Optional Accessory - Not Included)			
--	6033	OIL BOTTLE (Optional Accessory - Not Included)			

Footnotes

* Service Kit includes all parts shown in box.