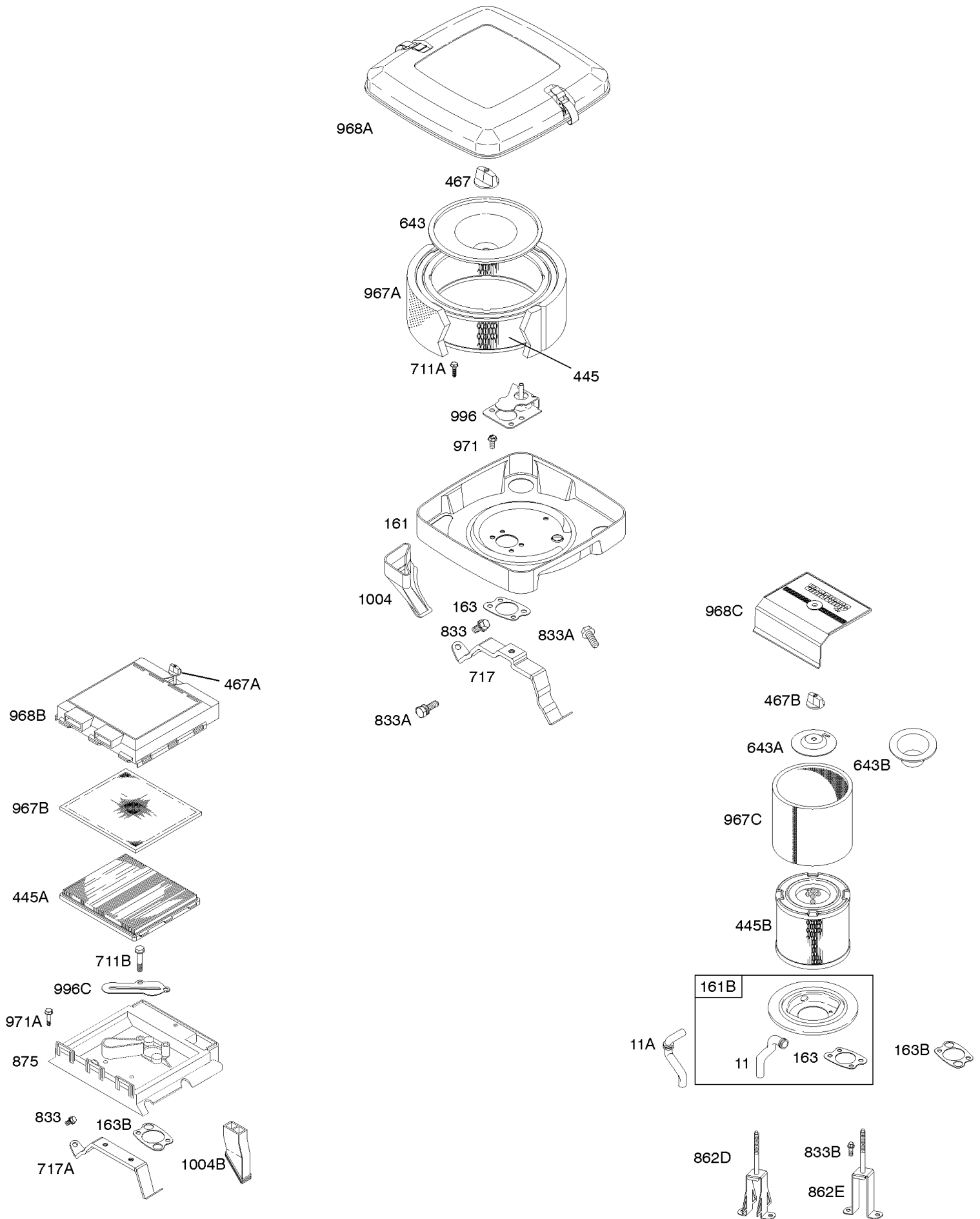




Parts Manual

Mfg. No: 303447-1348-E1

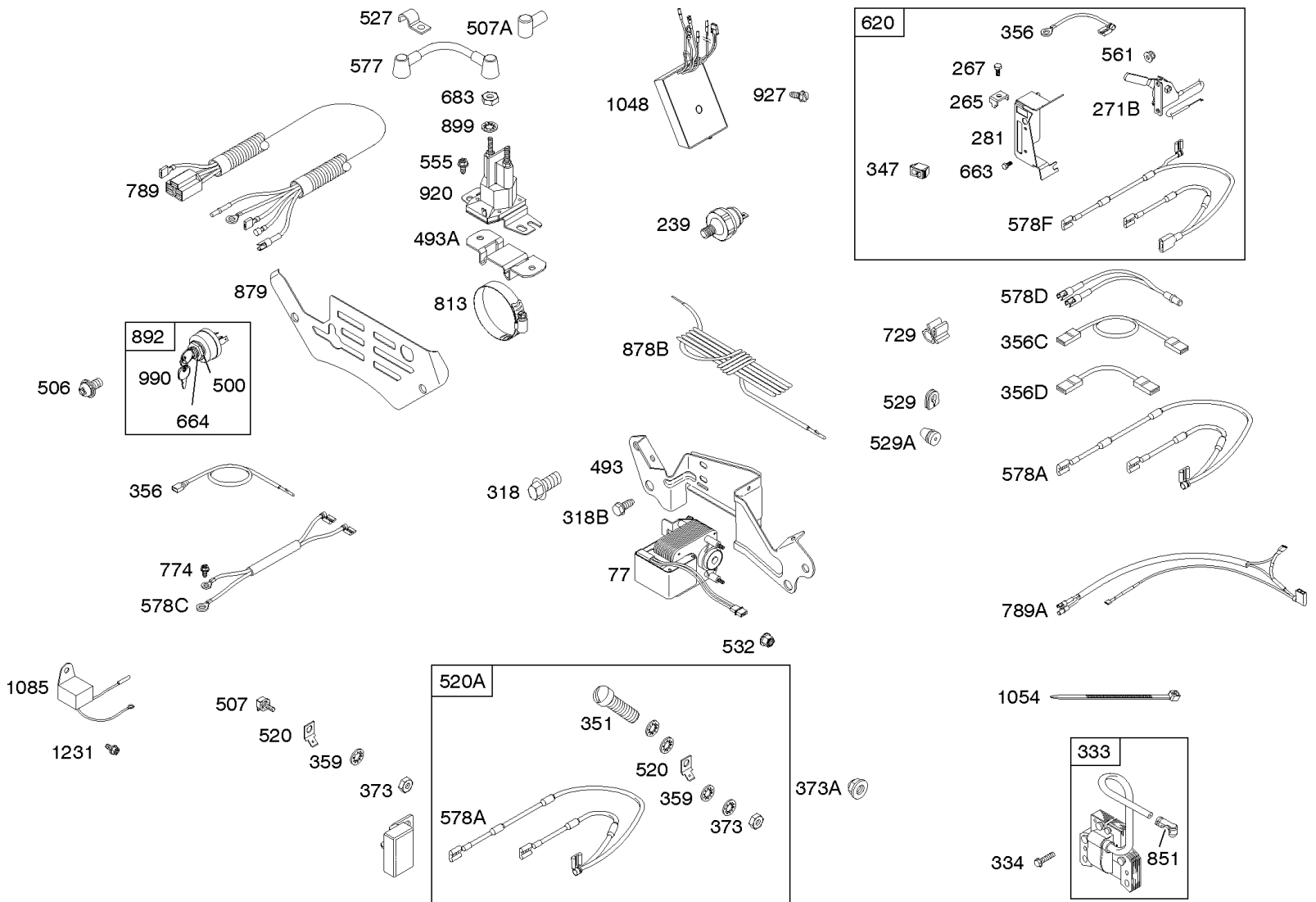
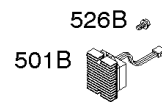
Model Components	Page
Air Cleaner.....	4
Alternator, Ignition, Wires.....	6
Blower Housing.....	10
Camshaft, Crankshaft, Cylinder, Piston, Rings, Connecting Rod.....	12
Carburetor.....	16
Carburetor Overhaul Kit, Engine & Valve Gasket Sets.....	20
Controls, Springs.....	24
Crankcase Cover, Intake Manifold.....	28
Cylinder Head, Valves, Rocker Covers.....	30
Electric Starter #1.....	34
Electric Starter #2.....	36
Electronic Governor.....	38
Exhaust System #1.....	40
Exhaust System #2.....	42
Flywheel, Starter Kit, Rotating Screens.....	46
Fuel Supply.....	48
Lubrication.....	52
Replacement Engine.....	54
Rewind Starter.....	55
Shrouds, Air Guides.....	57



Air Cleaner

REF NO	PART NO	QTY	DESCRIPTION
11	691556		Tube-Breather
11A	806083S		Tube-Breather
161	691561		Base-Air Cleaner -(Metal)
161B	808414		Base-Air Cleaner -(Metal)
163B	841823		Gasket-Air Cleaner
445	394018S		FILTER, A/C Cartridge
445A	805113		Filter-A/C Cartridge
445B	393957S		Filter-A/C Cartridge
467	691985		KNOB, Air Cleaner Cover
467A	690895		Knob-Air Cleaner Cover
467B	691668		Knob-Air Cleaner Cover
643	692079		Retainer-Air Filter
643A	690447		Retainer-Air Filter
643B	691730		Retainer-Air Filter
711A	807084		SCREW -(Carburetor Shield)
717	692153		BRACKET, Air Cleaner
717A	807563		Bracket-Air Cleaner
833	841233		SCREW -(Air Cleaner Mounting Strap/Stud)
833A	807084		SCREW -(Air Cleaner Mounting Strap/Stud)
833B	691593		Screw -(Air Cleaner Mounting Strap/Stud)
862D	691565		Strap/Stud-Air Cleaner Mounting
862E	492133		Strap/Stud-Air Cleaner Mounting
875	-----		Base-Air Cleaner -(Plastic) (NO LONGER AVAILABLE)
967A	272490S		FILTER, Pre Cleaner
967C	271794S		Filter-Pre Cleaner
967B	805267S		Filter-Pre Cleaner
968B	841822		Cover-Air Cleaner
971	807084		SCREW -(Air Cleaner Base to Carburetor)
971A	690699		Screw -(Air Cleaner Base to Carburetor)
996C	691577		Shield-Carburetor
1004	690743		Duct-Air -(NO LONGER AVAILABLE)
1004B	692538		Duct-Air -(Used With Plastic Air Cleaner Base)

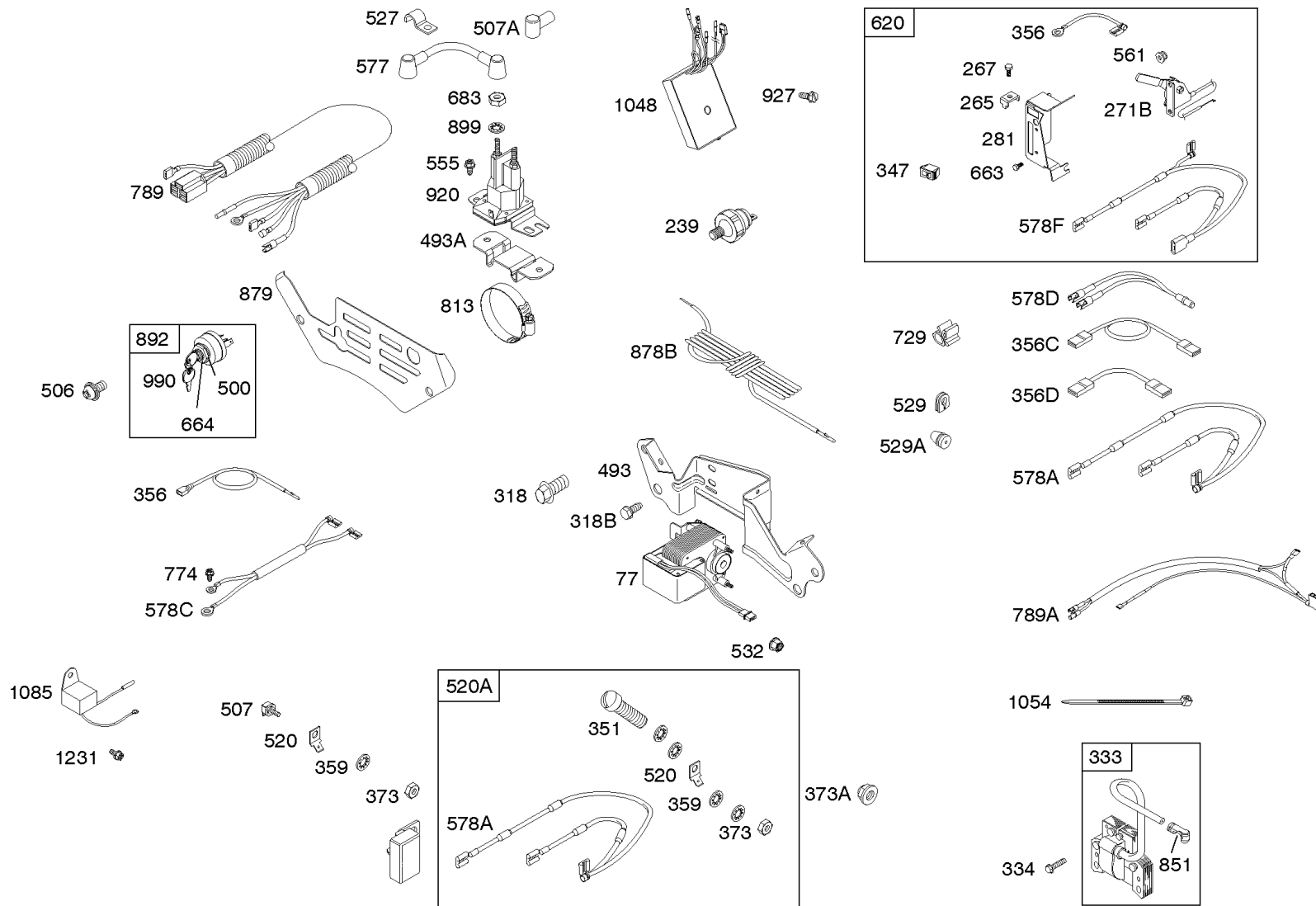
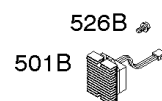
DUAL CIRCUIT		5 - 9 AMP	10 - 16 AMP
474B	1059	474C	474D
878		578	578
<p>NOTE: All stators use a No. 1119 mounting screw. </p>		526A 501A	526 501



Alternator, Ignition, Wires

REF NO	PART NO	QTY	DESCRIPTION
5	809200		Head-Cylinder -(Cylinder #1)
10	690751		Screw -(Breather Assembly) -Used After Code Date 90111400
10	805194		Screw -(Breather Assembly) -Used Before Code Date 90111500
77	690819		Motor-Servo -(Motor-Servo is No Longer Available)(See ref#1463 for Replacement Kit)
239	491657S		SWITCH, Oil Pressure -(Normally Closed)
239	690233		Switch-Oil Pressure -(Lower Pressure to Open)
265	691024		CLAMP, Casing
267	692083		Screw -(Casing Clamp)
271B	691028		Lever-Control
281	690742		Panel-Control
318	806870		Screw -(Mounting Bracket)
318B	690932		Screw -(Mounting Bracket)
333	492341		Armature-Magneto -Used Before Code Date 09100800
333	844548		Armature-Magneto -Used After Code Date 09100700
334	692066		SCREW -(Magneto Armature)
347	691995		Switch-Rocker -(Without Light)
351	691615		Screw -(Ground Terminal)
356	690796		Wire-Stop
356C	807593		Wire-Stop -(Cylinder #2)
356D	807594		Wire-Stop -(Cylinder #1)
359	691077		WASHER -(Ground Terminal)
373	691612		NUT -(Ground Terminal)
373A	690713		Nut -(Ground Terminal)
474D	696579		Alternator -(20 Amp)
493	691518		Bracket-Mounting
493A	691177		BRACKET, Mounting -(Regulator)
500	691086		WASHER -(Key Switch)
501B	691573		Regulator -(20 Amp)
506	690677		SCREW -(Carburetor Cover)
507	691972		INSULATOR
507A	281223		Insulator
520	691084		TERMINAL, Ground
520A	809077		Terminal-Ground -(Ignition Shutoff)

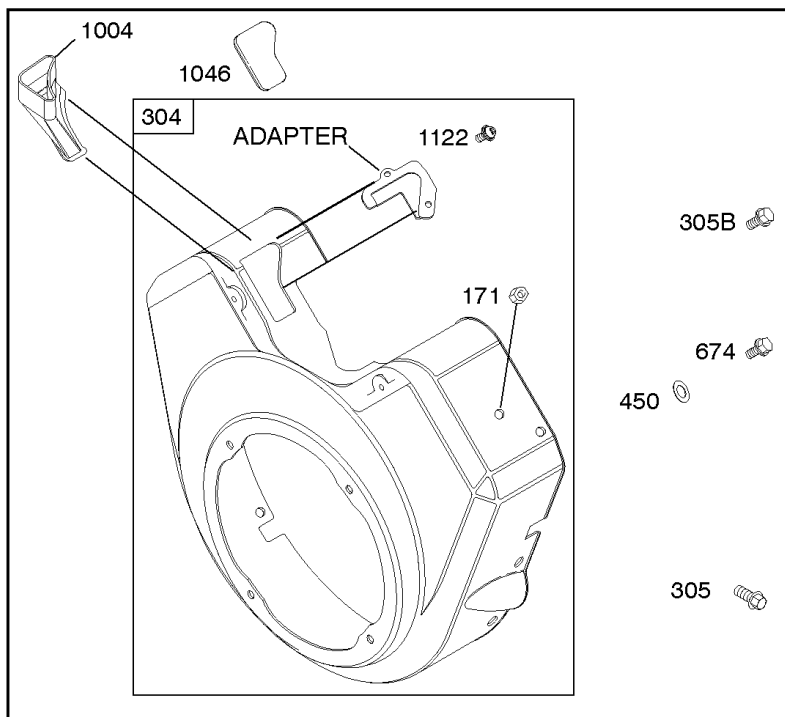
DUAL CIRCUIT		5 - 9 AMP	10 - 16 AMP
474B	1059	474C	474D
877			877C
878		578	578
<p>NOTE: All stators use a No. 1119 mounting screw. </p>		526A	526
		501A	501



Alternator, Ignition, Wires

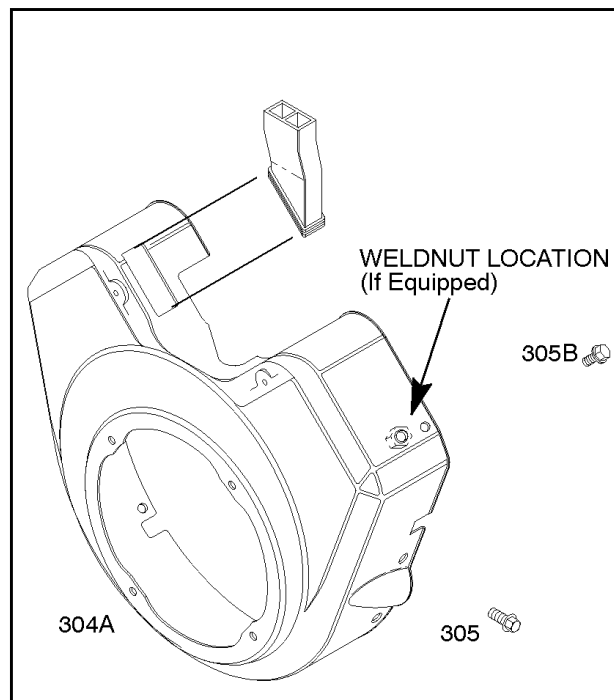
REF NO	PART NO	QTY	DESCRIPTION
526B	691547		Screw -(Regulator) (10-16 Amp Regulated)
527	690423		CLAMP, Tube
529	690744		GROMMET
529A	691527		Grommet
532	691115		Nut -(Mounting Bracket)
555	692067		SCREW -(Starter Solenoid)
561	690713		Nut -(Control Lever)
577	690795		CABLE, Starter
578	692306		WIRE ASSEMBLY
578A	844547		WIRE ASSEMBLY -(Ignition Coil)
578C	690809		Wire Assembly
578F	691999		Wire Assembly -(Ignition Coil)
578D	692961		Wire Assembly
620	494052		Panel-Speed Control
663	692083		Screw -(Control Panel)
664	691087		NUT -(Key Switch)
683	691029		NUT -(Starter Solenoid)
729	690586		CLIP, Wire
774	692067		SCREW -(Stop Wire)
789	691578		Harness-Wiring
813	690635		CLAMP
851	493880S		TERMINAL, Spark Plug
877	393456		WIRE/CONNECTOR, Alternator
877C	399916		Wire/Connector-Alternator
878	398661		Harness-Alternator -(Dual Circuit)
878B	691362		Harness-Alternator
879	-----		Cover-Carburetor -(NO LONGER AVAILABLE)
892	692318		Switch-Key
899	691077		WASHER -(Starter Solenoid)
920	691656		SOLENOID, Starter
927	691116		Screw -(Electronic Governor Module)
990	691959		SET, Key
1048	690669		Module-Electronic Governor
1054	280275		Tie-Cable
1059	698516		KIT, Screw/Washer
1085	809093		Module-Ignition
1119	691552		SCREW -(Alternator)
1231	692067		SCREW -(Ignition Module)

METAL AIR CLEANER BASE



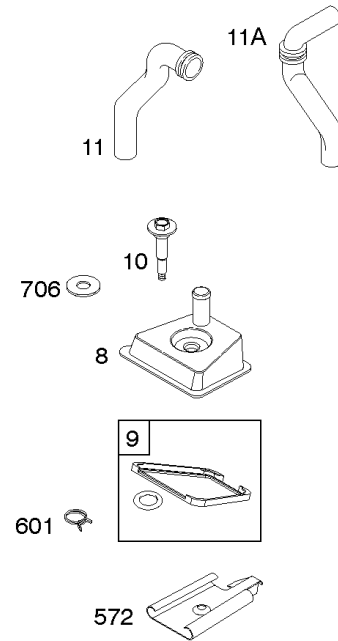
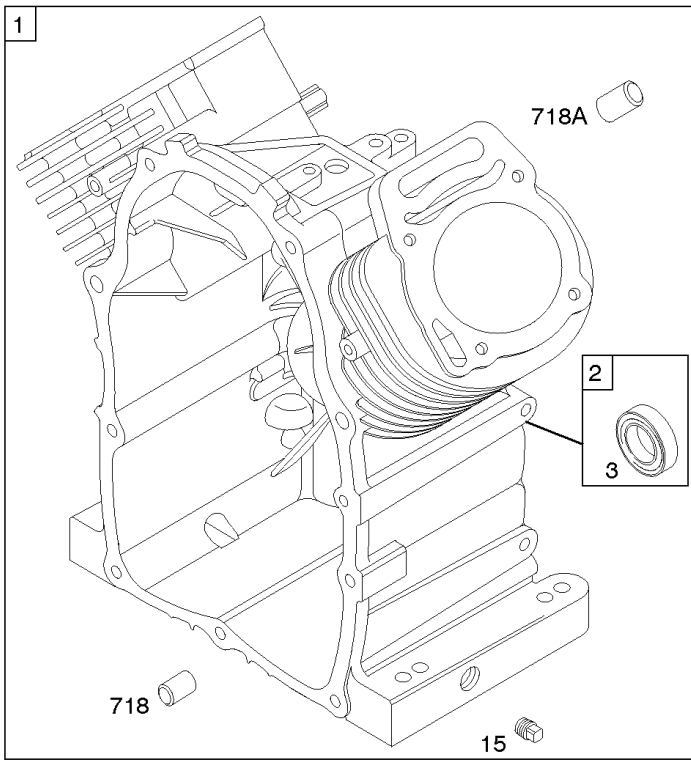
1036 EMISSIONS LABEL

PLASTIC AIR CLEANER BASE



Blower Housing

REF NO	PART NO	QTY	DESCRIPTION
171	810056		Nut -(Air Cleaner)
304	-----		Housing-Blower -(NO LONGER AVAILABLE)
304A	808408		Housing-Blower -(Black)
305	692056		Screw -(Blower Housing) (14 mm Long)
305	807163		Screw -(Blower Housing) (10mm Long)
305	841233		SCREW -(Blower Housing)
305B	692062		SCREW -(Blower Housing) (18mm Long)
450	806497		Washer -(Fuel Tank Bracket)
674	692056		Screw -(Fuel Tank Bracket) (M8 X 14)
1004	690743		Duct-Air -(NO LONGER AVAILABLE)
1036	-----		Label-Emissions -(Available From A Briggs & Stratton Authorized Dealer)
1046	692082		Plug-Blower Housing
1122	93410		Screw -(Blower Housing Adapter)



1036 EMISSIONS LABEL

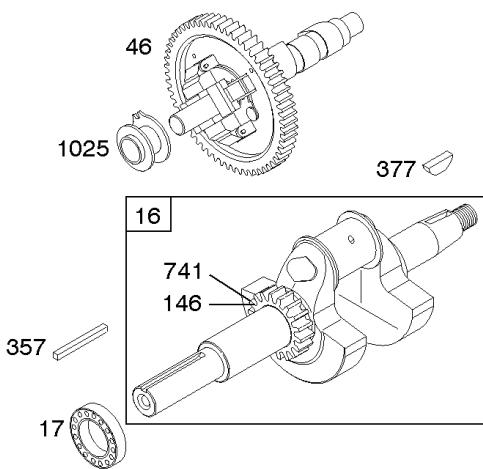
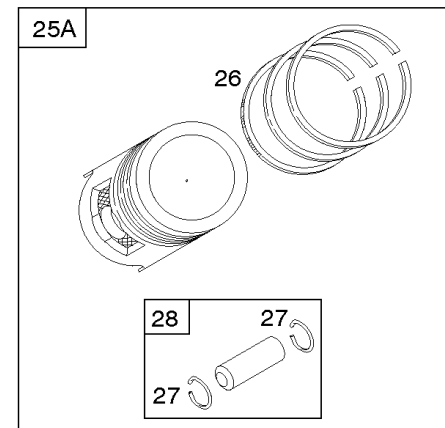
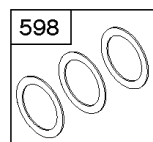
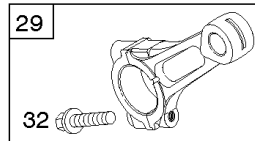
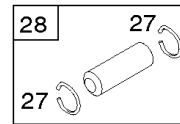
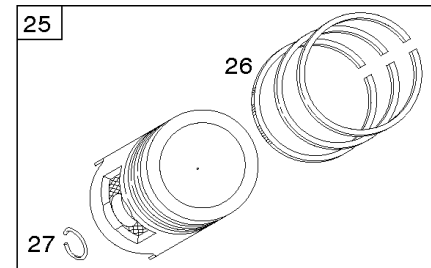
1058 OPERATOR'S MANUAL

1330 REPAIR MANUAL

1319 WARNING LABEL

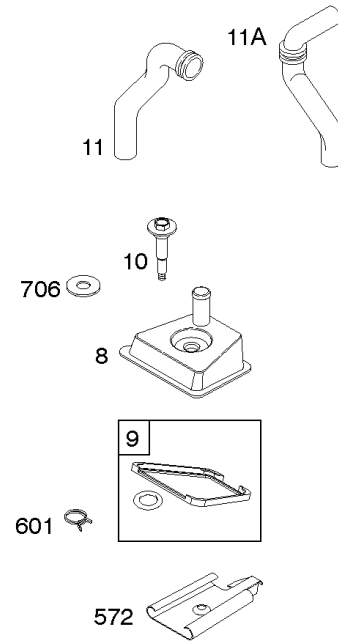
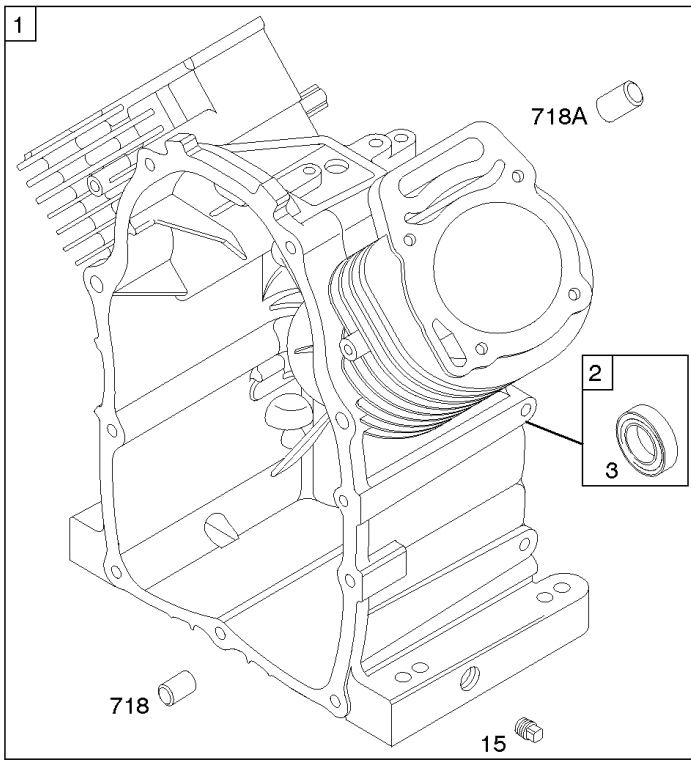
WARNING	
	Read and follow Operating Instructions before running engine.
	Gasoline is flammable. Allow engine to cool at least 2 minutes before refueling.
	Engines emit carbon monoxide. DO NOT run in enclosed area.
	Muffler area temperature may exceed 150°F. Do not touch hot parts.

REQUIRED when replacing parts with warning labels affixed.

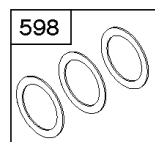
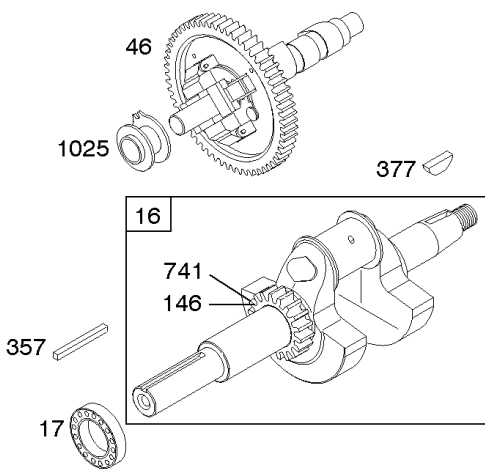
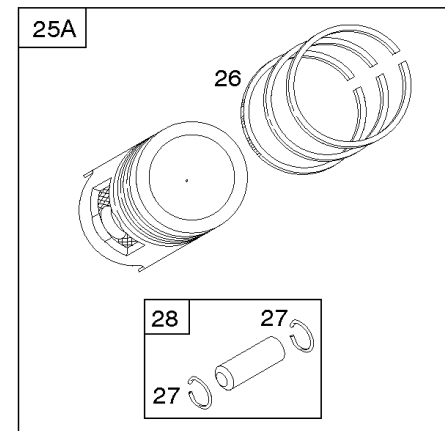
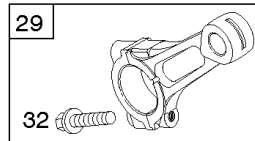
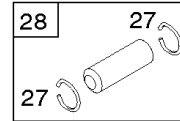
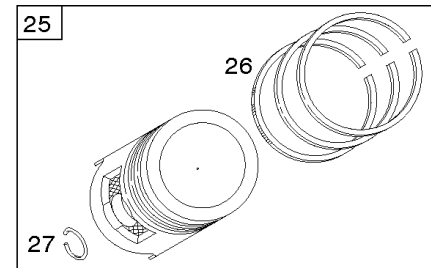


Camshaft, Crankshaft, Cylinder, Piston, Rings, Connecting Rod

REF NO	PART NO	QTY	DESCRIPTION
1	692178		Cylinder Assembly -Used After Code Date 97043000
1	807521		Cylinder Assembly -Used Before Code Date 97050100
2	808534		Kit-Bushing/Seal -(Magneto Side) -Used After Code Date 97043000
2	807687		Kit-Bushing/Seal -(Magneto Side) -Used Before Code Date 97050100
3	805101S		Seal-Oil -(Magneto Side)
8	808984		Breather Assembly
9	844986		Gasket-Breather
10	805194		Screw -(Breather Assembly) -Used Before Code Date 90111500
10	690751		Screw -(Breather Assembly) -Used After Code Date 90111400
11	691556		Tube-Breather
11A	806083S		Tube-Breather
15	690946		PLUG, Oil Drain -(3/8"-18 NPTF-External 7/16" Sq)
15	691680		PLUG, Oil Drain -(3/8"-18 NPTF - Internal 3/8" Sq)
16	808975		Crankshaft
17	843827		Bearing-Ball
25	843952		Piston Assembly -(Standard) -Used After Code Date 07122300
25	843956		Piston Assembly -(Standard) -Used After Code Date 07122300
25A	843951		Piston Assembly -(Standard) -Used Before Code Date 07122400
25A	843958		Piston Assembly -(.020" Oversize) -Used Before Code Date 07122400
26	-----		Ring Set -(For Replacement Rings Order Ref #25A) -Used Before Code Date 07122400
26	843953		Ring Set -(Standard) -Used After Code Date 07122300
26	843957		Ring Set -(.020" Oversize)
27	690683		Lock-Piston Pin
28	807621		Pin-Piston -(Standard) -Used Before Code Date 07122400
28	844541		Pin-Piston -(Standard) -Used After Code Date 07122300
29	807900S		Rod-Connecting -(Standard)
32	690698		Screw -(Connecting Rod)
46	845649		Camshaft

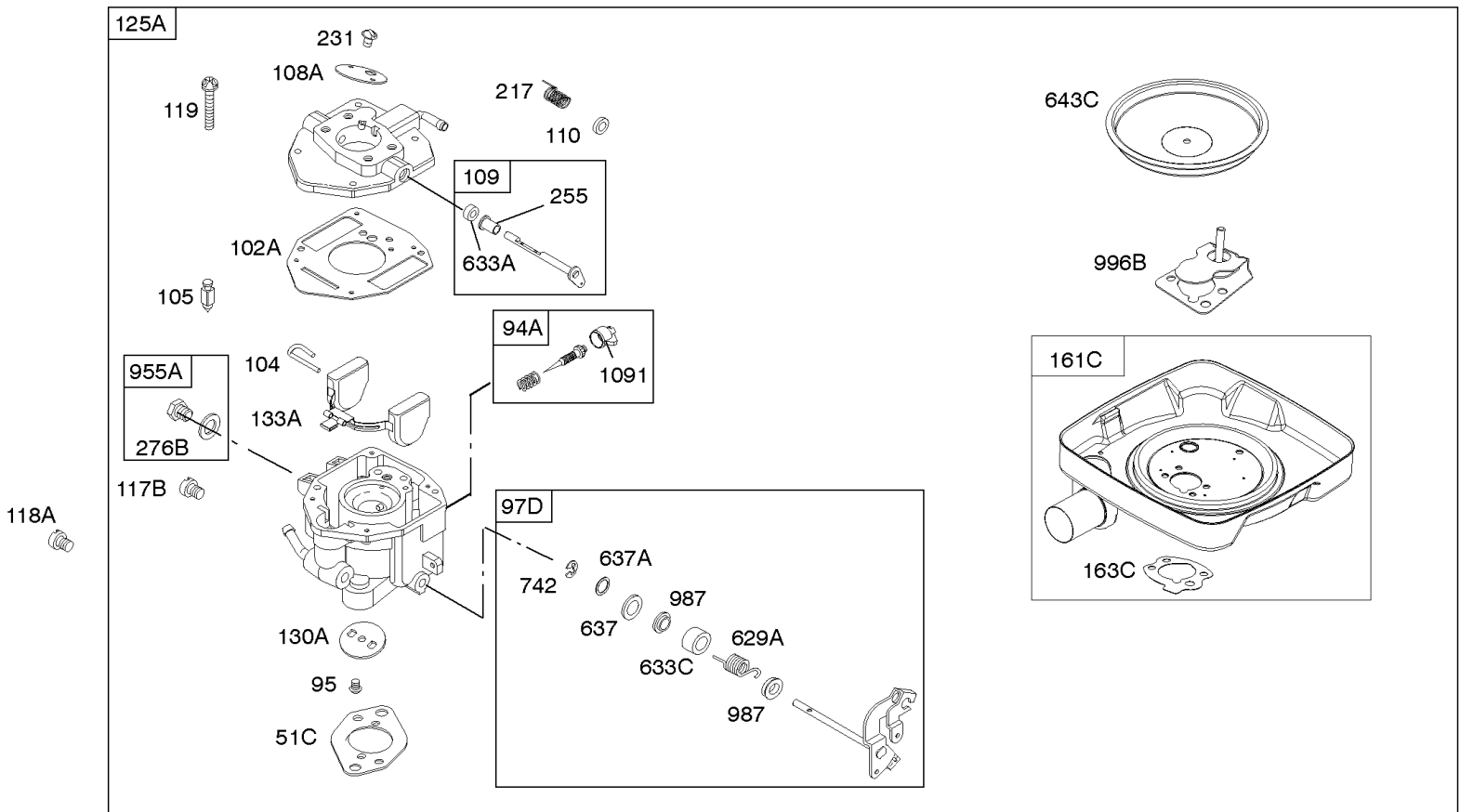
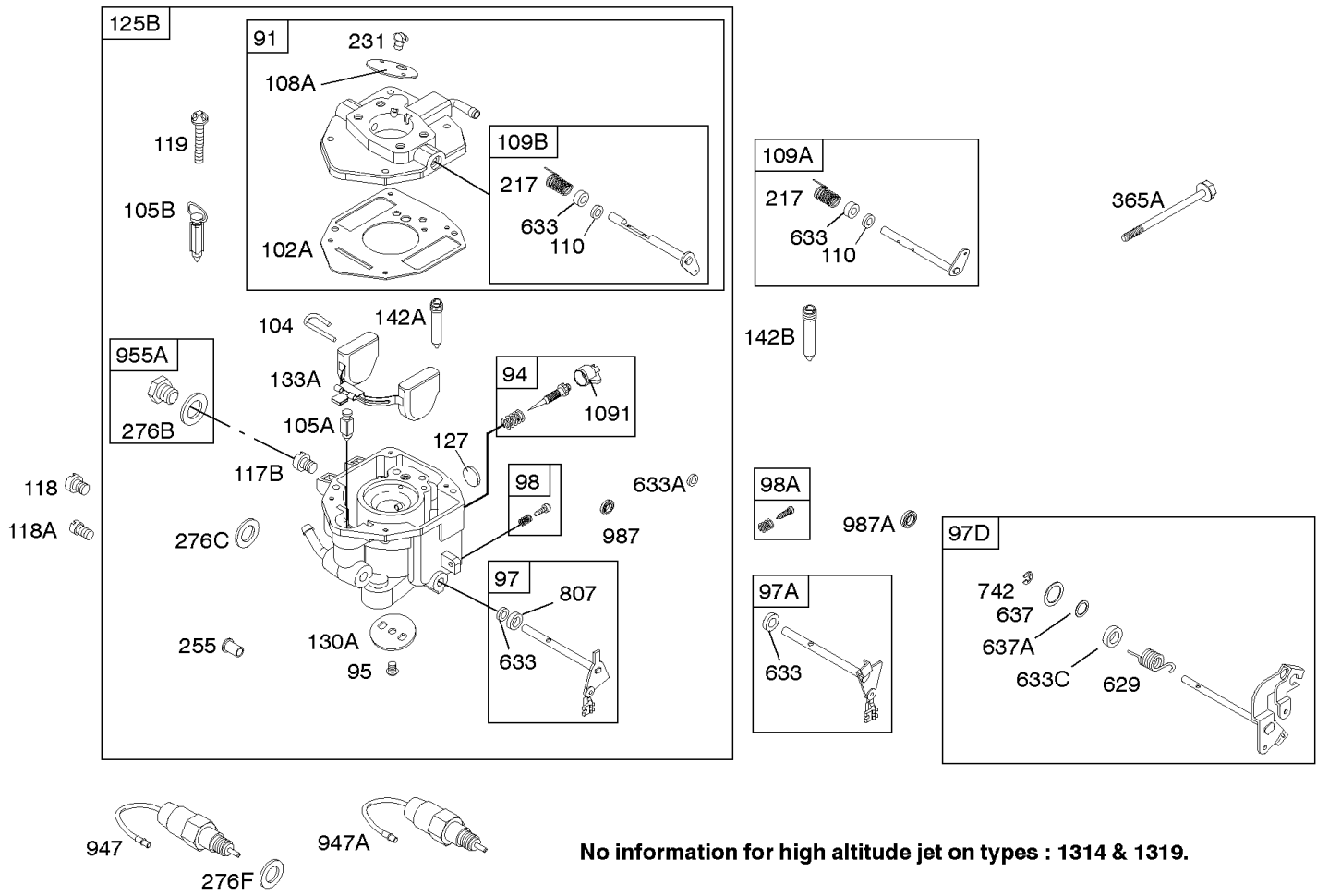


1036 EMISSIONS LABEL								
1058 OPERATOR'S MANUAL								
1330 REPAIR MANUAL								
1319 WARNING LABEL								
WARNING								
<table border="1"> <tr> <td></td> <td>Read and follow Operating Instructions before running engine.</td> </tr> <tr> <td></td> <td>Gasoline is flammable. Allow engine to cool at least 2 minutes before refueling.</td> </tr> <tr> <td></td> <td>Engines emit carbon monoxide. DO NOT run in enclosed area.</td> </tr> <tr> <td></td> <td>Muffler area temperature may exceed 150°F. Do not touch hot parts.</td> </tr> </table>		Read and follow Operating Instructions before running engine.		Gasoline is flammable. Allow engine to cool at least 2 minutes before refueling.		Engines emit carbon monoxide. DO NOT run in enclosed area.		Muffler area temperature may exceed 150°F. Do not touch hot parts.
	Read and follow Operating Instructions before running engine.							
	Gasoline is flammable. Allow engine to cool at least 2 minutes before refueling.							
	Engines emit carbon monoxide. DO NOT run in enclosed area.							
	Muffler area temperature may exceed 150°F. Do not touch hot parts.							
REQUIRED when replacing parts with warning labels affixed.								



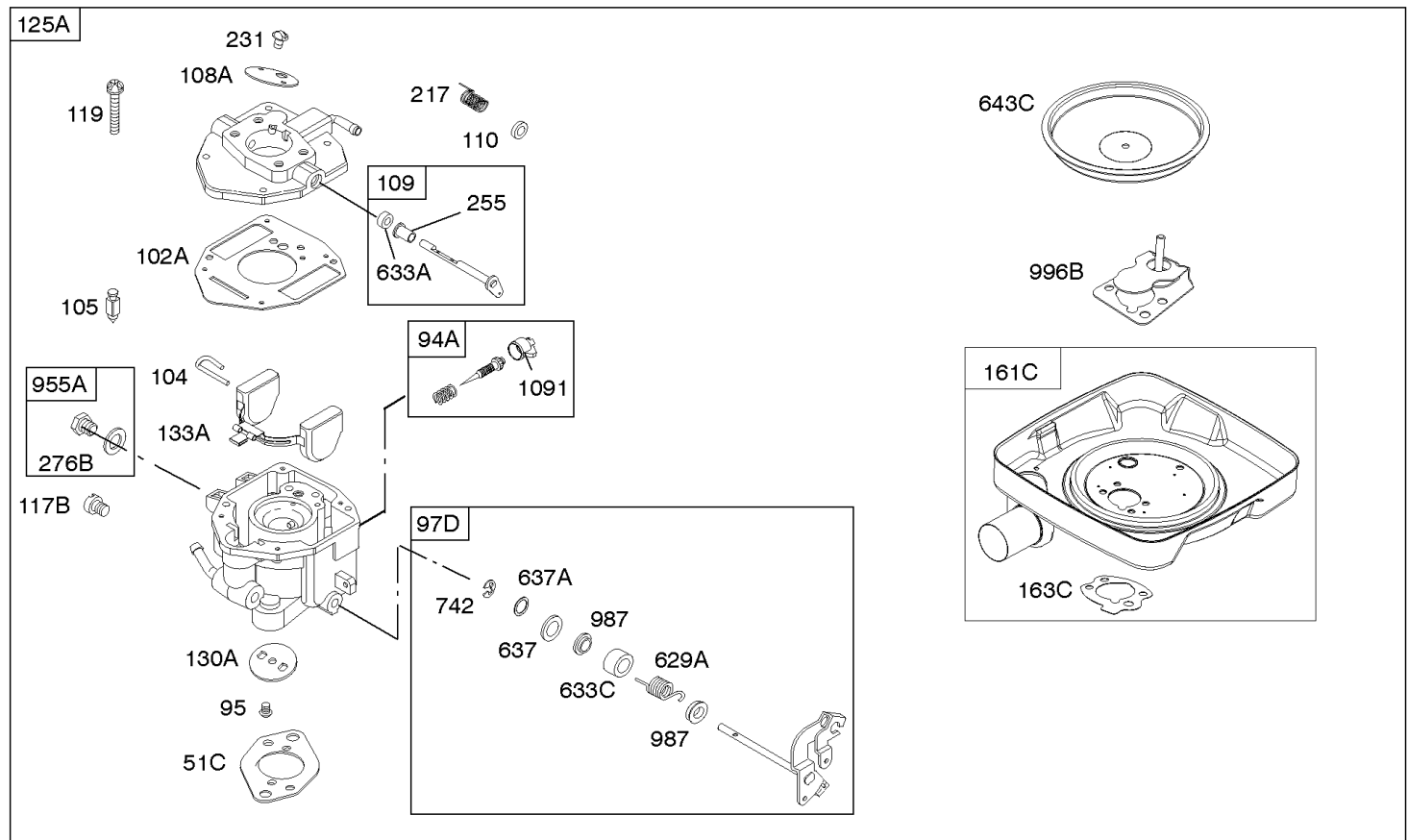
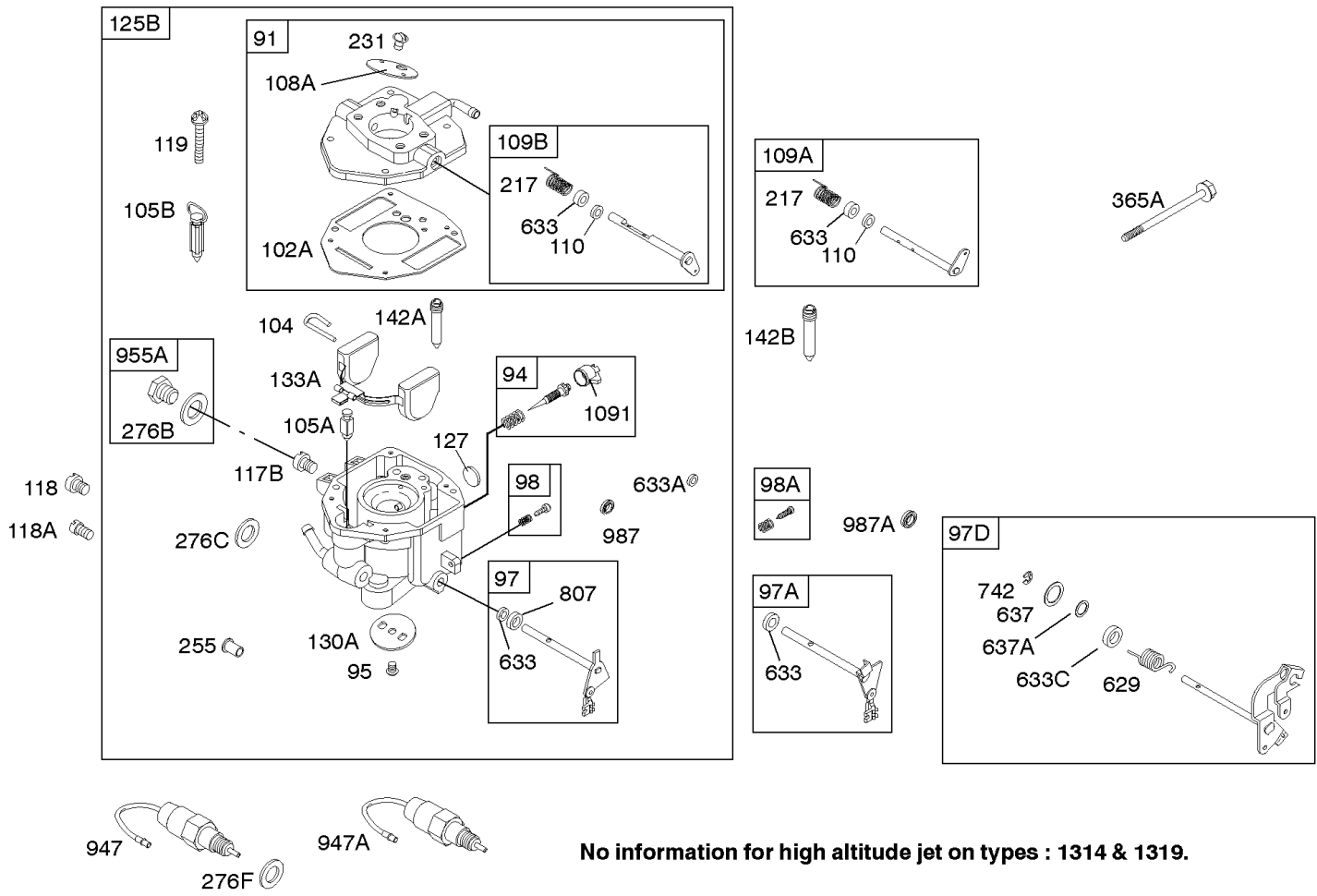
Camshaft, Crankshaft, Cylinder, Piston, Rings, Connecting Rod

REF NO	PART NO	QTY	DESCRIPTION
146	691639		KEY, Woodruff
357	691483		KEY, Drive Pulley
377	808095		Key-Woodruff
572	690686		Baffle-Breather -Used Before Code Date 04060100
598	807625		Shim-End Play -(Crankshaft or Camshaft Bearing)
601	691038		CLAMP, Hose
706	805484		Washer -(Breather Assembly) -Used Before Code Date 90111500
718	806469		Pin-Locating
718A	805102		Pin-Locating -Used Before Code Date 90091100
741	691530		Gear-Timing
1025	690689		Spool-Governor
1036	-----		Label-Emissions -(Available From A Briggs & Stratton Authorized Dealer)
1058	276344TRI		Operator's Manual
1319	794467		LABEL, Warning
1330	272144		Repair Manual



Carburetor

REF NO	PART NO	QTY	DESCRIPTION
51C	691694		GASKET, Intake -(Carburetor To Manifold)
91	809208		Body-Upper Carburetor
94	842870		Kit-Idle Mixture
95	690718		SCREW -(Throttle Valve)
97	807720		Shaft-Throttle -Used Before Code Date 00071200
97	809007		KIT, Throttle Shaft -Used After Code Date 00071100
98	808177		KIT, Idle Speed
102A	692077		GASKET, Carburetor Body
104	690723		PIN, Float Hinge
105	797410		VALVE, Float Needle
105A	805620		Valve-Float Needle -(Gravity Feed Carburetor)
105B	808798		Valve-Float Needle
108A	690719		Valve-Choke
109B	809096		Shaft-Choke
110	806861		Washer -(Choke Shaft)
117B	842238		Jet-Main -(Standard)
118	842841		Jet-Main -(High Altitude) (5000 Feet)
118	842842		Jet-Main -(High Altitude) (9000 Feet)
119	842761		Screw -(Upper Carburetor Body to Lower Carburetor Body)
125B	842235		Carburetor
127	690727		PLUG, Welch
130A	690726		VALVE, Throttle
133A	806961		Float-Carburetor
142A	690725		Nozzle-Carburetor
217	806862		Spring-Choke Return
231	690718		SCREW -(Choke Valve)
255	690721		BUSHING, Choke Shaft
276B	690724		Washer-Sealing -(Carburetor Plug)
276F	693497		Washer-Sealing
365A	690711		Screw -(Carburetor)
629	806717		Spring-Throttle Return
629A	806716		Spring-Throttle Return
633	806131		SEAL, Choke/Throttle Shaft
633A	690722		SEAL, Choke/Throttle Shaft
637	806999		Washer -(Throttle Shaft)
637A	807000		Washer -(Throttle Shaft)
742	807001		Retainer-E Ring
807	805557		Spacer-Throttle
947	842239		Solenoid-Fuel
955A	808176		Plug-Carburetor



Carburetor

REF NO	PART NO	QTY	DESCRIPTION
987	807002		Seal-Throttle Shaft
987A	806864		Seal-Throttle Shaft
1091	691516		Cap-Limiter

121 CARBURETOR OVERHAUL KIT

94 1091

102A

104 255

105 276B

127 633

142A 633A

807

121A CARBURETOR OVERHAUL KIT

94 1091

102A

104 255

105 276B

105A 633

127 633A

142A 807

121F CARBURETOR OVERHAUL KIT

51C

94 1091

102A

104 276B

105 633

127 633A

142B 987A

358A ENGINE GASKET SET

3

7 **GRAPHOIL®**

9

12

20

276A

31A

439

468

51A

691

63

868

883

988

1022

1095B VALVE GASKET SET

7 **GRAPHOIL®**

7A **METAL**

51A

276A

868

883

1022

Carburetor Overhaul Kit, Engine & Valve Gasket Sets

REF NO	PART NO	QTY	DESCRIPTION
3	805101S		Seal-Oil -(Magneto Side)
7	806085S		Gasket-Cylinder Head -(Graphoil) -Used After Code Date 96033100
7A	807986		Gasket-Cylinder Head -(Metal) -Used Before Code Date 96040100
9	844986		Gasket-Breather
12	845254		Gasket, Crankcase
20	805049S		Seal-Oil -(PTO Side)
51A	692035		Gasket-Intake -(Manifold to Cylinder Head)
51C	691694		GASKET, Intake -(Carburetor To Manifold)
94	842870		Kit-Idle Mixture
102A	692077		GASKET, Carburetor Body
104	690723		PIN, Float Hinge
105	797410		VALVE, Float Needle
105A	805620		Valve-Float Needle -(Gravity Feed Carburetor)
121	842877		Kit-Carb Overhaul
127	690727		PLUG, Welch
142A	690725		Nozzle-Carburetor
255	690721		BUSHING, Choke Shaft
273	690681		Seal-O Ring -(Oil Pump)
276A	691766		Washer-Sealing -(Cylinder Head) -Used Before Code Date 01120300
276A	807085		Washer-Sealing -(Cylinder Head) -Used After Code Date 01120200
276B	690724		Washer-Sealing -(Carburetor Plug)
358A	808390		Gasket Set-Engine -Used Before Code Date 01120300
358A	808704		Gasket Set-Engine -Used After Code Date 01120200
439	692154		O-RING, Oil Gallery -(Crankcase Cover/Sump or Cylinder Assembly) -Used After Code Date 97043000
439	805198		O Ring-Oil Gallery -(Crankcase Cover/Sump or Cylinder Assembly) -Used Before Code Date 97050100
468	690690		SEAL, O-Ring -(Oil Pump Screen)
633	806131		SEAL, Choke/Throttle Shaft
633A	690722		SEAL, Choke/Throttle Shaft
691	842826		Seal-Governor Shaft
807	805557		Spacer-Throttle
868	691963		SEAL, Valve
883	691613		GASKET, Exhaust
987A	806864		Seal-Throttle Shaft
988	692063		Gasket-Oil Adapter
1022	806039S		Gasket-Rocker Cover
1091	691516		Cap-Limiter

121 CARBURETOR OVERHAUL KIT

94 1091

102A

104 255

105 276B

127 633

142A 633A

807

121A CARBURETOR OVERHAUL KIT

94 1091

102A

104 255

105 276B

105A 633

127 633A

142A 807

121F CARBURETOR OVERHAUL KIT

51C 104 276B

94 1091 105 633

127 633A

102A 142B 987A

358A ENGINE GASKET SET

3

7 **GRAPHOIL®**

9

12

20 276A 883

439

51A 468 988

691

633 868 1022

1095B VALVE GASKET SET

7 **GRAPHOIL®**

7A **METAL**

51A

276A

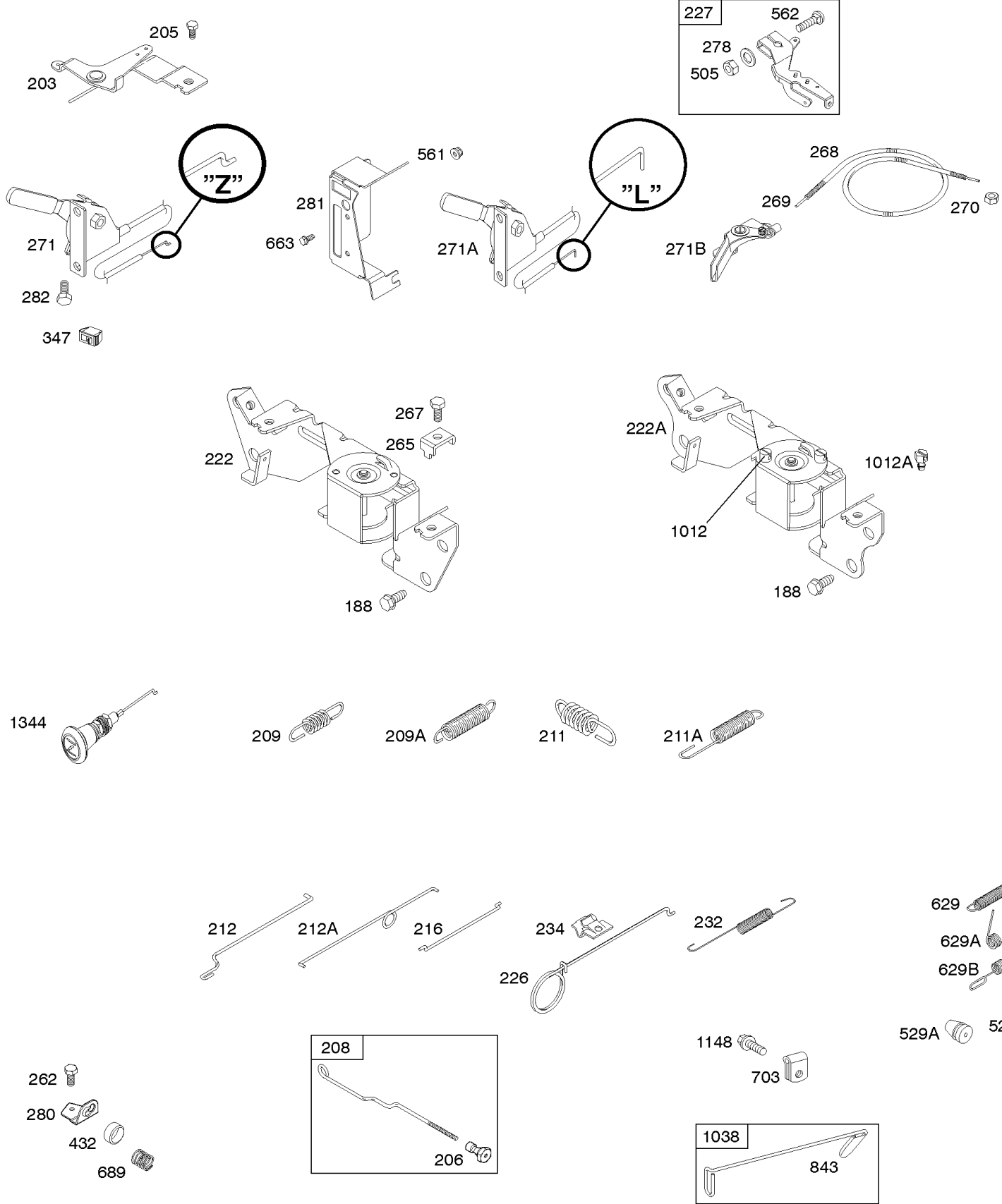
868

883

1022

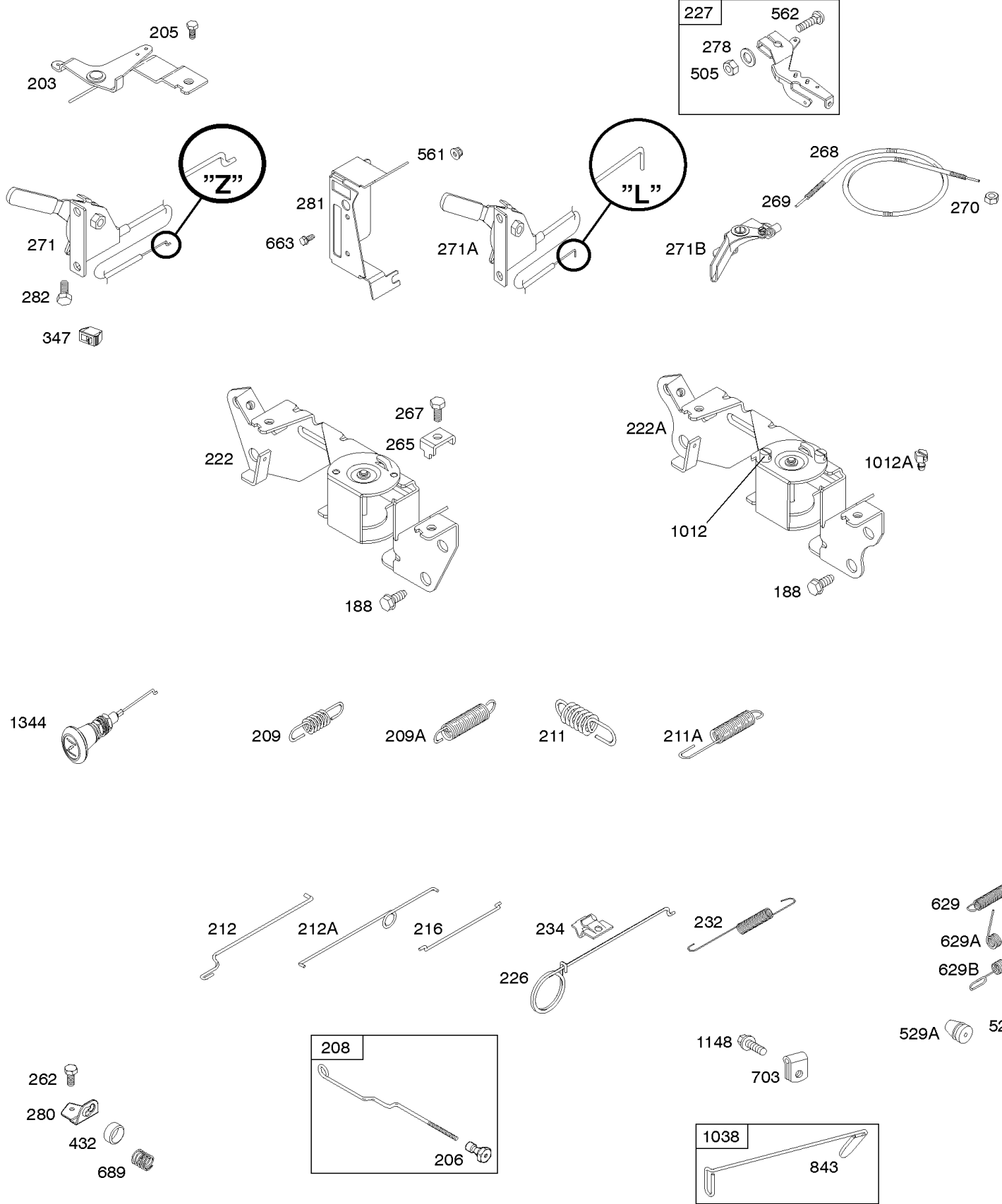
Carburetor Overhaul Kit, Engine & Valve Gasket Sets

REF NO	PART NO	QTY	DESCRIPTION
1095B	808392		Gasket Set-Valve -Used Before Code Date 01120300
1095B	842723		Gasket Set-Valve -Used After Code Date 01120200



Controls, Springs

REF NO	PART NO	QTY	DESCRIPTION
188	692056		Screw -(Control Bracket)
203	690923		BRACKET, Control
205	692083		Screw -(Bell Crank)
206	691244		NUT, Governor Adjusting
208	808453		ROD, Governor Control
209	690716		Spring-Governor
211	691505		Spring-Governed Idle
212	690712		LINK, Throttle
212A	691519		Link-Throttle
216	690705		LINK, Choke
222A	844169		Bracket-Control
226	692075		Rod-Choke
227	690236		LEVER, Governor Control
232	692073		SPRING, Governor Link
234	691723		Clip-Control Rod
262	692083		Screw -(Rod Bracket)
265	691024		CLAMP, Casing
267	692083		Screw -(Casing Clamp)
268	691025		CASING, Control Wire -(Cut To Required Length)
269	691026		WIRE, Control -(Cut To Required Length)
270	691027		NUT -(Control Wire Casing)
271	692541		Lever-Control -(Cable Wire With "Z" Formed End)
271A	692105		Lever-Control -(Cable Wire With "L" Formed End)
271B	691028		Lever-Control
278	842122		WASHER -(Governor Control Lever)
280	691526		BRACKET, Rod
281	690742		Panel-Control
282	692083		Screw -(Control Lever)
347	691995		Switch-Rocker -(Without Light)
432	691509		CAP, Spring
505	690238		Nut -(Governor Control Lever)
529	690744		GROMMET
529A	691527		Grommet
561	690713		Nut -(Control Lever)
562	690239		BOLT -(Governor Control Lever)
629	806717		Spring-Throttle Return
629A	806716		Spring-Throttle Return
663	692083		Screw -(Control Panel)
689	691272		SPRING, Friction
703	94484		Clip

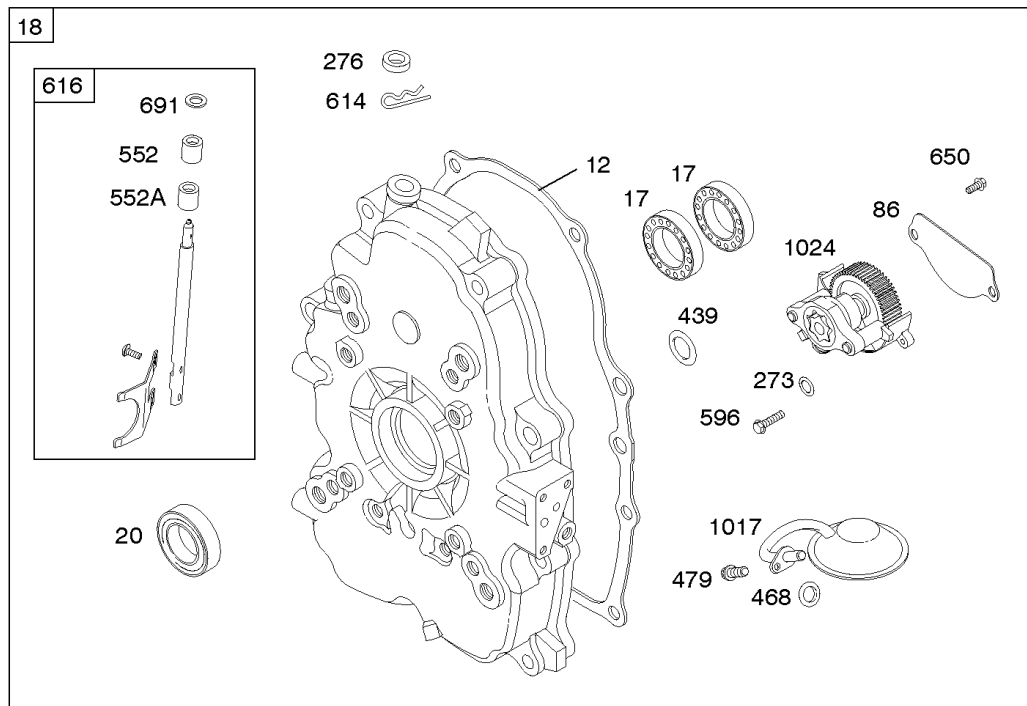
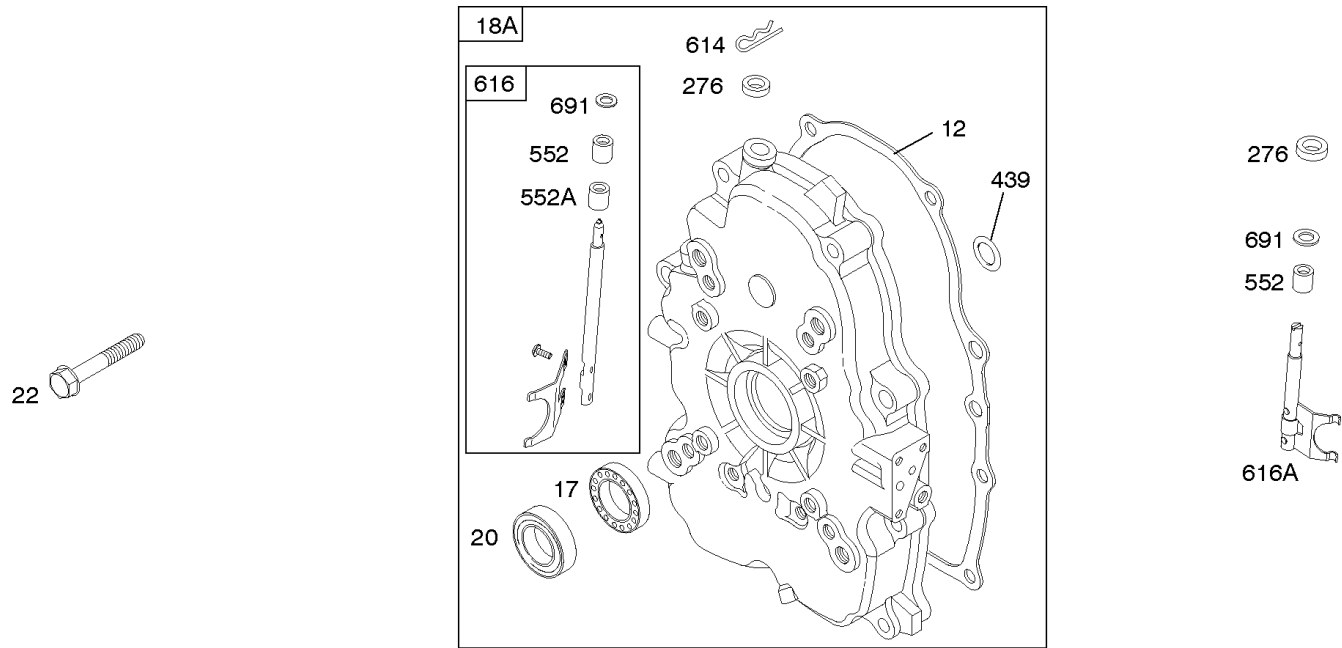
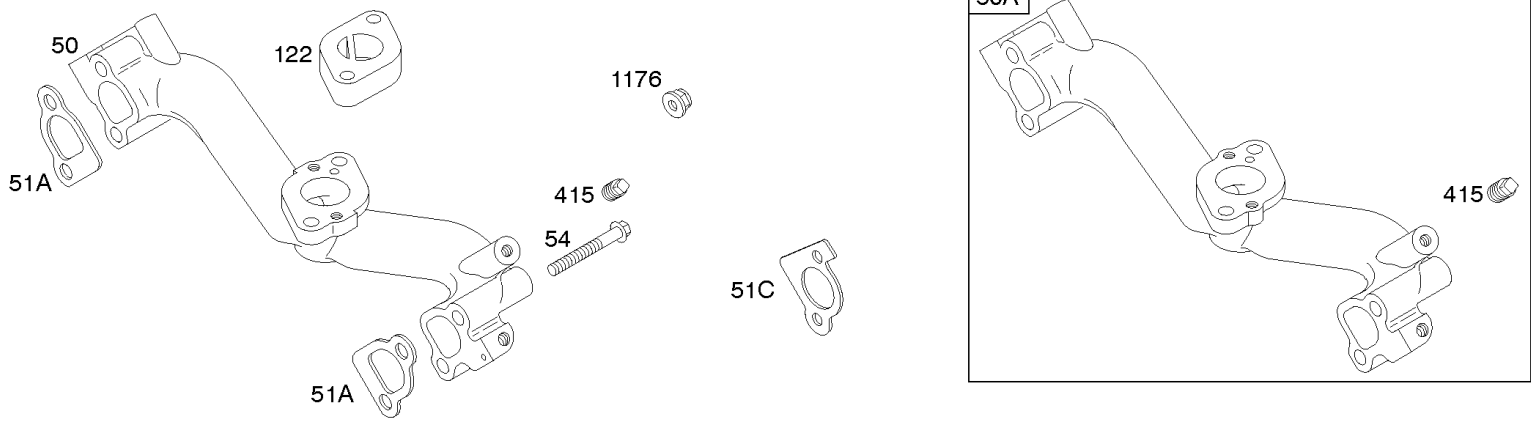


Controls, Springs

REF NO	PART NO	QTY	DESCRIPTION
843	691322		Sleeve-Lever
1012	690592		Retainer-Link
1012A	691521		Retainer-Link
1038	492374		Rod-Fuel Shut Off
1148	94504		Screw -(Clip)

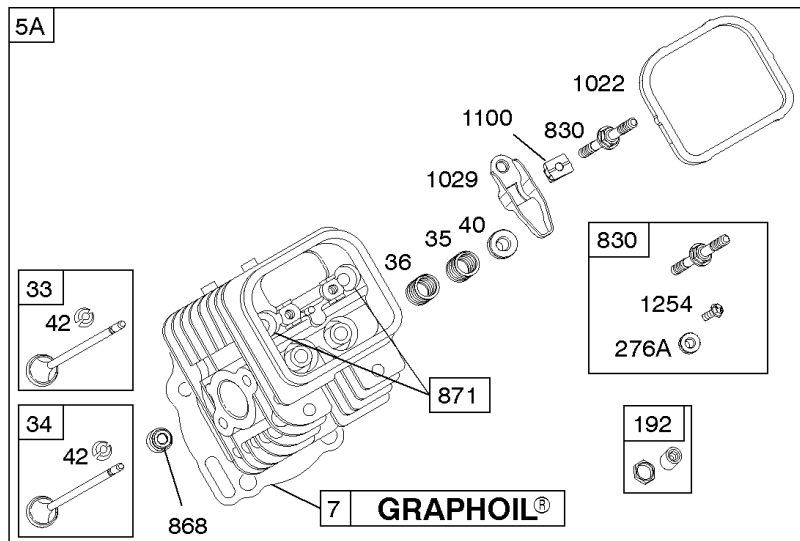
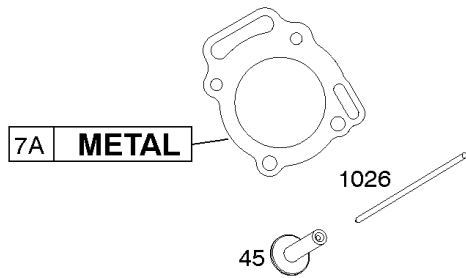
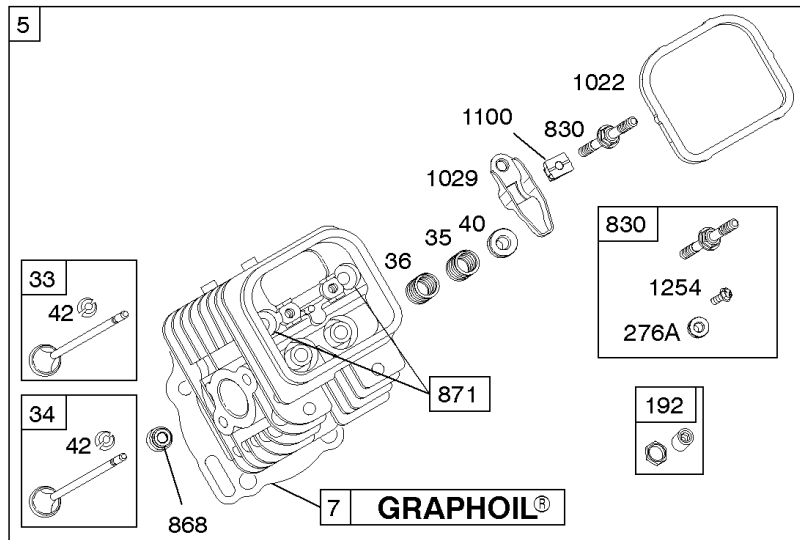
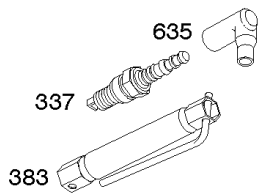
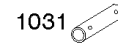
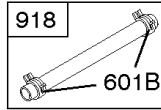
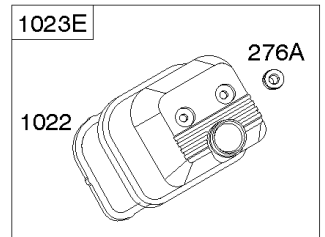
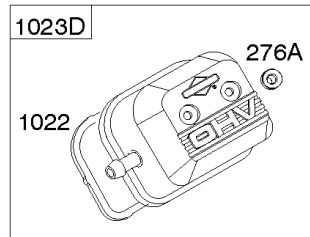
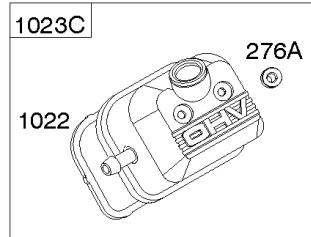
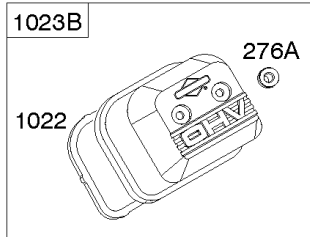
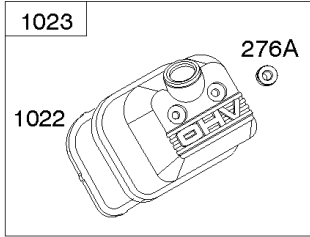
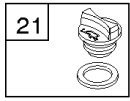
Crankcase Cover, Intake Manifold

Mfg. No: 303447-1348-E1



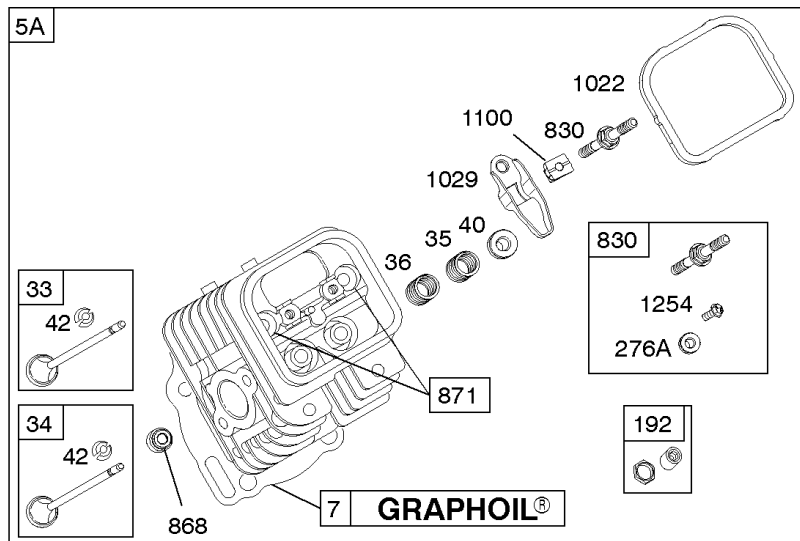
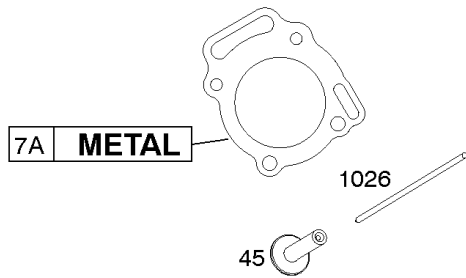
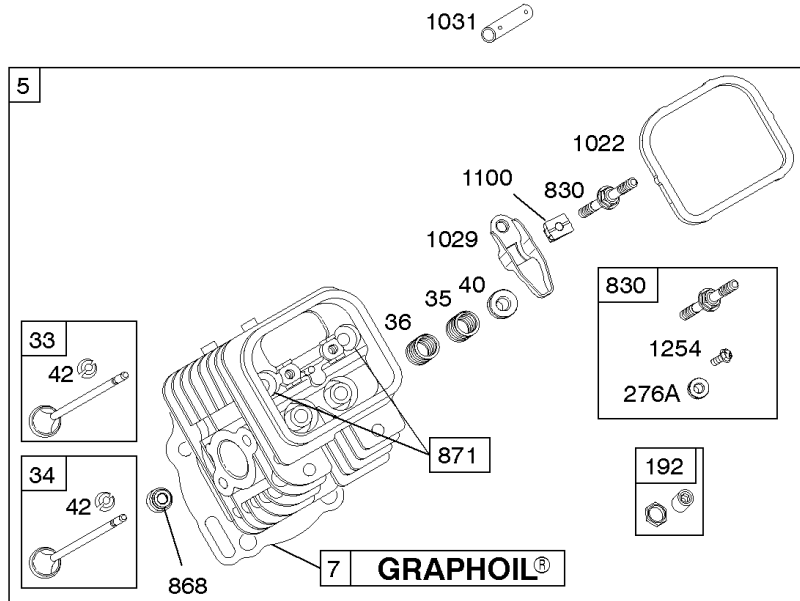
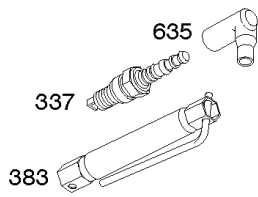
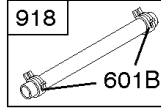
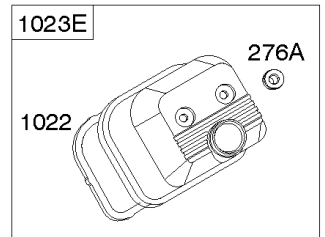
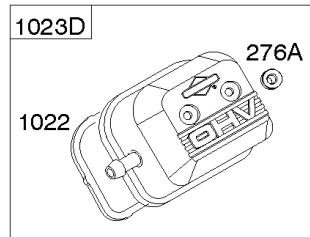
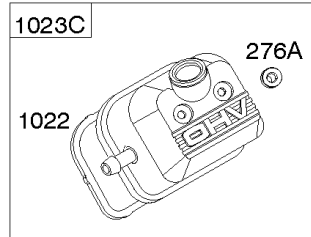
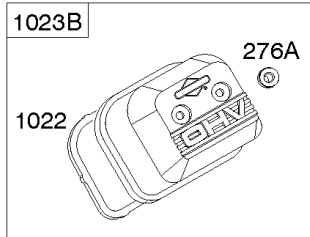
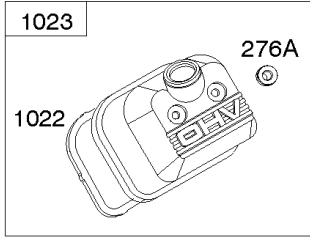
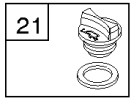
Crankcase Cover, Intake Manifold

REF NO	PART NO	QTY	DESCRIPTION
12	845254		Gasket, Crankcase
17	843827		Bearing-Ball
18	844588		Cover-Crankcase
20	805049S		Seal-Oil -(PTO Side)
22	807362		SCREW -(Crankcase Cover/Sump)
50	690754		Manifold-Intake
51A	692035		Gasket-Intake -(Manifold to Cylinder Head)
51C	691694		GASKET, Intake -(Carburetor To Manifold)
54	690676		Screw -(Intake Manifold)
86	690745		COVER, Gear
122	690691		SPACER, Carburetor
273	690681		Seal-O Ring -(Oil Pump)
276	690704		Washer-Sealing
415	794903		PLUG -(Intake Manifold)
439	805198		O Ring-Oil Gallery -(Crankcase Cover/Sump or Cylinder Assembly) -Used Before Code Date 97050100
439	692154		O-RING, Oil Gallery -(Crankcase Cover/Sump or Cylinder Assembly) -Used After Code Date 97043000
468	690690		SEAL, O-Ring -(Oil Pump Screen)
479	807084		SCREW -(Oil Pump Screen)
552	690701		Bushing-Governor Crank -(Output End)
552A	806686		Bushing-Governor Crank -(Flanged)
596	691492		SCREW -(Oil Pump)
614	691550		PIN, Cotter
616	806685		Crank-Governor -Used After Code Date 99072000
616A	690899		Crank-Governor -Used Before Code Date 99072100
650	841233		SCREW -(Oil Deflector)
691	842826		Seal-Governor Shaft
1017	690900		Screen-Oil Pump
1024	843825		Pump-Oil -Used After Code Date 07101400
1024	-----		Pump-Oil -(Oil Pump is No Longer Available) (See Reference 18 for correct replacement Crankcase Cover) -Used Before Code Date 07101500
1176	842067		NUT -(Exhaust Manifold)



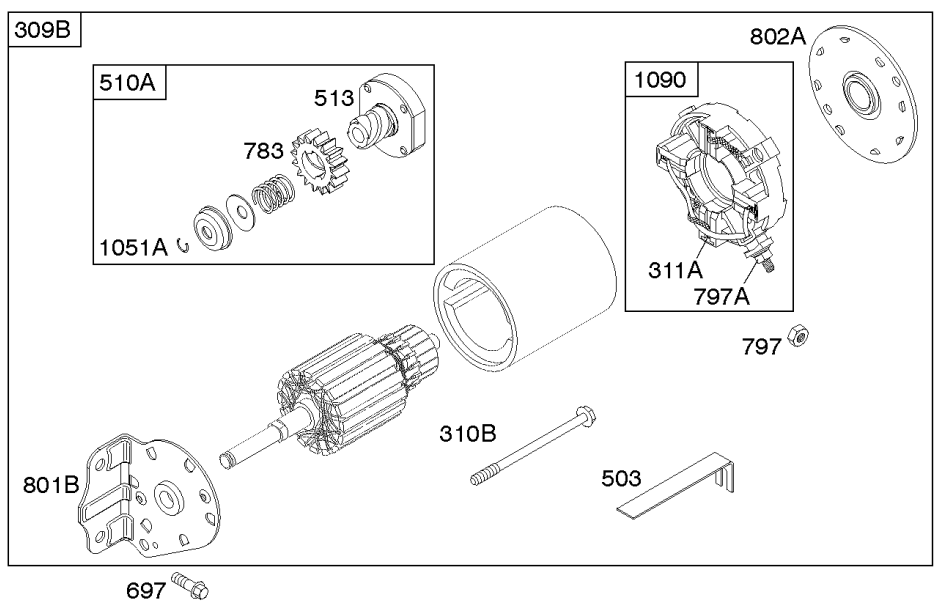
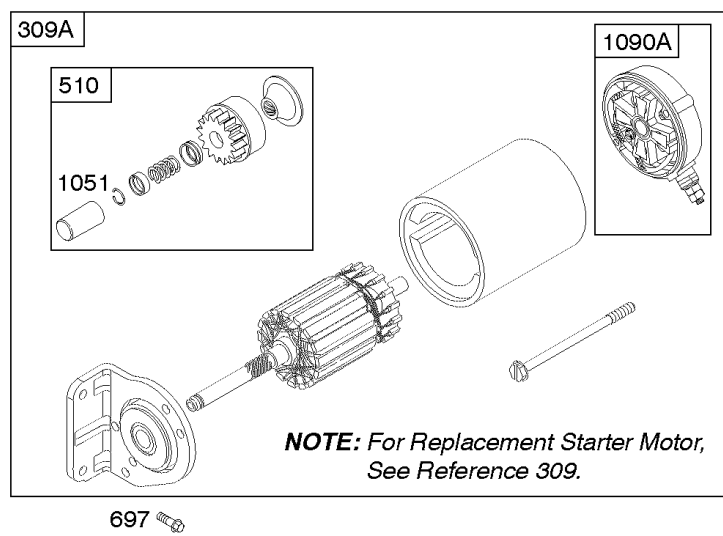
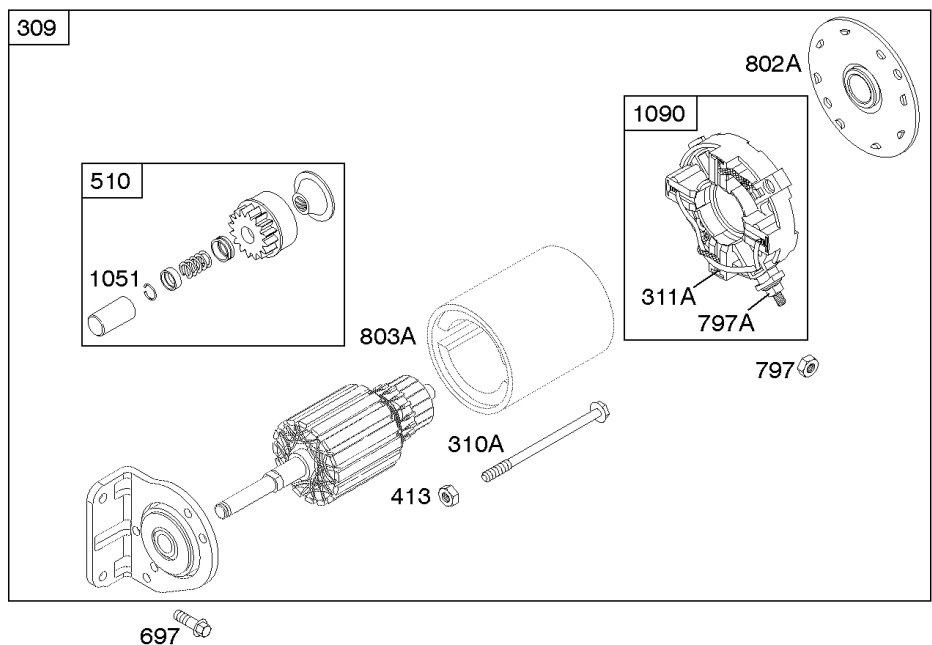
Cylinder Head, Valves, Rocker Covers

REF NO	PART NO	QTY	DESCRIPTION
5	809200		Head-Cylinder -(Cylinder #1)
5A	845716		Head-Cylinder -(Cylinder #2)
6	805193		Washer -(Cylinder Head) -Used Before Code Date 94050100
6	842122		WASHER -(Cylinder Head) -Used After Code Date 94043000
7	806085S		Gasket-Cylinder Head -(Graphoil) -Used After Code Date 96033100
7A	807986		Gasket-Cylinder Head -(Metal) -Used Before Code Date 96040100
13	692059		Screw -(Cylinder Head)
21	809500		Cap-Oil Fill
33	807681		Valve-Exhaust
34	807680		Valve-Intake
35	692084		Spring-Valve -(Intake)
36	692084		Spring-Valve -(Exhaust)
40	692058		Retainer-Valve
42	807683		RETAINER, Valve
45	843379		Tappet-Valve
192	807623		Adjuster-Rocker Arm
276A	691766		Washer-Sealing -(Cylinder Head) -Used Before Code Date 01120300
276A	807085		Washer-Sealing -(Cylinder Head) -Used After Code Date 01120200
337	491055S		PLUG, Spark
383	19576S		WRENCH, Spark Plug
601B	791850		CLAMP, Hose
635	692076		BOOT, Spark Plug
812	692055		Nut -(Rocker Cover) -Used Before Code Date 01120300
830	809157		Stud-Rocker Arm -Used After Code Date 96033100
830	-----		Stud-Rocker Arm -(NO LONGER AVAILABLE) -Used Before Code Date 96040100
868	691963		SEAL, Valve
871	692057		Bushing-Valve Guide
918	791880		HOSE, Vacuum -(Rocker Cover To Impulse Pump)(Cut To Required Length)
1022	806039S		Gasket-Rocker Cover
1023	843749		Cover-Rocker
1023B	691494		Cover-Rocker
1023C	690910		Cover-Rocker
1023E	691531		Cover-Rocker
1023D	691558		Cover-Rocker
1026	691758		Rod-Push -(Aluminum)



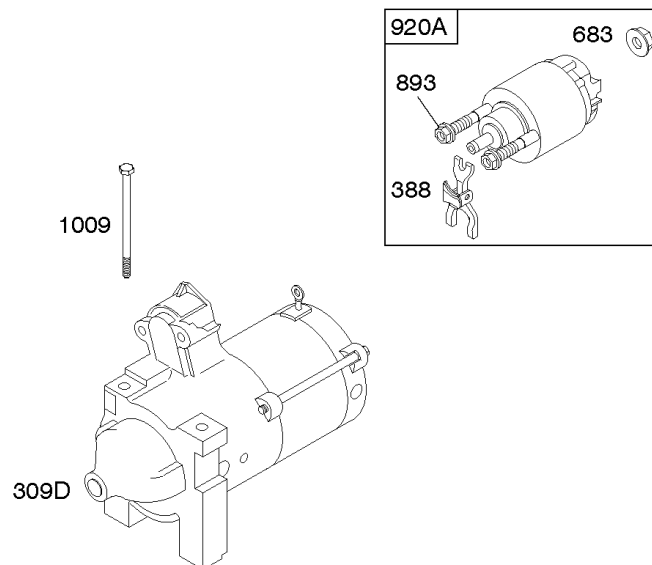
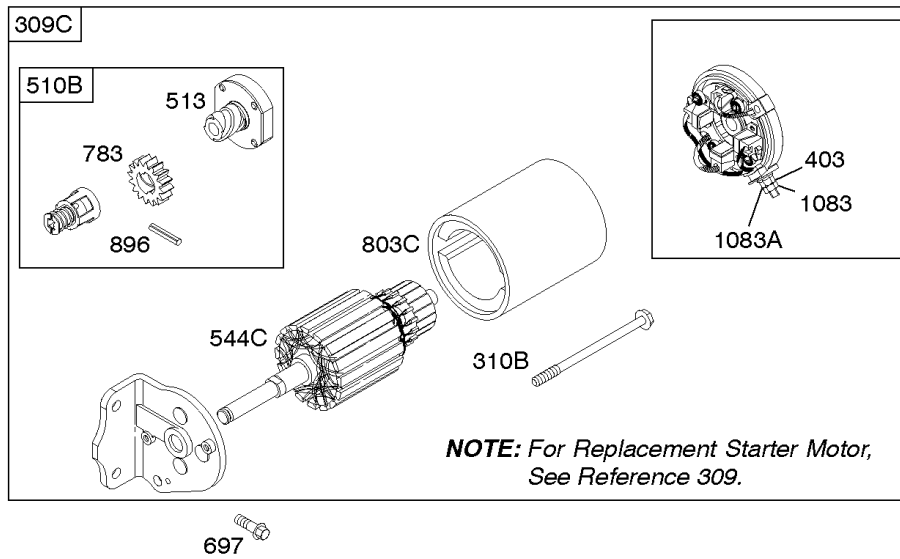
Cylinder Head, Valves, Rocker Covers

REF NO	PART NO	QTY	DESCRIPTION
1026	691836		Rod-Push -(Steel)
1029	807323		ARM, Rocker
1031	690693		Shaft-Rocker Arm
1100	791959		PIVOT, Rocker Arm
1254	807084		SCREW -(Rocker Arm Stud) (Used on Stud For Rocker Cover) -Used After Code Date 01120200



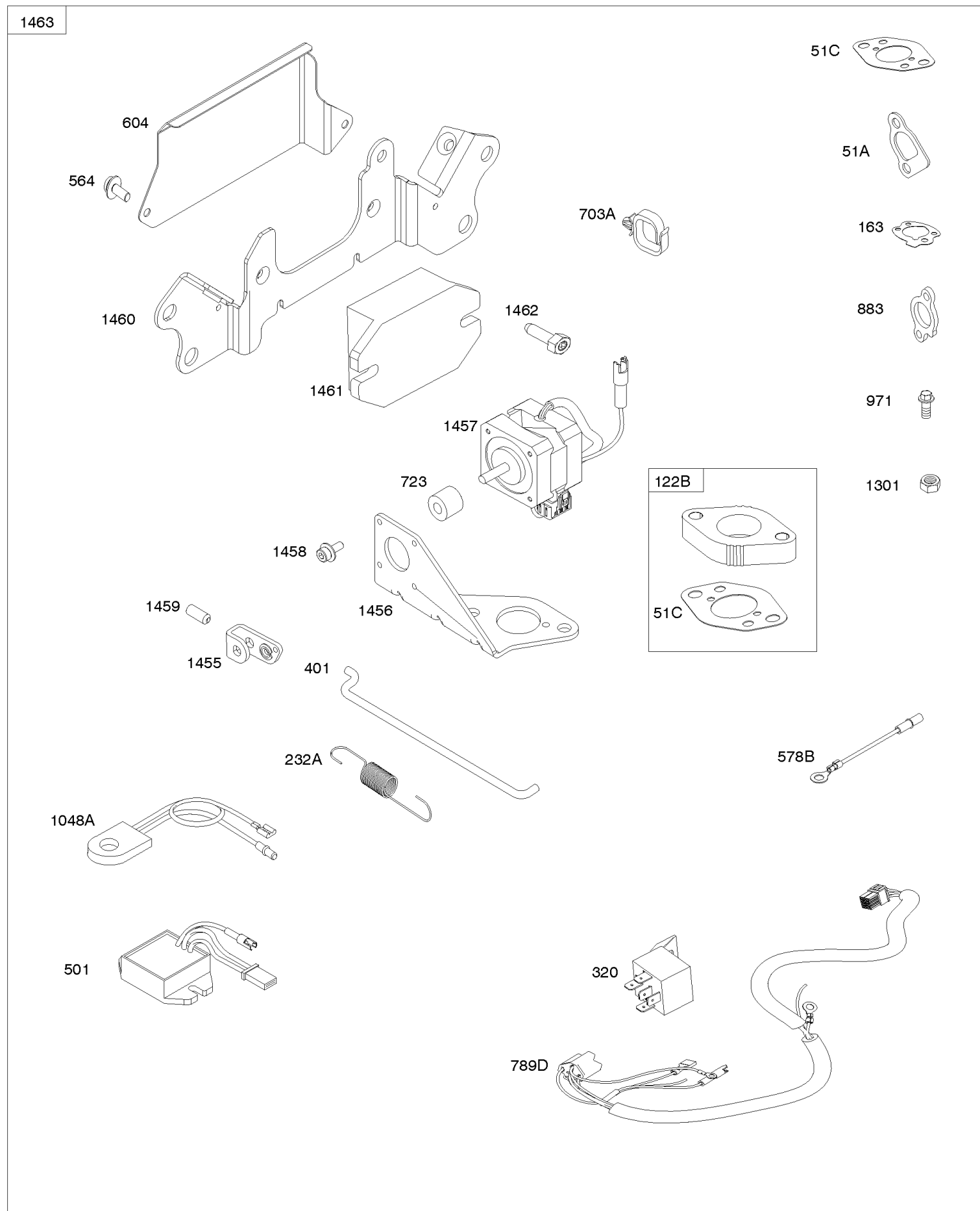
Electric Starter #1

REF NO	PART NO	QTY	DESCRIPTION
309	691564		Motor-Starter -(Steel Ring Gear Only)
309A	-----		Motor-Starter -(NO LONGER AVAILABLE)
309B	795121		Motor-Starter -(Services Aluminum Ring Gear Only)
310A	690323		BOLT -(Starter Motor) (4 7/16" Long)
310B	691263		Screw -(Starter Motor) (5-3/8" Long)
311A	497608		Brush Set
413	693587		Nut -(Starter Motor)
503	691532		STRAP, Starter
510	496881		Drive-Starter -(Steel Pinion Gear)
510A	696541		Drive-Starter
513	692024		CLUTCH, Drive
697	692062		SCREW -(Drive Cap)
783	695708		Gear-Pinion -(Services Aluminum Ring Gear Only)
797	691029		NUT -(Brush Retainer)
797A	693167		NUT -(Brush Retainer)
801B	691283		CAP, Drive
802A	691286		CAP, End
803A	693547		Housing-Starter -(For Replacement Starter Motor, Order Reference 309)
1051	691124		Ring-Retaining
1051A	691265		RING, Retaining
1090	691293		RETAINER, Brush
1090A	496813		Retainer-Brush



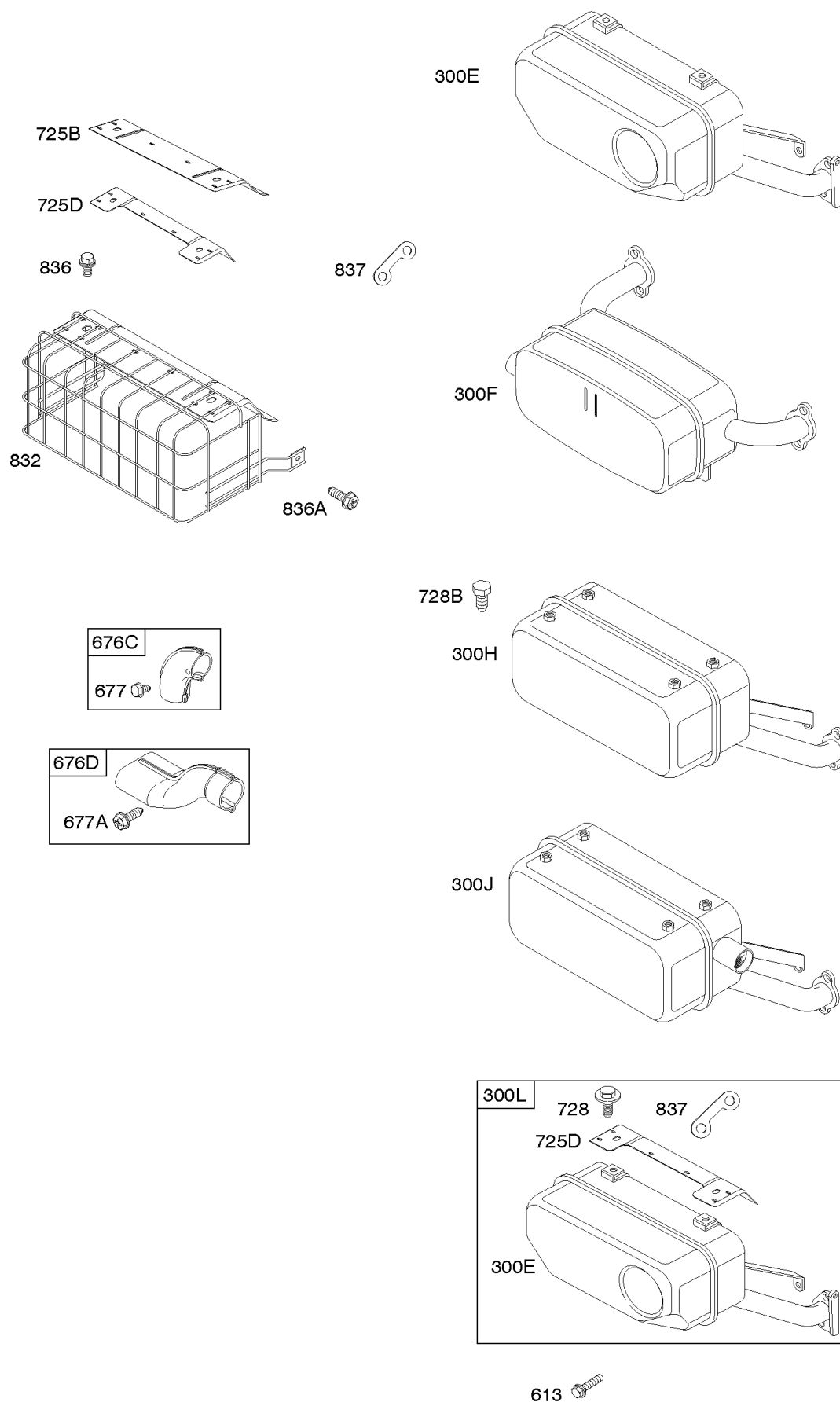
Electric Starter #2

REF NO	PART NO	QTY	DESCRIPTION
309C	XXXXX		Motor-Starter -(NO LONGER AVAILABLE)
310B	691263		Screw -(Starter Motor) (5-3/8" Long)
403	690288		Washer -(End Cap)
510B	696540		Drive-Starter -(For 4-3/8" Housing Length)
513	692024		CLUTCH, Drive
544C	490309		Armature-Starter
683	691029		NUT -(Starter Solenoid)
697	692062		SCREW -(Drive Cap)
783	695708		Gear-Pinion -(Services Aluminum Ring Gear Only)
803C	494205		Housing-Starter -(For 4-3/8" Housing Length)
803C	398892		Housing-Starter -(For 4 9/16" Housing Length)
896	691641		Pin-Drive Retainer
1009	806474		SCREW -(Starter Motor)
1083	691626		Nut -(End Cap)
1083A	690958		NUT -(End Cap)



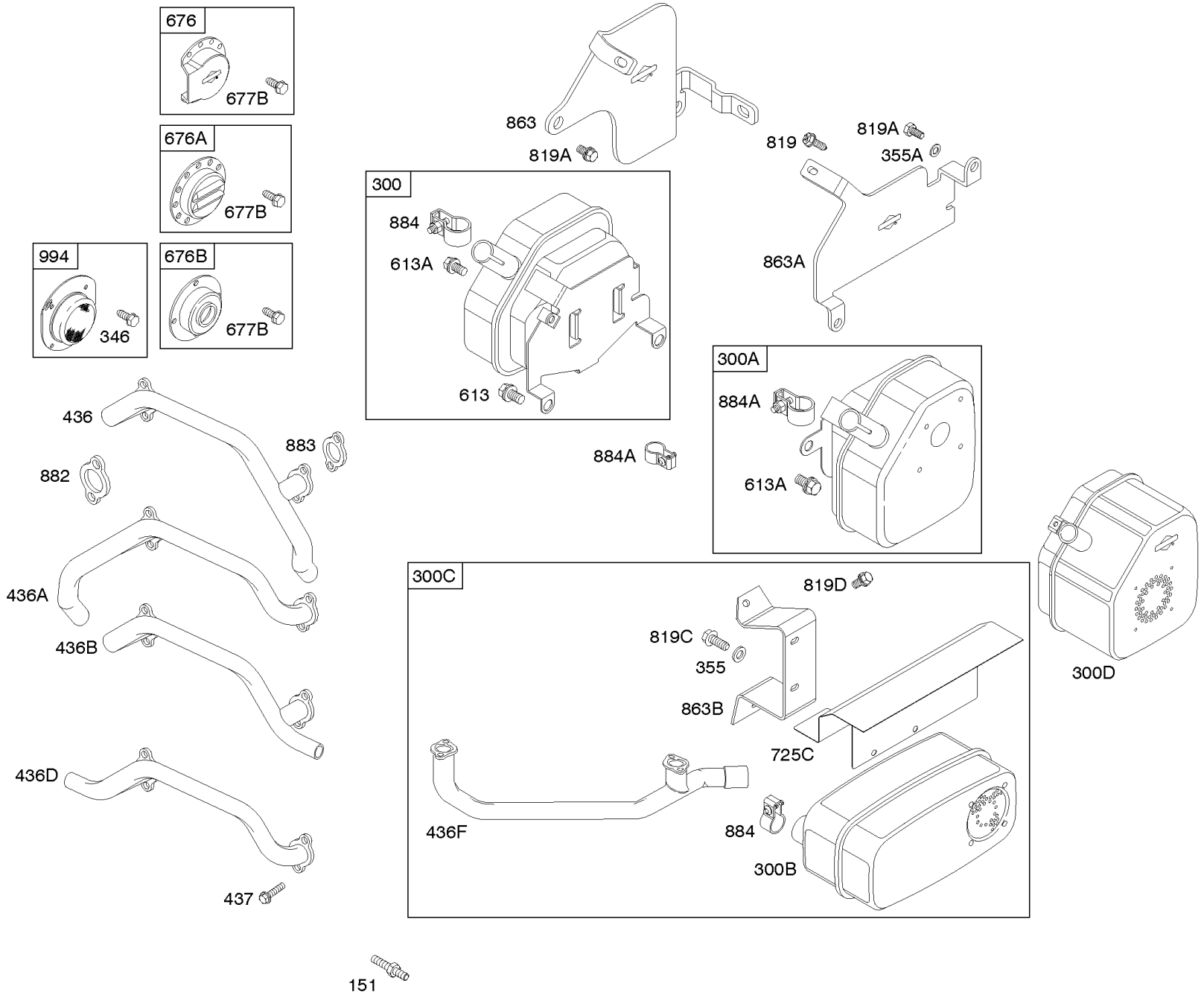
Electronic Governor

REF NO	PART NO	QTY	DESCRIPTION
51A	692035		Gasket-Intake -(Manifold to Cylinder Head)
51C	691694		GASKET, Intake -(Carburetor To Manifold)
122B	845817		Spacer-Carburetor
232A	845816		Spring-Governor Link
320	1726829SM		Relay(s)
401	845814		Link-Actuator
564	690677		SCREW -(Control Cover)
578B	845849		Wire Assembly
604	845821		Cover-Control
703A	691010		CLIP
723	845818		Seal-Foam
883	691613		GASKET, Exhaust
971	807084		SCREW -(Air Cleaner Base to Carburetor)
1048A	845556		Module-Electronic Governor
1301	845823		NUT -(Wiring Harness)
1455	845813		Lever-Actuator
1456	845815		Bracket-Stepper Motor
1457	845819		Stepper Motor
1458	845812		Screw -(Stepper Motor)
1459	845820		Screw-Set
1460	845822		Bracket-Governor Control
1461	845824		Eng Cntrl Unit (ECU)
1462	792629		SCREW -(Engine Control Unit) (ECU)



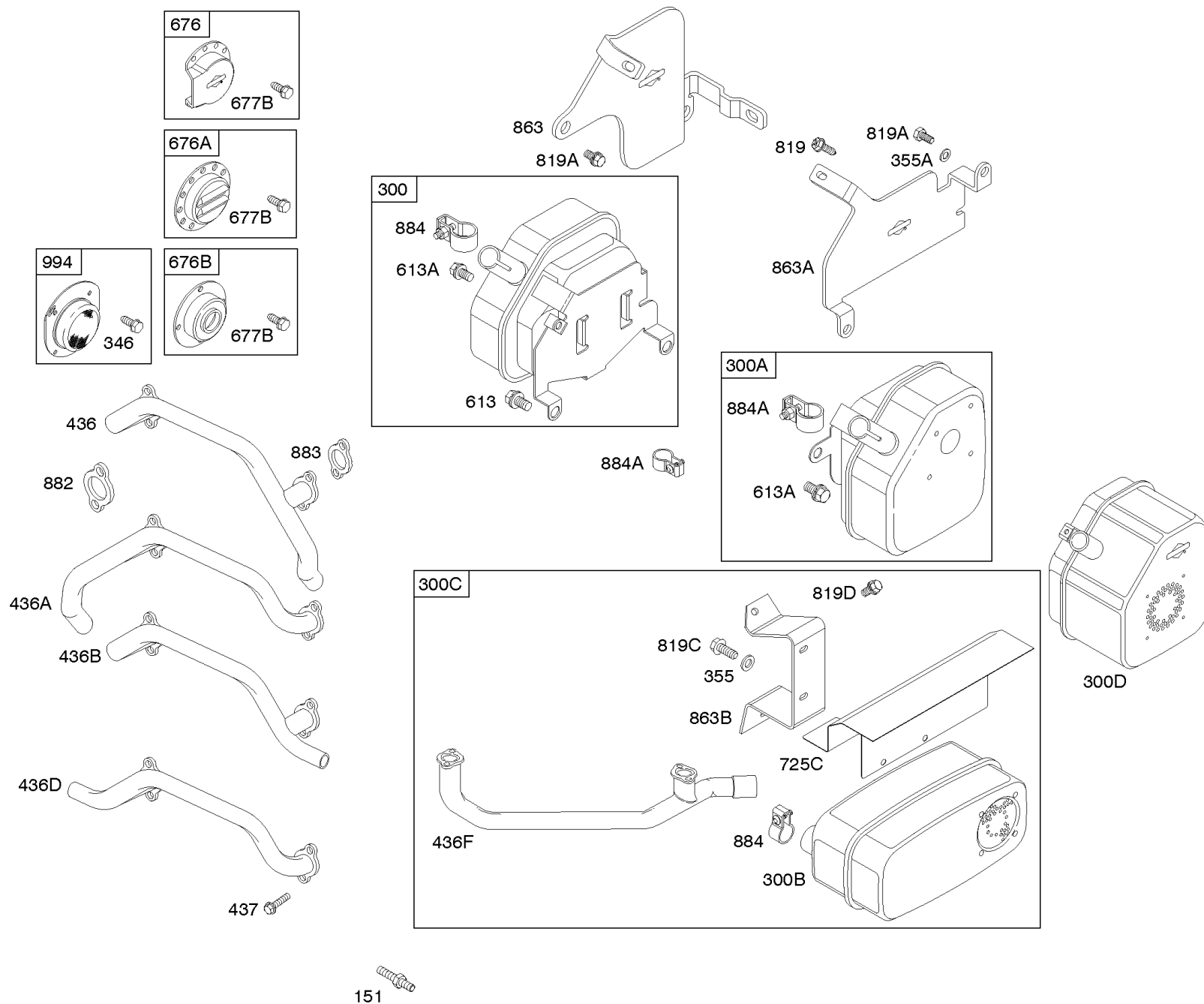
Exhaust System #1

REF NO	PART NO	QTY	DESCRIPTION
300E	690906		Muffler -(Cylinder 1)(Side Outlet)(Starter Motor Side)
300F	690931		Muffler -(Hi Mount)(Starter Side Exit)
300J	807799		Muffler -(Cylinder 2)(Side Outlet)(Oil Filter Side)
300H	807831		Muffler -(Cylinder 1)(Side Outlet)(Starter Motor Side)
300L	808380		Muffler -(Cylinder 1)(Side Outlet)(Starter Motor Side)
613	691902		SCREW -(Muffler)
676C	495518		Deflector-Muffler
676D	808394		Deflector-Muffler
677	810079		Screw -(Muffler Deflector)
677A	690688		Screw -(Muffler Deflector)
725B	691498		Shield-Heat
725D	805702		Shield-Heat
728	691514		Screw -(Heat Shield)
728B	805704		Screw -(Heat Shield)
832	691571		Guard-Muffler
836	691514		Screw -(Muffler Guard)
836A	692067		SCREW -(Muffler Guard)
837	808085		Spacer-Muffler



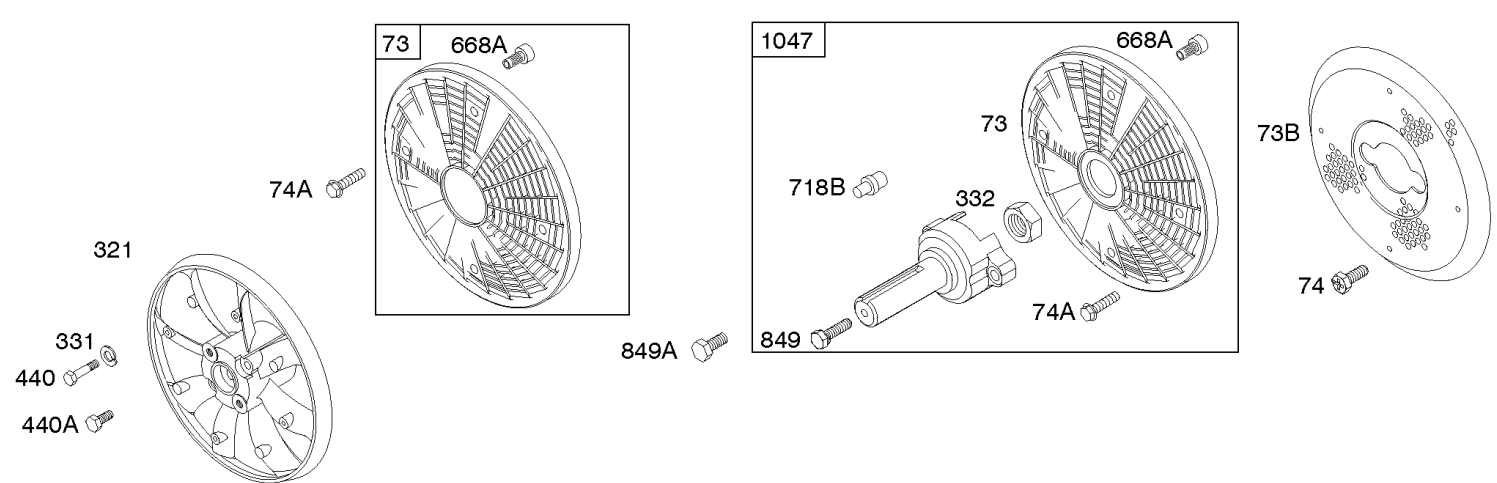
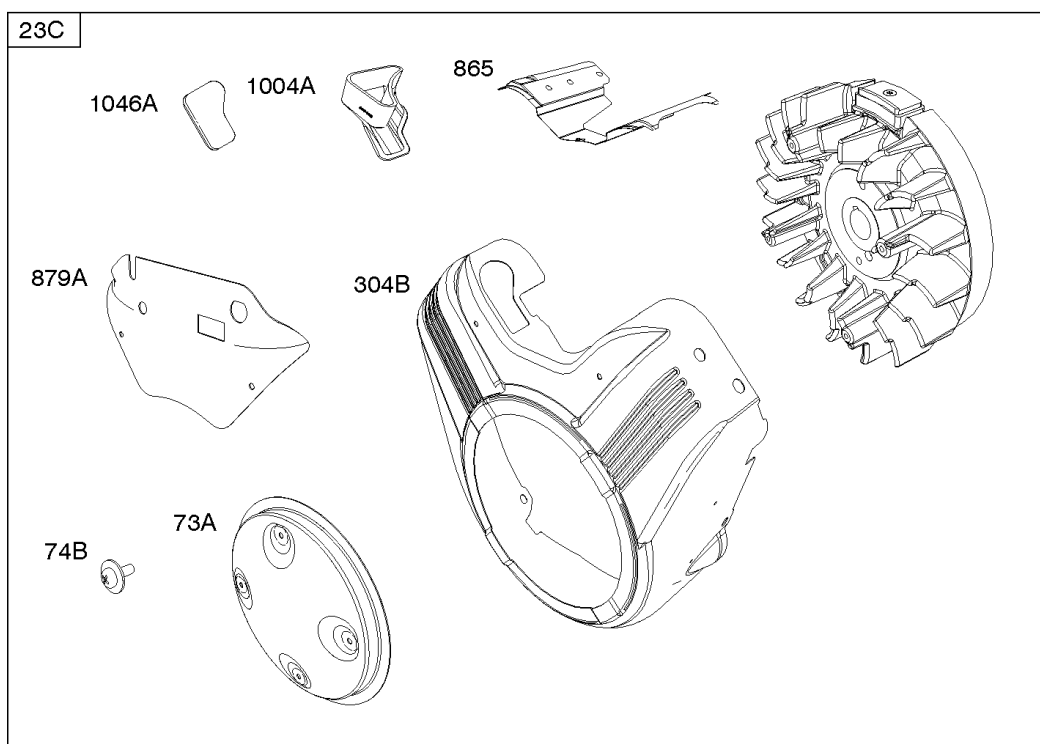
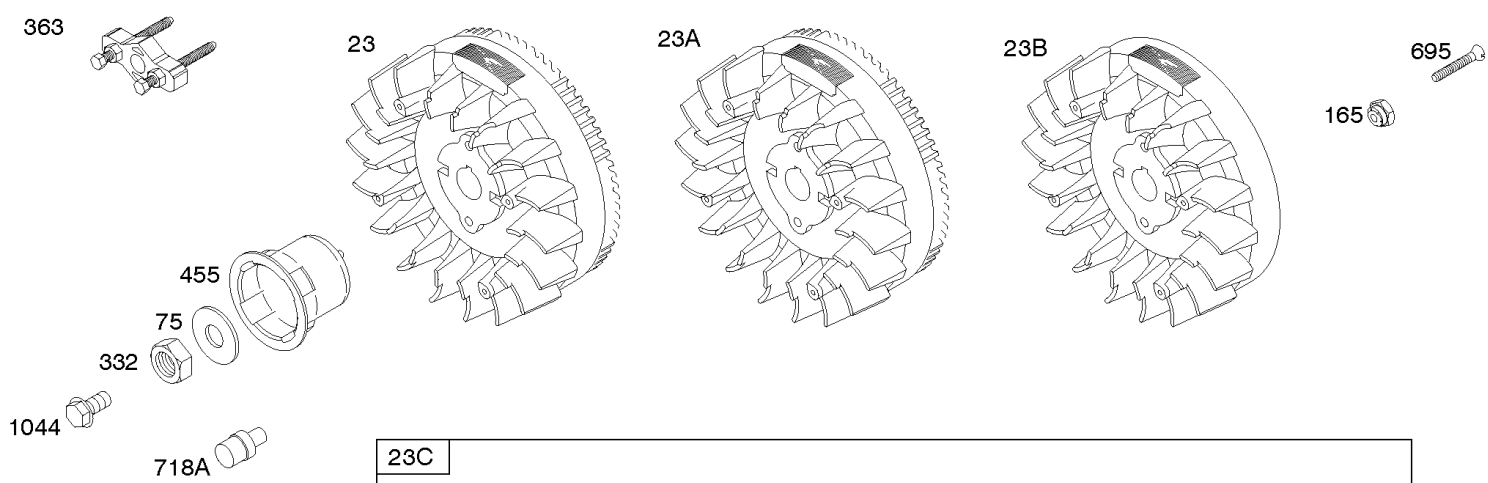
Exhaust System #2

REF NO	PART NO	QTY	DESCRIPTION
151	841185		Stud -(Exhaust Manifold)
300	-----		Muffler -(For Replacement Muffler, Order 692099)
300A	807742		Muffler -(Cylinder 2) (Side Outlet)
300B	498984S		Muffler -(Super Lo Tone)
300D	692099		Muffler
300C	807752		Muffler -(Low Mount)
346	690661		SCREW -(Spark Arrestor)
355	842122		WASHER -(Muffler Bracket)
355A	690944		Washer -(Muffler Bracket)
436	692061		Manifold-Exhaust -(Cylinder 2) (Side Outlet)
436A	691499		Manifold-Exhaust -(Cylinder 2) (Side Outlet)
436B	691501		Manifold-Exhaust -(Cylinder 1) (Side Outlet)
436D	691502		Manifold-Exhaust -(Used With Muffler Supplied By Customer)
436F	805609		Manifold-Exhaust -(Used With Muffler Supplied By Customer)
437	691902		SCREW -(Exhaust Manifold)
613	691902		SCREW -(Muffler)
613A	692067		SCREW -(Muffler)
676	795036		DEFLECTOR, Muffler -(Side Out)
676A	795038		DEFLECTOR, Muffler -(Louvered)
676B	396903		DEFLECTOR, Muffler -(Direct Out)
677B	690661		SCREW -(Muffler Deflector)
725C	806102		Shield-Heat
819	690297		Screw -(Muffler Bracket) -Used After Code Date 97012300
819	692198		Screw -(Muffler Bracket) -Used Before Code Date 97012400
819A	692056		Screw -(Muffler Bracket) (14 mm Long)
819A	690943		Screw -(Muffler Bracket) (16mm Long)
819D	692062		SCREW -(Muffler Bracket)
819C	692067		SCREW -(Muffler Bracket) (12 mm Long)
819C	807084		SCREW -(Muffler Bracket)
863	691513		Bracket-Muffler -(Cylinder 2 Side)



Exhaust System #2

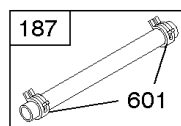
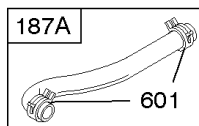
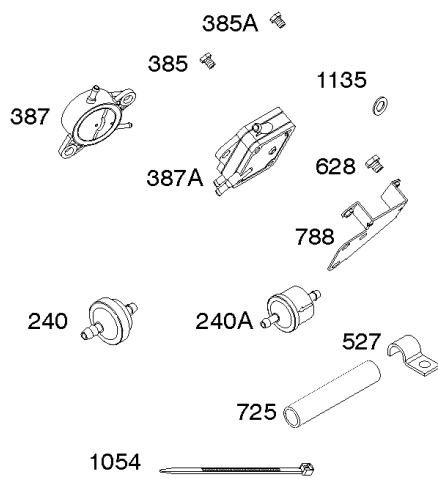
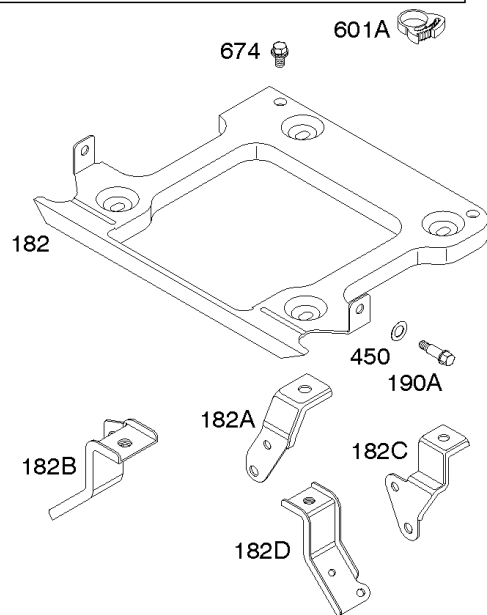
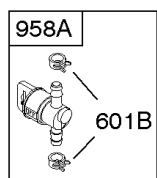
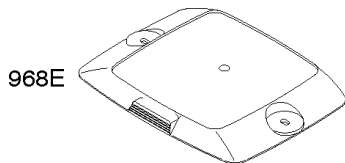
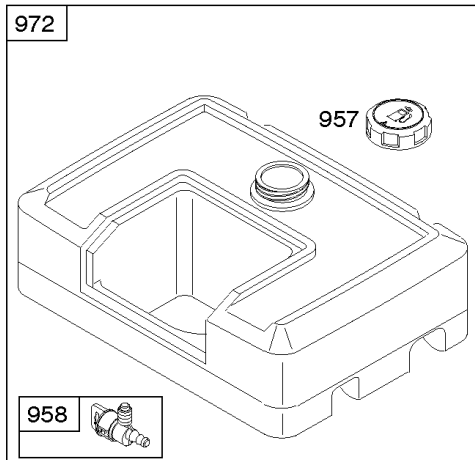
REF NO	PART NO	QTY	DESCRIPTION
863A	690756		Bracket-Muffler -(Cylinder 2 Side)
863B	806759		Bracket-Muffler
882	692074		Flange-Exhaust
883	691613		GASKET, Exhaust
884	690898		Clamp-Muffler
884A	691956		Clamp-Muffler
994	794945		ARRESTOR, Spark



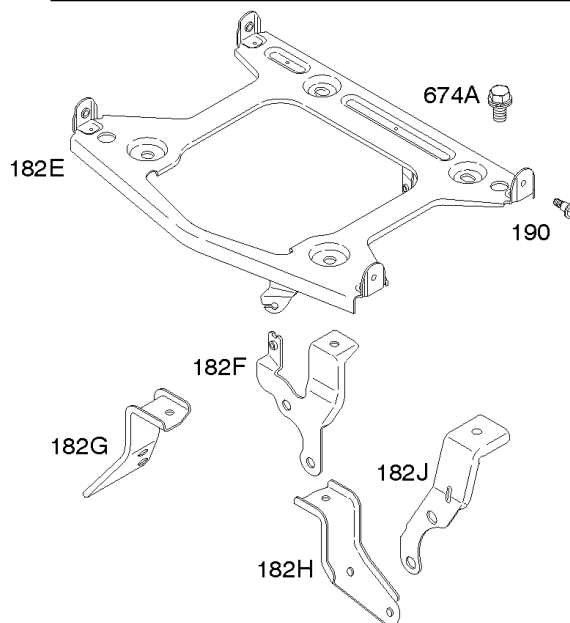
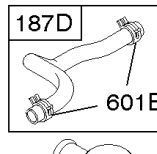
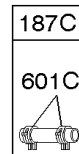
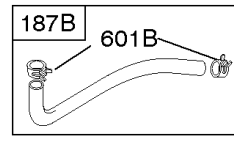
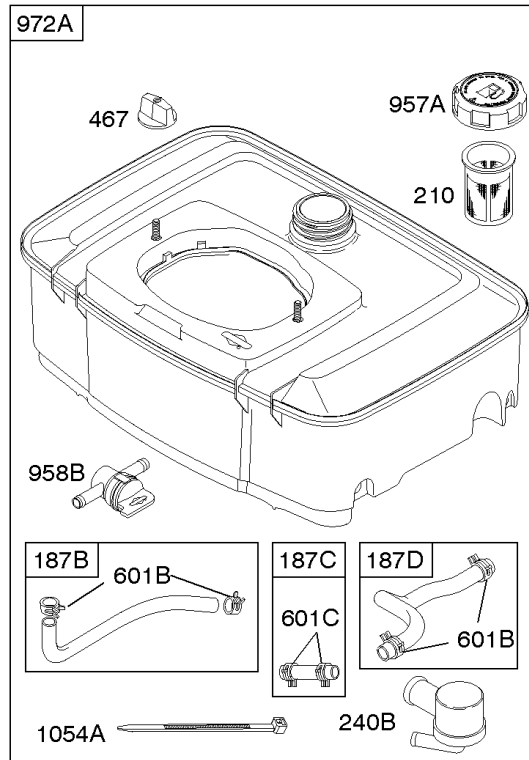
Flywheel, Starter Kit, Rotating Screens

REF NO	PART NO	QTY	DESCRIPTION
23	808770		Flywheel -(For Replacement Flywheel, Order Part Number 844818 Flywheel)
23B	690889		Flywheel -(Rewind Starter)
23C	844818		Flywheel
73	494439		SCREEN, Rotating -(Flush)
73A	841440		SCREEN, Rotating
73B	690478		Screen-Rotating
74	691655		Screw -(Rotating Screen)
74A	691647		Screw -(Rotating Screen)
74B	841441		SCREW -(Rotating Screen)
75	691490		Washer -(Flywheel)
165	693148		Nut -(Ring Gear)
304B	842681		HOUSING, Blower
321	690379		Fan-Booster
331	691075		WASHER -(Booster Fan)
332	690887		NUT -(Flywheel)
363	19203		PULLER, Flywheel
440	690335		Screw -(Booster Fan)
440A	690342		Screw -(Booster Fan)
455	805153		Cup-Flywheel -Used Before Code Date 93072600
455	691517		Cup-Flywheel -Used After Code Date 93072500
668A	691500		SPACER
695	693109		Screw -(Ring Gear)
718A	805102		Pin-Locating -Used Before Code Date 90091100
718B	690740		Pin-Locating
849	691088		Screw -(Stub Shaft)
849A	690342		Screw -(Stub Shaft)
865	843768		Cover-Air Guide
879A	842123		Cover-Carburetor
1004A	841656		DUCT, Air
1044	692056		Screw -(Flywheel)
1046A	843068		PLUG, Blower Housing
1047	841580		Shaft-Stub

7 QUART



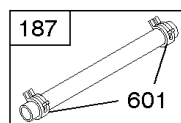
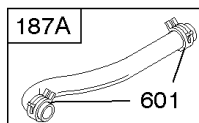
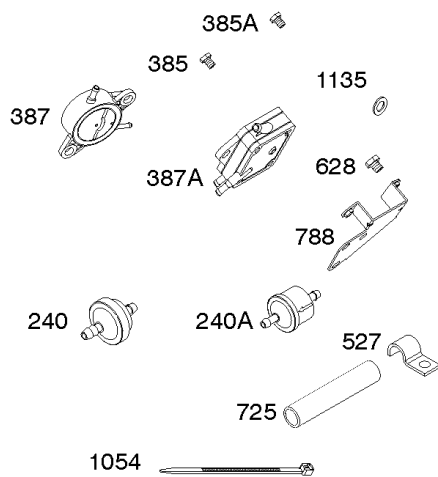
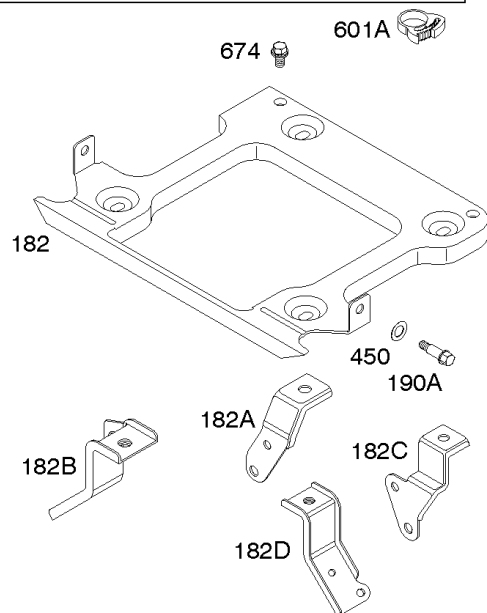
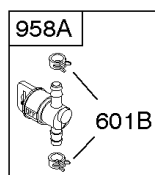
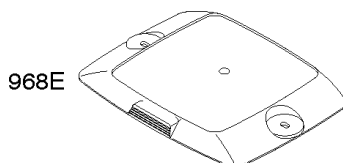
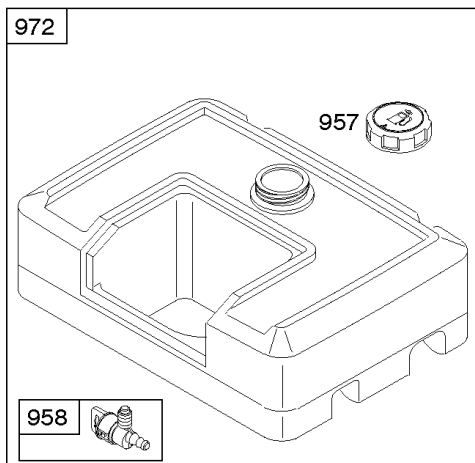
9 QUART



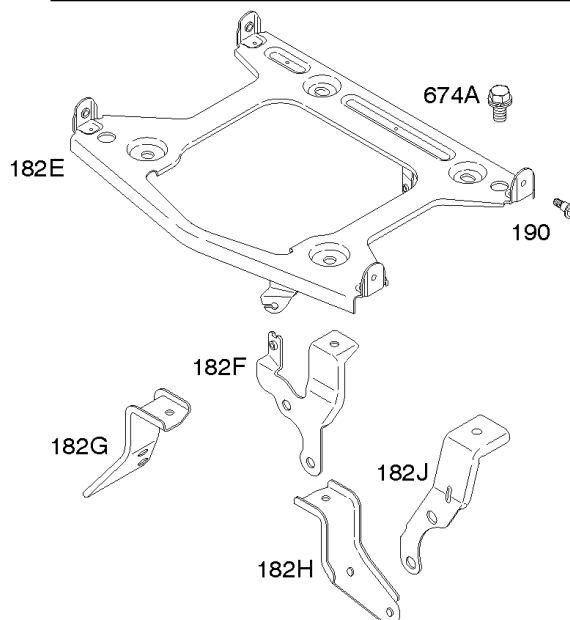
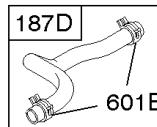
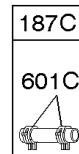
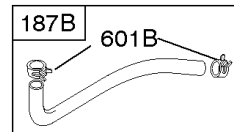
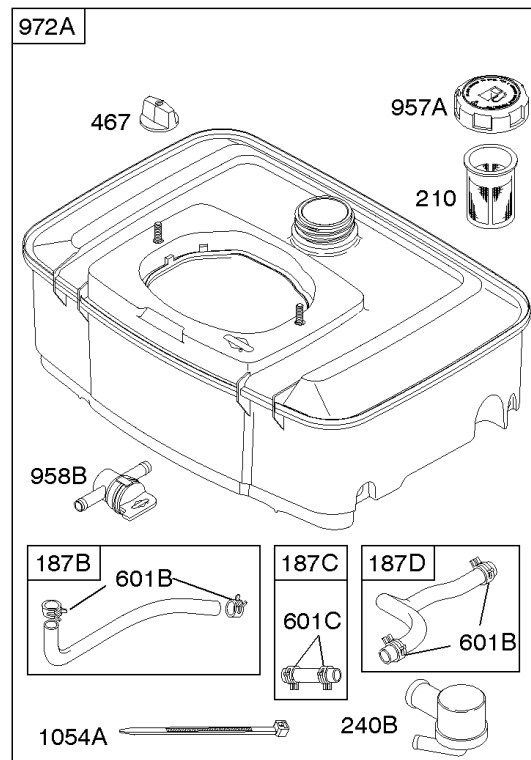
Fuel Supply

REF NO	PART NO	QTY	DESCRIPTION
7	806085S		Gasket-Cylinder Head -(Graphoil) -Used After Code Date 96033100
9	844986		Gasket-Breather
182	492317		Bracket-Fuel Tank
182A	690778		Bracket-Fuel Tank
182E	841601		Bracket-Fuel Tank
182B	690779		Bracket-Fuel Tank
182C	690780		Bracket-Fuel Tank
182D	690781		Bracket-Fuel Tank
182F	691520		BRACKET, Fuel Tank
182H	691524		BRACKET, Fuel Tank
182J	691525		BRACKET, Fuel Tank
182G	841600		BRACKET, Fuel Tank
187	791766		LINE, Fuel -(Cut To Required Length)
190	692199		Screw -(Fuel Tank)
190A	94536		Screw -(Fuel Tank)
210	691370		Strainer-Fuel
240	298090S		Filter-Fuel
240A	691035		FILTER, Fuel
240B	808116S		Filter-Fuel
385	807084		SCREW -(Fuel Pump)
385A	693169		Screw -(Fuel Pump)
387	808656		PUMP, Fuel
450	806497		Washer -(Fuel Tank Bracket)
467	691985		KNOB, Air Cleaner Cover
527	690423		CLAMP, Tube
601	691038		CLAMP, Hose
601A	805813		Clamp-Hose
601B	791850		CLAMP, Hose
601C	691522		Clamp-Hose
628	806660		SCREW -(Fuel Pump Bracket)
674	692056		Screw -(Fuel Tank Bracket) (M8 X 14)
674A	692062		SCREW -(Fuel Tank Bracket) (M8X18mm)
725	-----		Shield-Heat -(NO LONGER AVAILABLE)
788	691559		BRACKET, Fuel Pump
957	491367S		Cap-Fuel Tank -(Plastic)
957A	795027		Cap-Fuel Tank -(Plastic)
958	698182		Valve-Fuel Shut Off -(Plastic)
958B	692008		Valve-Fuel Shut Off -(Plastic)
972	492369		Tank-Fuel -(Plastic) (7 Quart)(Plastic)

7 QUART

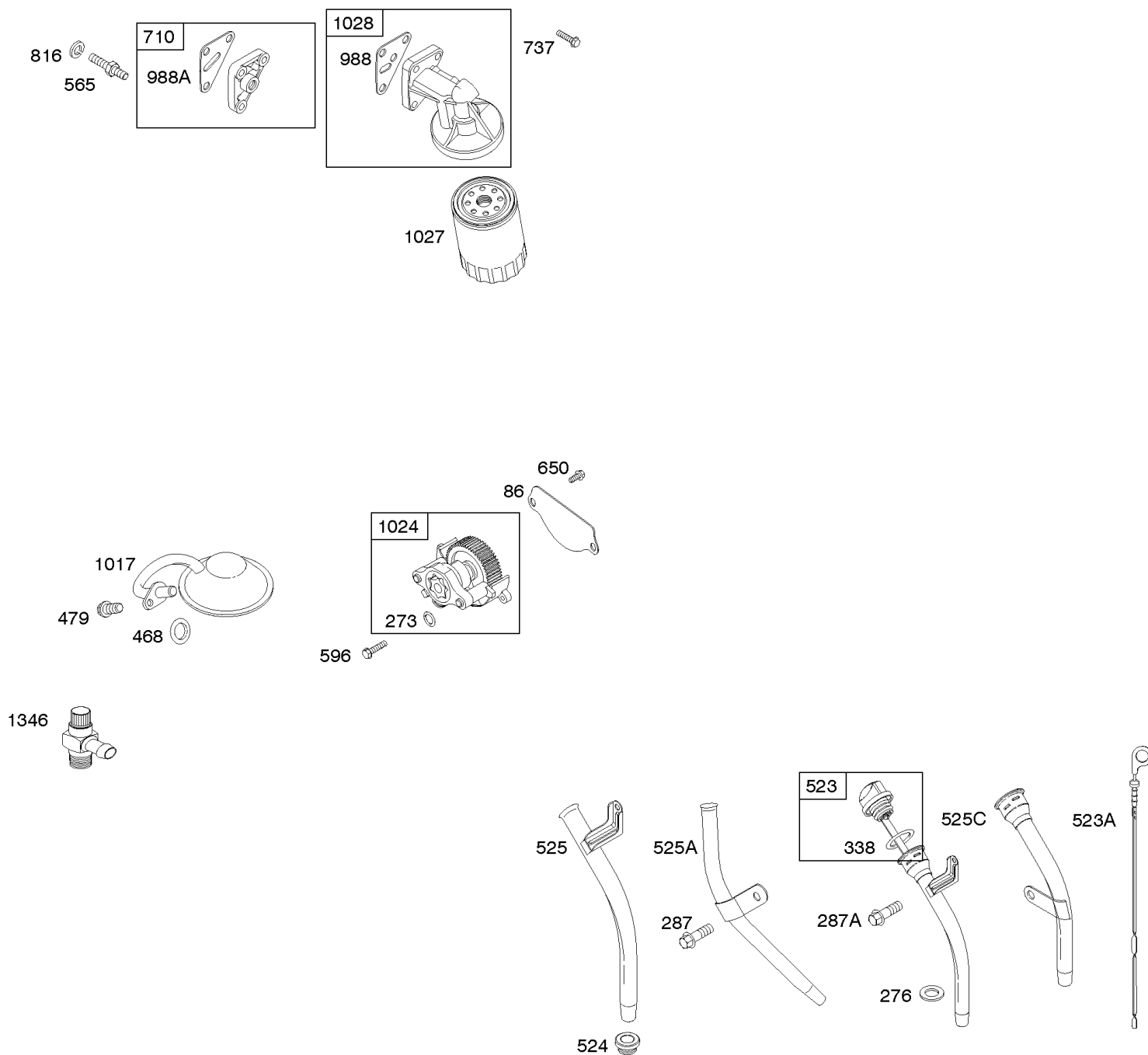


9 QUART



Fuel Supply

REF NO	PART NO	QTY	DESCRIPTION
972A	845137		Tank-Fuel -(Plastic) (9 Quart)
1054	280275		Tie-Cable
1054A	710349		Tie-Cable
1135	806497		Washer -(Crankcase Cover/Sump)

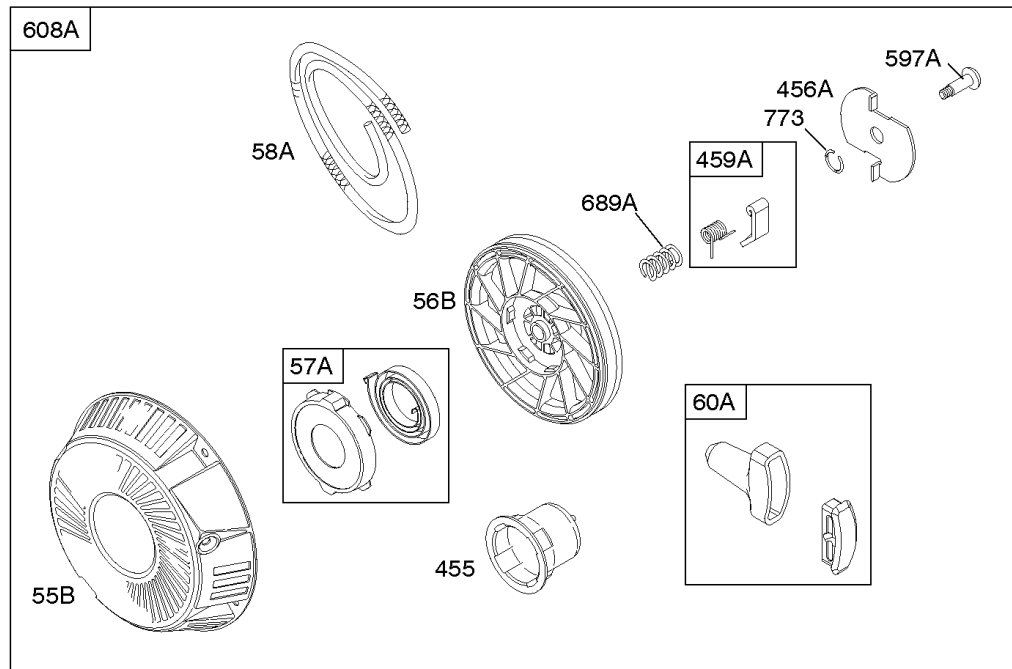
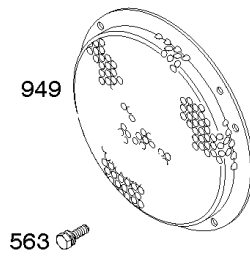
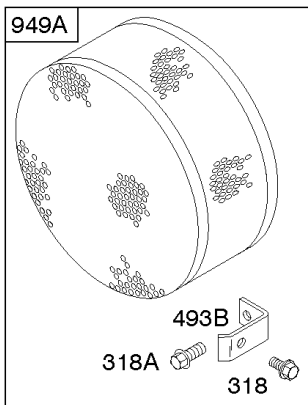
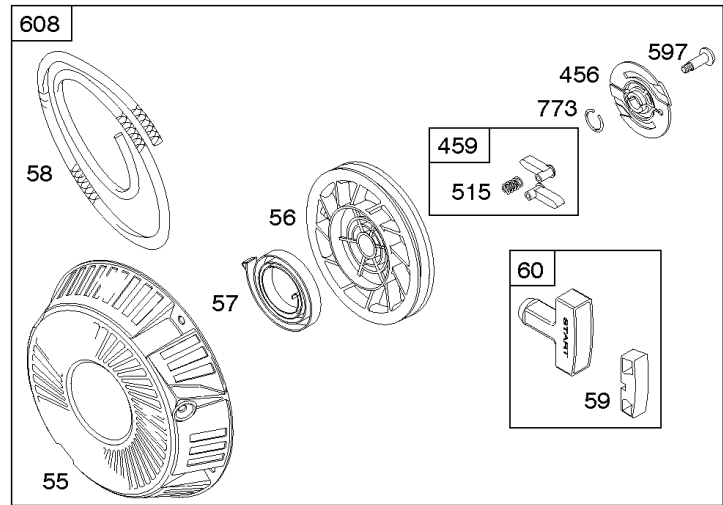
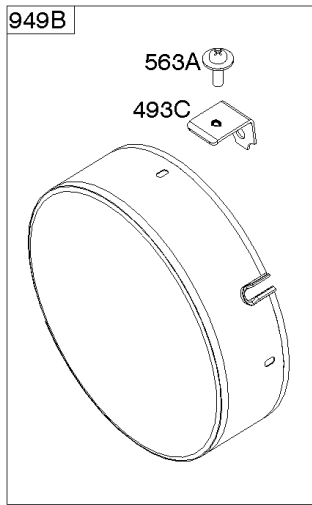


Lubrication

REF NO	PART NO	QTY	DESCRIPTION
86	690745		COVER, Gear
273	690681		Seal-O Ring -(Oil Pump)
276	690704		Washer-Sealing
287	806660		SCREW -(Dipstick Tube) (Special)
287A	692062		SCREW -(Dipstick Tube)
338	690611		Gasket-Dipstick
468	690690		SEAL, O-Ring -(Oil Pump Screen)
479	807084		SCREW -(Oil Pump Screen)
523	692100		Dipstick -(Standard) -Used Before Code Date 98060100
523A	693175		Dipstick -(Special) -Used After Code Date 98053100
524	693172		Seal-Dipstick Tube -Used After Code Date 98053100
524	281370S		Seal-Dipstick Tube -Used Before Code Date 98060100
525	693174		Tube-Dipstick -(Standard) -Used After Code Date 98053100
525C	690897		Tube-Dipstick -Used Before Code Date 98060100
565	690682		STUD -(Oil Filter Adapter)
596	691492		SCREW -(Oil Pump)
650	841233		SCREW -(Oil Deflector)
710	807689		Cover-Oil Filter
737	690679		Screw -(Oil Filter Adapter)
816	690706		Washer -(Oil Filter Adapter)
988	692063		Gasket-Oil Adapter
988A	690687		Gasket-Oil Adapter
1017	690900		Screen-Oil Pump
1024	-----		Pump-Oil -(Oil Pump is No Longer Available) (See Reference 18 for correct replacement Crankcase Cover) -Used Before Code Date 07101500
1024	843825		Pump-Oil -Used After Code Date 07101400
1027	491056		Filter-Oil -(3 1/4" Long)
1027	842921		Filter-Oil
1028	808235		Adapter-Oil Filter

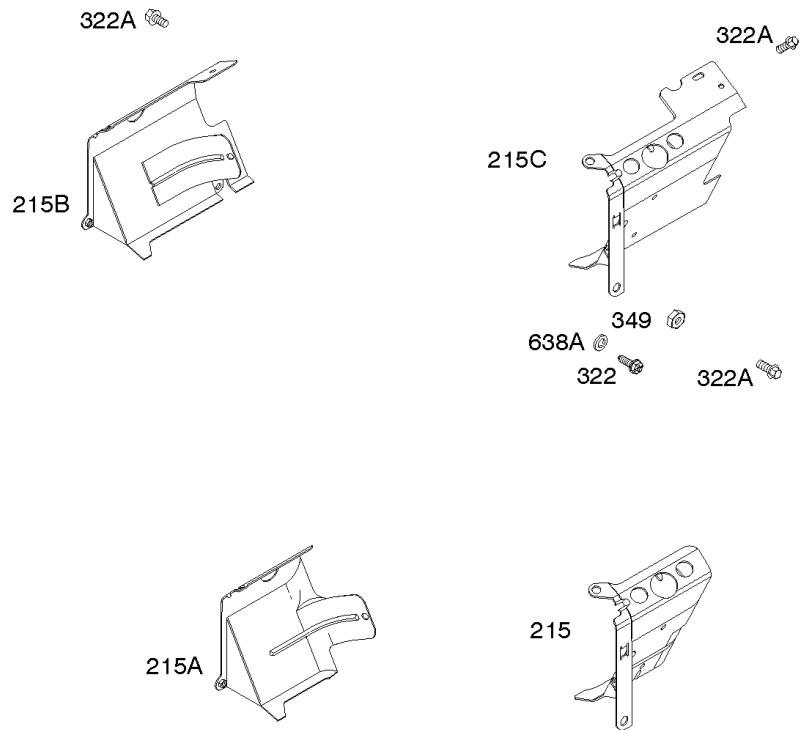
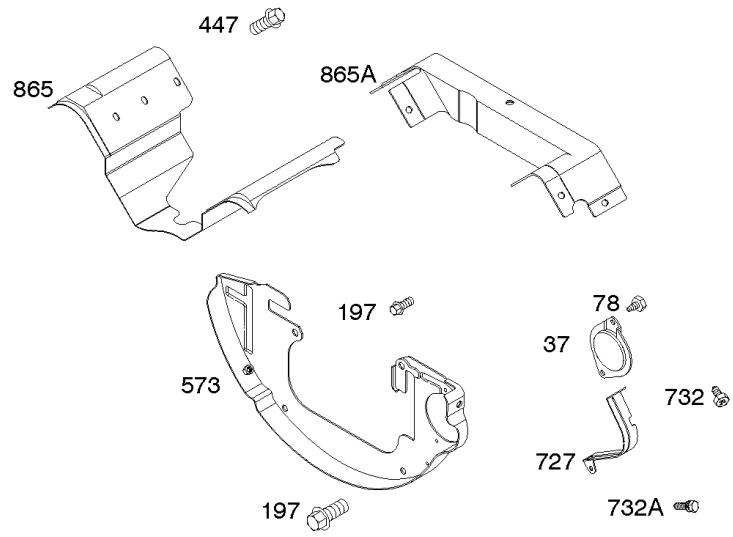
Replacement Engine

REF NO	PART NO	QTY	DESCRIPTION
-----			No engine replacement. Repair engine with individual parts.
-----			Top No-Load Speed: 4000 -Trim: ALL
-----			Service Note: For all Go-Karts use only a Model 136200 series engine as a replacement, regardless of the original Model.



Rewind Starter

REF NO	PART NO	QTY	DESCRIPTION
55	691568		Housing-Rewind Starter
55B	492193		Housing-Rewind Starter
56	692085		Pulley-Starter
57	692086		Spring-Rewind Starter
57A	492194		Spring-Rewind Starter
58	66574		Rope-Starter -(Cut To Required Length)
58A	695002		Rope-Starter -(Cut To Required Length)
59	805957		Insert-Grip
60	808167		Grip-Starter Rope
60A	490652		HANDLE, Starter Rope
65	691982		Screw -(Rewind Starter)
65A	841233		SCREW -(Rewind Starter) -Used After Code Date 03120900
318	806870		Screw -(Mounting Bracket)
318A	691982		Screw -(Mounting Bracket)
455	691517		Cup-Flywheel -Used After Code Date 93072500
455	805153		Cup-Flywheel -Used Before Code Date 93072600
456	691529		Plate-Pawl Friction
456A	224228		Plate-Pawl Friction
459	808166		Pawl-Ratchet
459A	492431		Pawl-Ratchet
493B	691503		Bracket-Mounting
493C	845729		Bracket-Mounting
515	691528		Spring-Pawl
563	691982		Screw -(Debris Screen Guard)
563A	841735		SCREW -(Debris Screen Guard)
597	690876		Screw -(Pawl Friction Plate)
597A	94463		Screw -(Pawl Friction Plate)
608	692102		Starter-Rewind -Used After Code Date 93072500
608A	808152		Starter-Rewind -Used Before Code Date 93072600
689A	262564		Spring-Friction
773	690875		Retainer
949	690475		Guard-Debris Screen
949A	808226		Guard-Debris Screen
949B	845728		Guard-Debris Screen



Shrouds, Air Guides

REF NO	PART NO	QTY	DESCRIPTION
37	841309		GUARD, Flywheel -(Black)
78	690688		Screw -(Flywheel Guard)
197	807163		Screw -(Back Plate)
215	807656		Guide-Air -(Cylinder 1)(Black) -Used Before Code Date 93072300
215	841183		Guide-Air -(Cylinder 1)(Black) -Used After Code Date 93072200
215C	841317		Guide-Air -(Cylinder #1)
322	841233		SCREW -(Cylinder Head Cover)
322A	692067		SCREW -(Cylinder Head Cover)
349	690238		Nut -(Cylinder Head Cover)
447	841233		SCREW -(Air Guide Cover)
573	841310		Plate-Back -(Black)
638A	690706		Washer -(Cylinder Head Cover) (Head Cover)(Spring)
727	841313		Cover-Starter Drive -(Black)
732	690688		Screw -(Starter Drive Cover)
732A	841233		SCREW -(Starter Drive Cover) -Used After Code Date 03120900
865	843768		Cover-Air Guide

