

Illustrated Parts List

Model Series

185400

TYPE NUMBERS
0035 THROUGH 0808

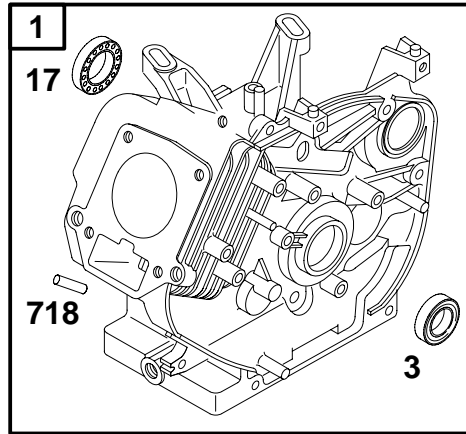
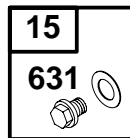
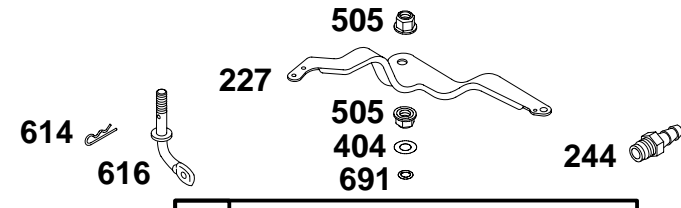
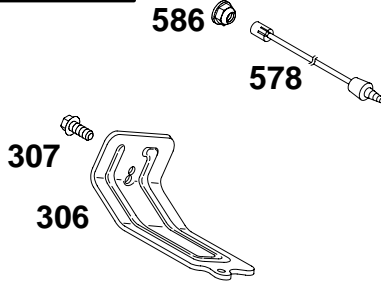
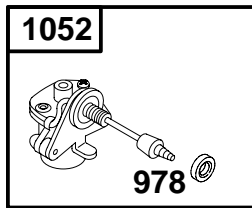
TABLE OF CONTENTS

Air Cleaner	18,19
Blower Housing	29
Camshaft	7
Carburetor	13,15
Controls	16,17
Control Panel	24,25
Crankcase Cover/Sump	4
Crankshaft	8, 10, 11
Cylinder	2
Cylinder Head	5
Electric Starter	31
Flywheel	27
Fuel System	23
Governor Spring	16
Ignition	26,27
Kits/Gaskets-Carburetor	32
Kits/Gaskets-Engine	32
Kits/Gaskets-Valve	32
Muffler	21,22
Oil Fill	3
Oil Sensor Group	2
Piston and Rod Group	6
Rewind Starter	29,30
Valves	5

PRINTED IN U.S.A.



COPYRIGHT by BRIGGS & STRATTON CORPORATION
All rights reserved. No part of this material may be reproduced or transmitted, in any form or by any means, electronic or mechanical, including photocopying, recording or by any information storage and retrieval system, without permission in writing from Briggs & Stratton Corporation.



★ **REQUIRES SPECIAL TOOLS TO REPLACE. SEE REPAIR INSTRUCTION MANUAL.**

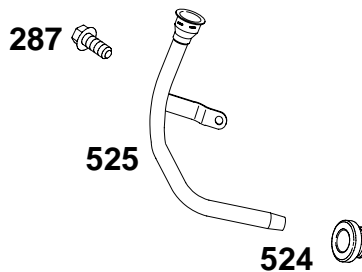
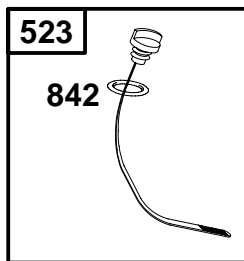
1019 LABEL KIT

1058 OWNER'S MANUAL

REF. NO.	PART NO.	DESCRIPTION	REF. NO.	PART NO.	DESCRIPTION	REF. NO.	PART NO.	DESCRIPTION
1	715095	Cylinder Assembly Note 715190 Cylinder Assembly Used on Type No(s). 0039, 0044, 0074, 0075, 0076, 0077, 0080, 0081, 0084, 0242, 0254, 0255, 0259, 0274, 0275, 0276, 0280, 0284, 0295, 0298, 0390, 0440, 0512, 0513, 0543, 0554, 0562, 0620, 0623, 0626, 0628, 0806, 0807, 0808. 715232 Cylinder Assembly Used on Type No(s). 0099, 0399, 0563. 715675 Cylinder Assembly Used on Type No(s). 0539.						
			3	★710000	Seal-Oil (Magneto Side)	505	710059	Nut (Governor Control Lever)
			15	715000	Plug-Oil Drain	578	710308	Wire Assembly Note 710086 Wire Assembly Used on Type No(s). 0099, 0399.
			17	710003	Bearing-Ball	586	710090	Nut (Oil Sensor)
			17A	710482	Bearing-Ball Used on Type No(s). 0038, 0039, 0084, 0099, 0238, 0239, 0399, 0563.	614	710056	Pin-Cotter
						616	710050	Crank-Governor
			227	710238	Lever-Governor Control	631	★710004	Washer (Oil Drain Plug)
			244	691764	Connector-Hose Used on Type No(s). 0099, 0399.	691	★710055	Seal-Governor Shaft
			306	710242	Shield-Cylinder	718	710005	Pin-Locating
			307	710023	Screw (Cylinder Shield)	978	★710091	Gasket-Oil Gard®
			404	710058	Washer (Governor Crank)	1019	711953	Kit-Label (Used After Code Date 03063000). Note 715031 Kit-Label (Used Before Code Date 03070100).
						1052	715353	Sensor-Oil
						1058	MS6669	Owner's Manual

★ Included in Engine Gasket Set-Ref. No. 358.
 Δ Included in Valve Gasket Set-Ref. No. 1095.

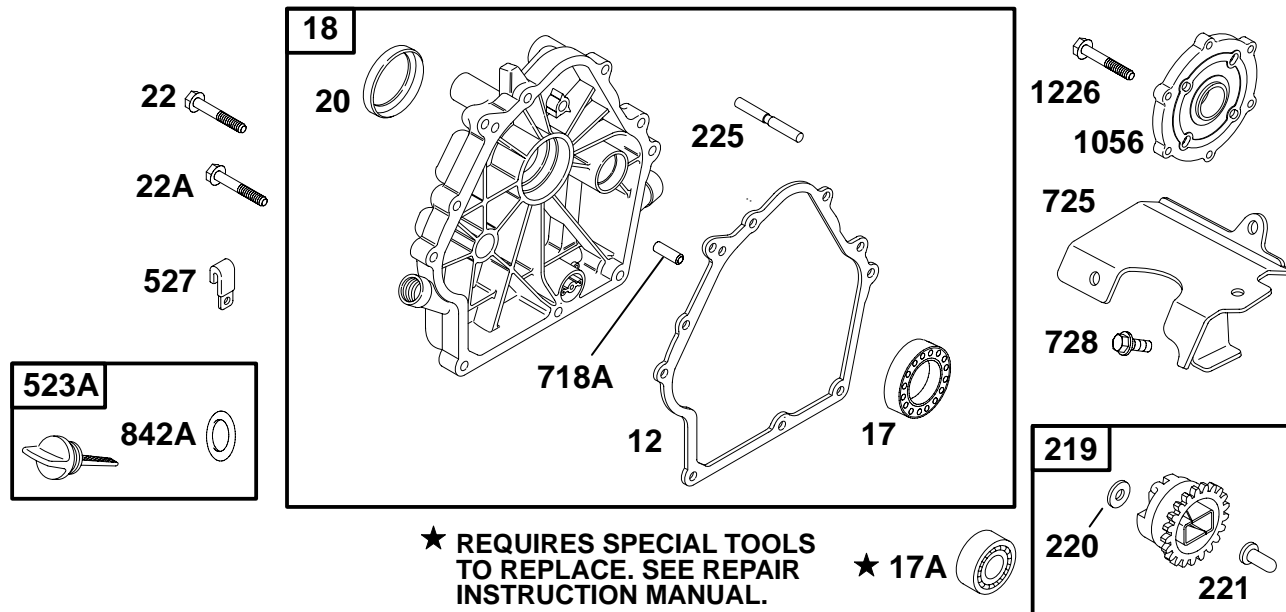
◆ Included in Carburetor Gasket Set-Ref. No. 977.
 ● Included in Carburetor Overhaul Kit-Ref. No. 121.



REF. NO.	PART NO.	DESCRIPTION	REF. NO.	PART NO.	DESCRIPTION	REF. NO.	PART NO.	DESCRIPTION
287	710023	Screw (Dipstick Tube)	524	710394	Seal-Dipstick Tube Used on Type No(s). 0099, 0399.	842	690611	Seal-O Ring (Dipstick) Used on Type No(s). 0099, 0399.
523	692100	Dipstick Used on Type No(s). 0099, 0399.	525	710391	Tube-Dipstick Used on Type No(s). 0099, 0399.			

★ Included in Engine Gasket Set-Ref. No. 358.
 Δ Included in Valve Gasket Set-Ref. No. 1095.

◆ Included in Carburetor Gasket Set-Ref. No. 977.
 ● Included in Carburetor Overhaul Kit-Ref. No. 121.



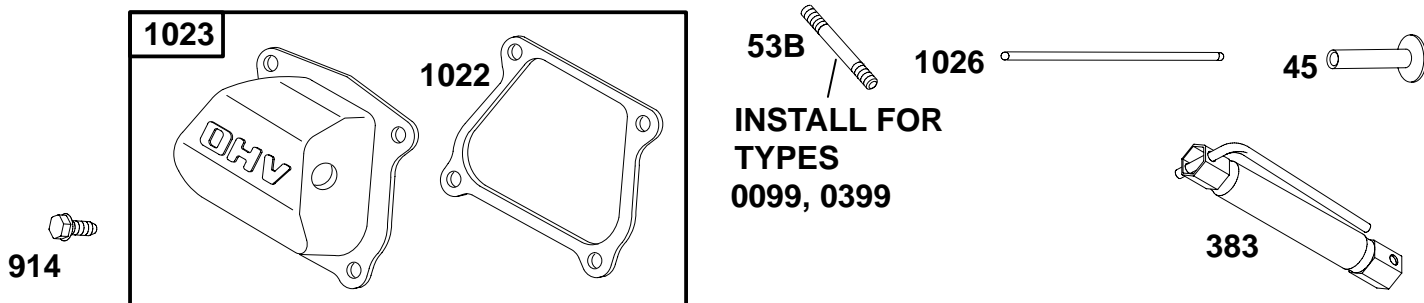
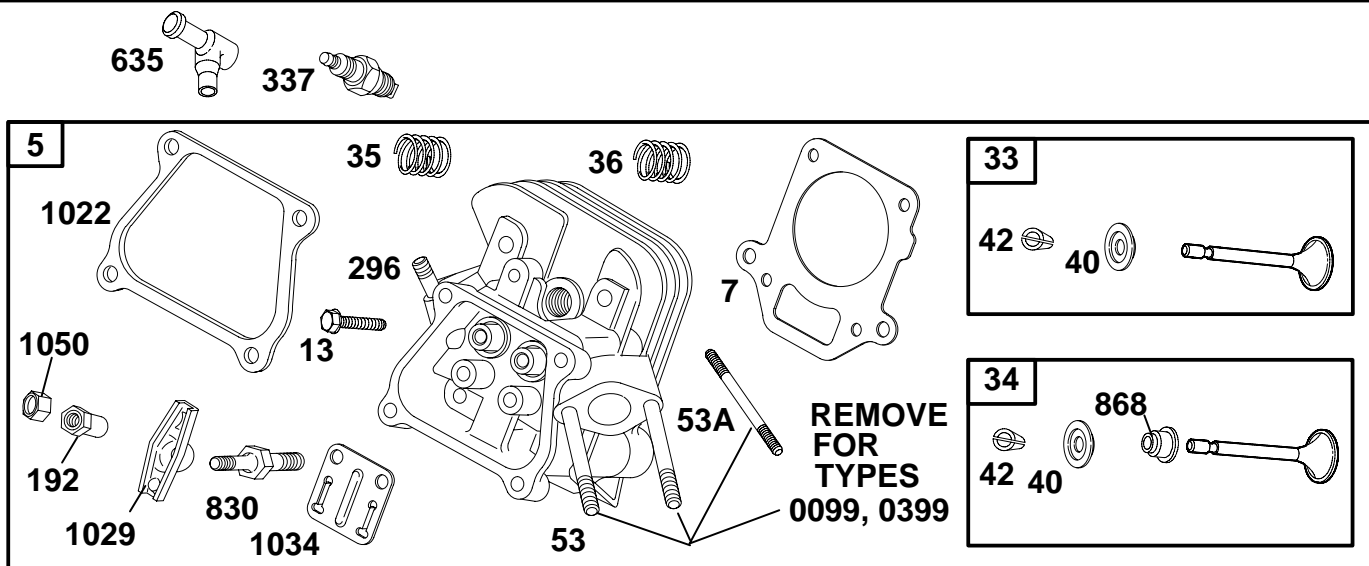
★ REQUIRES SPECIAL TOOLS TO REPLACE. SEE REPAIR INSTRUCTION MANUAL.

★ 17A

REF. NO.	PART NO.	DESCRIPTION	REF. NO.	PART NO.	DESCRIPTION	REF. NO.	PART NO.	DESCRIPTION
12	★710216	Gasket-Crankcase	22	710032	Screw (Crankcase Cover/Sump) (Quantity 8)	221	710872	Cup-Governor (Used After Code Date 99073100). ———— Note ———
17	710003	Bearing-Ball	22A	710306	Screw (Crankcase Cover/Sump) (Quantity 1)		710027	Cup-Governor (Used Before Code Date 99080100).
17A	710482	Bearing-Ball Used on Type No(s). 0038, 0039, 0099, 0238, 0239, 0399, 0563.	219	715727	Gear-Governor (Used After Code Date 99073100). ———— Note ———	225	710028	Shaft-Governor Gear
18	715189	Cover-Crankcase ———— Note ——— 715122 Cover-Crankcase Used on Type No(s). 0072, 0076, 0084, 0127, 0131, 0142, 0272, 0542, 0563, 0566, 0620. 715281 Cover-Crankcase Used on Type No(s). 0099, 0130, 0399.	220	710545	Washer (Governor Gear) (Used After Code Date 99073100). ———— Note ———	523A	715589	Dipstick (Used After Code Date 98013100). ———— Note ———
		715282 Cover-Crankcase Used on Type No(s). 0059, 0103, 0259, 0548, 0618. 715745 Cover-Crankcase Used on Type No(s). 0053, 0258, 0616, 0617.			710035 Washer (Governor Gear) (Used Before Code Date 99080100).		710217	Dipstick (Used Before Code Date 98020100).
20	★710215	Seal-Oil (PTO Side)				527	710100	Clamp-Tube
						718A	710034	Pin-Locating
						725	710259	Shield-Heat
						728	710023	Screw (Heat Shield)
						842A	★710218	Seal-O Ring (Dipstick)
						1056	710326	Flange-Mounting Plate Used on Type No(s). 0616.
						1226	710080	Screw (Mounting Plate Flange) Used on Type No(s). 0616.

★ Included in Engine Gasket Set-Ref. No. 358.
 Δ Included in Valve Gasket Set-Ref. No. 1095.

◆ Included in Carburetor Gasket Set-Ref. No. 977.
 ● Included in Carburetor Overhaul Kit-Ref. No. 121.

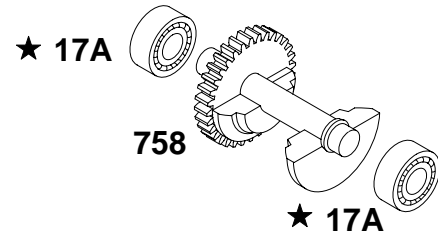
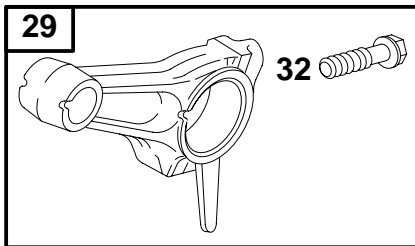
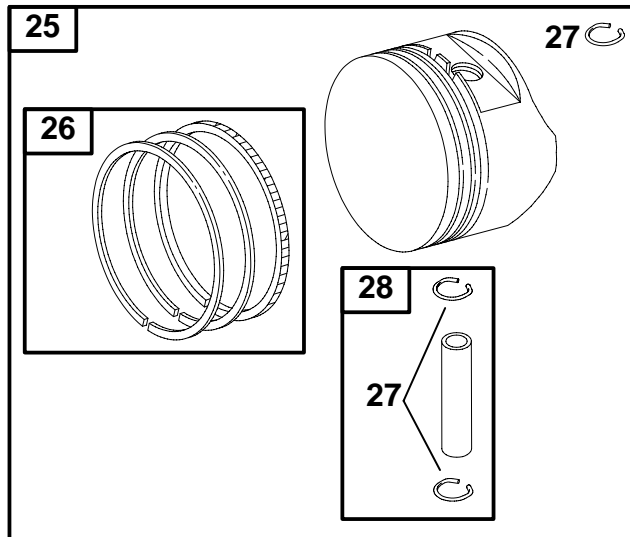


REF. NO.	PART NO.	DESCRIPTION	REF. NO.	PART NO.	DESCRIPTION	REF. NO.	PART NO.	DESCRIPTION
5	715089	Head-Cylinder	53	710233	Stud (Carburetor)(6MM X 90MM Long)	830	710016	Stud (Rocker Arm)
7	Δ710205	Gasket-Cylinder Head	53A	710592	Stud (Carburetor)(6MM X 85MM Long)	868	Δ711634	Seal-Valve (Used After Code Date 01123100).
13	710204	Screw (Cylinder Head)	53B	710398	Stud (Carburetor)(6MM X 95MM Long)	Note		
33	715085	Valve-Exhaust	192	710015	Adjuster-Rocker Arm	914	710023	Screw (Rocker Cover)
34	715754	Valve-Intake	296	710099	Stud (Muffler)	1022	Δ710206	Gasket-Rocker Cover
35	710209	Spring-Valve (Intake)	337	491055	Plug-Spark	1023	715091	Cover-Rocker
36	710209	Spring-Valve (Exhaust)	383	19374	Wrench-Spark Plug	1026	710210	Rod-Push
40	710012	Retainer-Valve	635	710634	Boot-Spark Plug	1029	710014	Arm-Rocker
42	715130	Keeper-Valve				1034	710203	Guide-Push Rod
45	710008	Tappet-Valve				1050	710007	Nut (Rocker Arm)

★ Included in Engine Gasket Set-Ref. No. 358.
 Δ Included in Valve Gasket Set-Ref. No. 1095.

◆ Included in Carburetor Gasket Set-Ref. No. 977.
 ● Included in Carburetor Overhaul Kit-Ref. No. 121.

185400

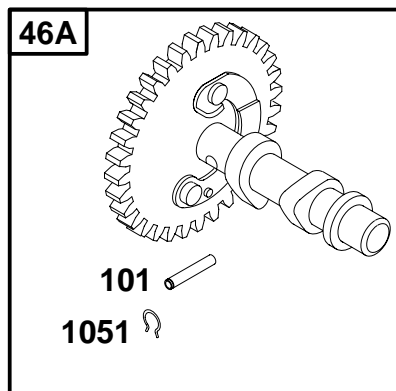
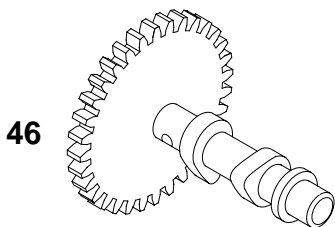


★ **REQUIRES SPECIAL TOOLS TO REPLACE. SEE REPAIR INSTRUCTION MANUAL.**

REF. NO.	PART NO.	DESCRIPTION	REF. NO.	PART NO.	DESCRIPTION	REF. NO.	PART NO.	DESCRIPTION
17A	710482	Bearing-Ball Used on Type No(s). 0039, 0084, 0099, 0238, 0239, 0399, 0563.	26	715111	Ring Set (Standard) ———— Note ——— 715112 Ring Set (.010" O.S.) 715113 Ring Set (.020" O.S.)	32	710221	Screw (Connecting Rod)
25	715645	Piston Assembly (Standard) ———— Note ——— 715649 Piston Assembly (.010" O.S.) 715651 Piston Assembly (.020" O.S.)	27	710220	Lock-Piston Pin	758	710481	Counterweight Used on Type No(s). 0038, 0039, 0084, 0099, 0238, 0239, 0399, 0563.
			28	715114	Pin-Piston			
			29	715106	Rod-Connecting (Standard) ———— Note ——— 715107 Rod- Connecting (.020" Undersize)			

★ Included in Engine Gasket Set-Ref. No. 358.
 Δ Included in Valve Gasket Set-Ref. No. 1095.

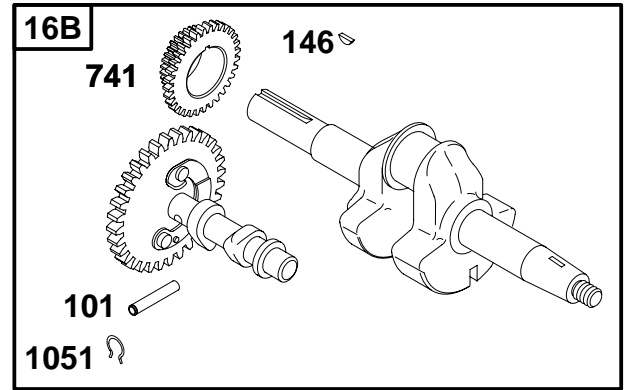
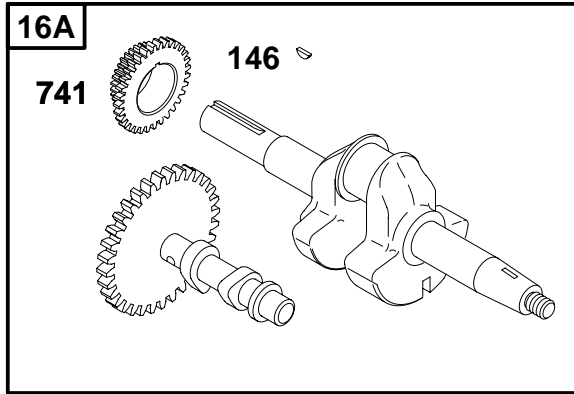
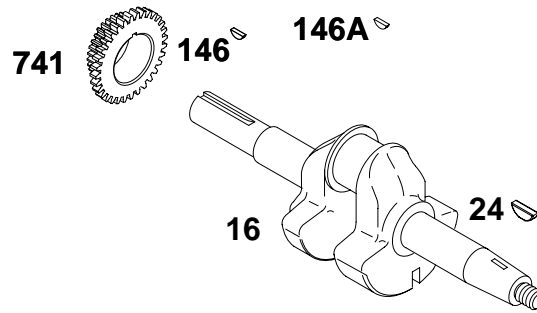
◆ Included in Carburetor Gasket Set-Ref. No. 977.
 ● Included in Carburetor Overhaul Kit-Ref. No. 121.



REF. NO.	PART NO.	DESCRIPTION	REF. NO.	PART NO.	DESCRIPTION	REF. NO.	PART NO.	DESCRIPTION
46	716007	Camshaft (Spur Gear, Without Compression Release) (Used After Code Date 03113000). Used on Type No(s). 0099, 0399. Note — 715653 Camshaft (Spur Gear, Without Compression Release) (Used After Code Date 99080200 and Before Code Date 03120100). Used on Type No(s). 0099, 0399. Note — Camshaft (Crankshaft, Camshaft, Timing Gear, And Timing Key Must Be Replaced As A Set. See Ref. No. 16A For Correct Part Number) (Used Before Code Date 99080300). Used on Type No(s). 0099, 0399.	46A	715667	Camshaft (Spur Gear, With Compression Release) (Used After Code Date 99080200). Note — Camshaft (Crankshaft, Camshaft, Timing Gear, And Timing Key Must Be Replaced As A Set. See Reference Number 16B, 16D, Or 16F For Correct Part Number) (Used Before Code Date 99080300). 715105 Camshaft (Helical Gear, With Compression Release) Used on Type No(s). 0072, 0127, 0131, 0142, 0156, 0272, 0542, 0549, 0563, 0566, 0620.	101	710219	Pin—Shaft
						1051	710039	Ring—Retaining

★ Included in Engine Gasket Set—Ref. No. 358.
 △ Included in Valve Gasket Set—Ref. No. 1095.

◆ Included in Carburetor Gasket Set—Ref. No. 977.
 ● Included in Carburetor Overhaul Kit—Ref. No. 121.



REF. NO.	PART NO.	DESCRIPTION	REF. NO.	PART NO.	DESCRIPTION	REF. NO.	PART NO.	DESCRIPTION
16	711565	Crankshaft (SAE 1" Keyway, Without Gear) (Used After Code Date 01043000). Used on Type No(s). 0035, 0037, 0039, 0044, 0046, 0076, 0084, 0087, 0136, 0137, 0141, 0145, 0235, 0236, 0238, 0246, 0251, 0259, 0273, 0276, 0284, 0513, 0538, 0539, 0545, 0547, 0548, 0553, 0554, 0559, 0562, 0565, .0612.			<p style="text-align: center;">————— Note —————</p> 710962 Crankshaft (SAE 1" Keyway, Without Gear) (Used After Code Date 99080200 and Before Code Date 01050100). Used on Type No(s). 0035, 0037, 0039, 0044, 0046, 0076, 0084, 0087, 0136, 0137, 0141, 0145, 0235, 0236, 0238, 0246, 0251, 0259, 0273, 0276, 0284, 0513, 0538, 0539, 0545, 0547, 0548, 0553, 0554, 0559, 0562, 0565, .0612. 711590 Crankshaft (SAE 1" Keyway Rolled, Without Gear) (Used After Code Date 99080200). Used on Type No(s). 0099, 0399.			711587 Crankshaft (JIS Keyway, Without Gear) (Used After Code Date 01043000). Used on Type No(s). 0053, 0617. 710967 Crankshaft (JIS Keyway, Without Gear) (Used After Code Date 99080200 and Before Code Date 01050100). Used on Type No(s). 0053, 0617. 16A 716010 Crankshaft (SAE 1" Keyway Rolled)(Crankshaft, Camshaft, Timing Gear, And Timing Key Must Be Replaced As A Set) (Used Before Code Date 99080300). Used on Type No(s). 0099, 0399.

★ Included in Engine Gasket Set—Ref. No. 358.
 △ Included in Valve Gasket Set—Ref. No. 1095.

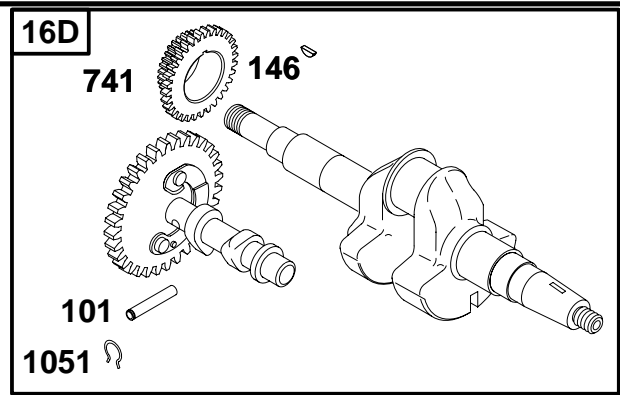
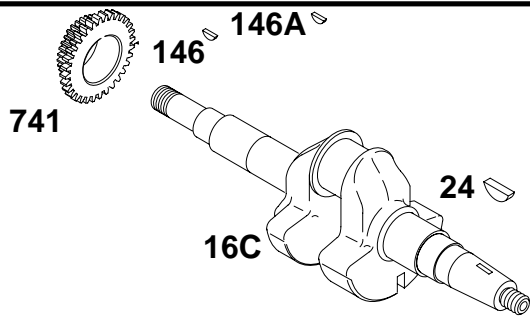
◆ Included in Carburetor Gasket Set—Ref. No. 977.
 ● Included in Carburetor Overhaul Kit—Ref. No. 121.

REF. NO.	PART NO.	DESCRIPTION	REF. NO.	PART NO.	DESCRIPTION	REF. NO.	PART NO.	DESCRIPTION
16B	716009	Crankshaft (SAE 1" Keyway) (Crankshaft, Camshaft, Timing Gear, And Timing Key Must Be Replaced As A Set) (Used Before Code Date 9908300). Used on Type No(s). 0035, 0037, 0039, 0044, 0046, 0076, 0084, 0087, 0136, 0137, 0141, 0145, 0235, 0236, 0238, 0246, 0251, 0259, 0273, 0276, 0284, 0513, 0538, 0539, 0545, 0547, 0548, 0553, 0554, 0559, 0562, 0565, .0612.			————— Note ————— 716013 Crankshaft (JIS Keyway) (Crankshaft, Camshaft, Timing Gear, And Timing Key Must Be Replaced As A Set) (Used Before Code Date 9908300). Used on Type No(s). 0053, 0617.	741	715643	Gear–Timing (Spur Gear)
			24	710037	Key–Flywheel	1051	710039	Ring–Retaining
			101	710219	Pin–Shaft			
			146	711336	Key–Timing (Used After Code Date 01043000).			
			146A	710037	Key–Timing (Used Before Code Date 01050100).			

★ Included in Engine Gasket Set–Ref. No. 358.
 Δ Included in Valve Gasket Set–Ref. No. 1095.

◆ Included in Carburetor Gasket Set–Ref. No. 977.
 ● Included in Carburetor Overhaul Kit–Ref. No. 121.

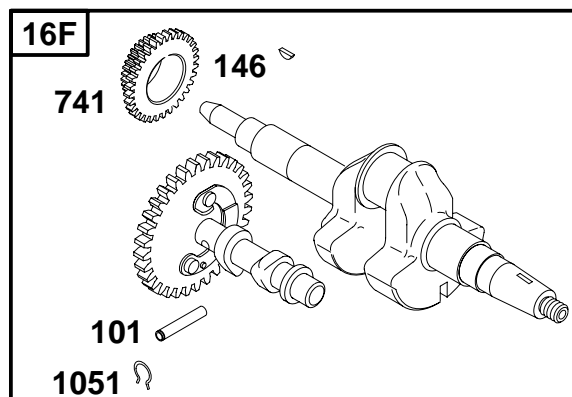
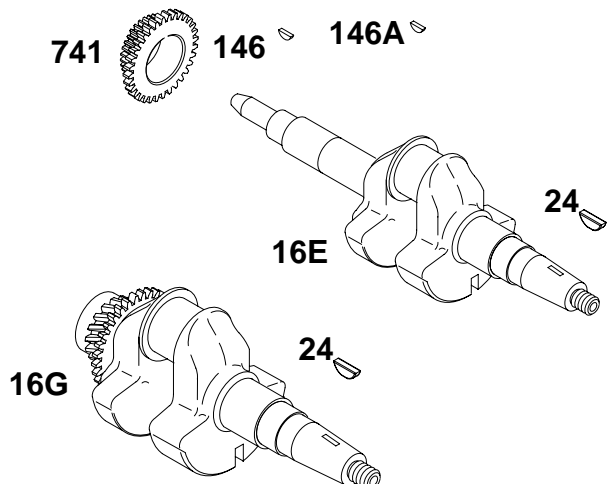
185400



REF. NO.	PART NO.	DESCRIPTION	REF. NO.	PART NO.	DESCRIPTION	REF. NO.	PART NO.	DESCRIPTION
16C	711591	Crankshaft (SAE 1" Threaded, Without Gear) (Used After Code Date 01043000). Used on Type No(s). 0043, 0047, 0247, 0297, 0543.	16D	716011	Crankshaft (SAE 1" Threaded) (Crankshaft, Camshaft, Timing Gear, And Timing Key Must Be Replaced As A Set) (Used Before Code Date 99080300) Used on Type No(s). 0043, 0047, 0247, 0297, 0543.	24	710037	Key-Flywheel
		Note 710964 Crankshaft (SAE 1" Threaded, Without Gear) (Used After Code Date 99080200 and Before Code Date 01050100). Used on Type No(s). 0043, 0047, 0247, 0297, 0543.			Note 716016 Crankshaft (SAE 5/8" Threaded) (Crankshaft, Camshaft, Timing Gear, And Timing Key Must Be Replaced As A Set) (Used Before Code Date 99080300) Used on Type No(s). 0512.	101	710219	Pin-Shaft
		711592 Crankshaft (SAE 5/8" Threaded, Without Gear) (Used After Code Date 01043000). Used on Type No(s). 0512.			716014 Crankshaft (JIS M20 Thread) (Crankshaft, Camshaft, Timing Gear, And Timing Key Must Be Replaced As A Set) (Used Before Code Date 99080300) Used on Type No(s). 0804.	146	711336	Key-Timing (Used After Code Date 01043000).
		710965 Crankshaft (SAE 5/8" Threaded, Without Gear) (Used After Code Date 99080200 and Before Code Date 01050100). Used on Type No(s). 0512.				146A	710037	Key-Timing (Used Before Code Date 01050100).
		711588 Crankshaft (JIS M20 Thread, Without Gear) (Used After Code Date 99080200). Used on Type No(s). 0804.				741	715643	Gear-Timing (Spur Gear)
						1051	710039	Ring-Retaining

★ Included in Engine Gasket Set-Ref. No. 358.
 △ Included in Valve Gasket Set-Ref. No. 1095.

◆ Included in Carburetor Gasket Set-Ref. No. 977.
 ● Included in Carburetor Overhaul Kit-Ref. No. 121.



REF. NO.	PART NO.	DESCRIPTION	REF. NO.	PART NO.	DESCRIPTION	REF. NO.	PART NO.	DESCRIPTION
16E	711585	Crankshaft (SAE Taper, Without Gear) (Used After Code Date 01043000). Used on Type No(s). 0041, 0042, 0051, 0054, 0070, 0074, 0075, 0077, 0080, 0081, 0082, 0088, 0090, 0103, 0107, 0110, 0121, 0122, 0242, 0251, 0254, 0255, 0270, 0271, 0274, 0275, 0280, 0290, 0293, 0295, 0298, 0546, 0552, 0560, 0567, 0606, 0609, 0613, 0614, 0615, 0618, 0621, 0623, 0624, 0626, 0627, 0628.			————— Note ————— 710963 Crankshaft (SAE Taper, Without Gear) (Used After Code Date 99080200 and Before Code Date 01050100). Used on Type No(s). 0041, 0042, 0051, 0054, 0070, 0074, 0075, 0077, 0080, 0081, 0082, 0088, 0090, 0103, 0107, 0110, 0121, 0122, 0242, 0251, 0254, 0255, 0270, 0271, 0274, 0275, 0280, 0290, 0293, 0295, 0298, 0546, 0552, 0560, 0567, 0606, 0609, 0613, 0614, 0615, 0618, 0621, 0623, 0624, 0626, 0627, 0628.			711589 Crankshaft (JIS Taper, Without Gear) (Used After Code Date 01043000). Used on Type No(s). 0258. 710966 Crankshaft (JIS Taper, Without Gear) (Used After Code Date 99080200 and Before Code Date 01050100). Used on Type No(s). 0258. 711586 Crankshaft (Italian Taper, Without Gear) (Used After Code Date 01043000). Used on Type No(s). 0616. 710968 Crankshaft (Italian Taper, Without Gear) (Used After Code Date 99080200 and Before Code Date 01050100). Used on Type No(s). 0616.

★ Included in Engine Gasket Set—Ref. No. 358.
△ Included in Valve Gasket Set—Ref. No. 1095.

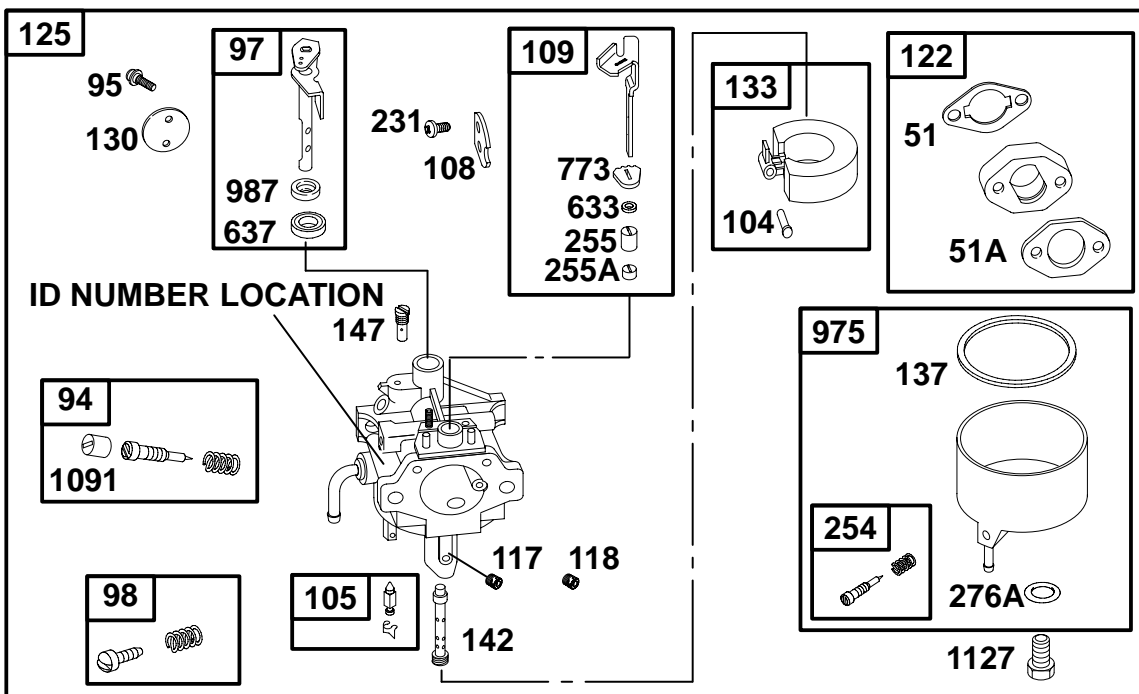
◆ Included in Carburetor Gasket Set—Ref. No. 977.
● Included in Carburetor Overhaul Kit—Ref. No. 121.

185400

REF. NO.	PART NO.	DESCRIPTION	REF. NO.	PART NO.	DESCRIPTION	REF. NO.	PART NO.	DESCRIPTION
16F	716008	Crankshaft (SAE Taper) (Crankshaft, Camshaft, Timing Gear, And Timing Key Must Be Replaced As A Set) (Used Before Code Date 99080300). Used on Type No(s). 0041, 0042, 0051, 0054, 0070, 0074, 0075, 0077, 0080, 0081, 0082, 0088, 0090, 0103, 0107, 0110, 0121, 0122, 0242, 0251, 0254, 0255, 0270, 0271, 0274, 0275, 0280, 0290, 0293, 0295, 0298, 0546, 0552, 0560, 0567, 0606, 0609, 0613, 0614, 0615, 0618, 0621, 0623, 0624, 0626, 0627, 0628.			————— Note ————— 716015 Crankshaft (JIS Taper) (Crankshaft, Camshaft, Timing Gear, And Timing Key Must Be Replaced As A Set) (Used Before Code Date 99080300). Used on Type No(s). 0258. 716012 Crankshaft (Italian Taper) (Crankshaft, Camshaft, Timing Gear, And Timing Key Must Be Replaced As A Set) (Used Before Code Date 99080300). Used on Type No(s). 0616.	16G	715103	Crankshaft (2:1 Gear Reduction, With Gear) Used on Type No(s). 0072, 0127, 0131, 0142, 0156, 0272, 0549, 0566, 0592, 0620.
						24	710037	Key–Flywheel
						101	710219	Pin–Shaft
						146	711336	Key–Timing (Used After Code Date 01043000).
						146A	710037	Key–Timing (Used Before Code Date 01050100).
						741	715643	Gear–Timing (Spur Gear)

★ Included in Engine Gasket Set–Ref. No. 358.
 Δ Included in Valve Gasket Set–Ref. No. 1095.

◆ Included in Carburetor Gasket Set–Ref. No. 977.
 ● Included in Carburetor Overhaul Kit–Ref. No. 121.



REF. NO.	PART NO.	DESCRIPTION	REF. NO.	PART NO.	DESCRIPTION	REF. NO.	PART NO.	DESCRIPTION
51	◆△★710235	Gasket-Intake	98	715074	Kit-Idle Speed	117	◆710877	Jet-Main
51A	◆△★710237	Gasket-Intake	104	◆710310	Pin-Float Hinge	<p>———— Note ————</p> <p>◆711607 Jet-Main</p> <p>Used on Type No(s). 0046, 0051, 0052, 0053, 0054, 0122, 0127, 0141, 0142, 0246, 0251, 0254, 0255, 0295, 0542, 0552, 0553, 0560, 0562, 0563, 0565, 0609, 0615, 0616, 0617, 0623, 0624.</p>		
94	715293	Kit-Idle Mixture	105	◆715155	Valve-Float Needle	118	710512	Jet-Main (High Altitude)
95	710859	Screw Throttle Valve) (Used After Code Date 94123100).	108	710860	Valve-Choke (Used After Code Date 94123100).	122	715120	Spacer-Carburetor
		———— Note ————			———— Note ————			
		94466 Screw (Throttle Valve) (Used Before Code Date 95010100).	109	715157	Shaft-Choke			
97	715154	Shaft-Throttle						
		———— Note ————						
		715637 Shaft-Throttle Used on Type No(s). 0242, 0293, 0298.						

★ Included in Engine Gasket Set-Ref. No. 358.
 △ Included in Valve Gasket Set-Ref. No. 1095.

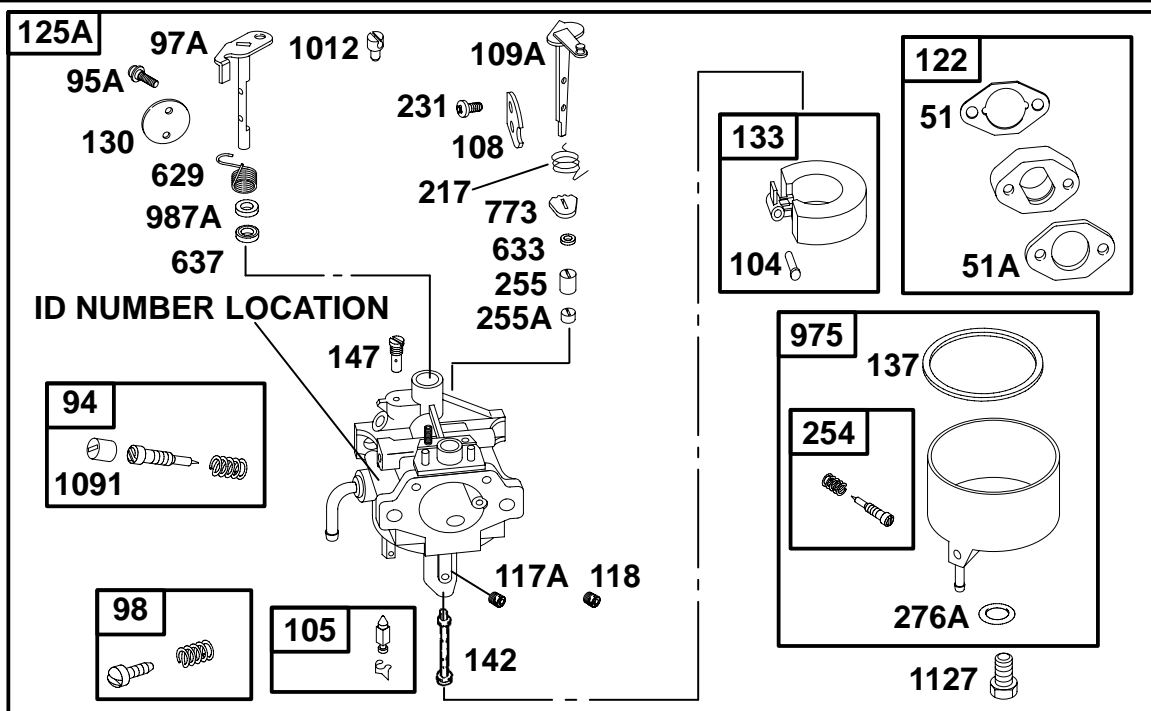
◆ Included in Carburetor Gasket Set-Ref. No. 977.
 ● Included in Carburetor Overhaul Kit-Ref. No. 121.

185400

REF. NO.	PART NO.	DESCRIPTION	REF. NO.	PART NO.	DESCRIPTION	REF. NO.	PART NO.	DESCRIPTION
125	715668	Carburetor Used on Type No(s). 0035, 0038, 0039, 0043, 0047, 0059, 0070, 0072, 0074, 0076, 0080, 0084, 0086, 0087, 0088, 0090, 0103, 0106, 0107, 0112, 0130, 0131, 0136, 0137, 0145, 0156, 0235, 0236, 0238, 0247, 0258, 0259, 0270, 0272, 0273, 0274, 0276, 0280, 0284, 0290, 0297, 0512, 0538, 0539, 0543, 0545, 0547, 0548, 0549, 0554, 0566, 0612, 0618, 0620, 0626, 0631, 0800, 0801, 0802, 0803, 0804, 0806, 0807, 0808. ———— Note ——— 715669 Carburetor (Used After Code Date 94123100). Used on Type No(s). 0042, 0110, 0567. 715217 Carburetor (Used Before Code Date 95010100). Used on Type No(s). 0042, 0110. 715670 Carburetor Used on Type No(s). 0037, 0041, 0044, 0071, 0075, 0077, 0078, 0081, 0082, 0121, 0271, 0275, 0546, 0559, 0606, 0613, 0614. 715671 Carburetor Used on Type No(s). 0042, 0242, 0293, 0298.			715672 Carburetor Used on Type No(s). 0046, 0051, 0052, 0053, 0054, 0122, 0127, 0141, 0142, 0246, 0251, 0254, 0255, 0295, 0542, 0552, 0553, 0560, 0562, 0563, 0565, 0609, 0616, 0617, 0623, 0624. 716027 Carburetor (Used After Code Date 99080200). Used on Type No(s). 0615, 715729 Carburetor (Used Before Code Date 99080300). Used on Type No(s). 0615, 130 710323 Valve—Throttle ———— Note ——— 711603 Valve—Throttle Used on Type No(s). 0046, 0051, 0052, 0053, 0054, 0122, 0127, 0141, 0142, 0246, 0251, 0254, 0255, 0295, 0542, 0552, 0553, 0560, 0562, 0563, 0565, 0609, 0615, 0616, 0617, 0623, 0624. 133 492283 Float—Carburetor 137 ◆ Gasket—Float Bowl (Sold in Kit Only) 142 ◆ 710317 Nozzle—Carburetor ———— Note ——— 711605 Nozzle— Carburetor Used on Type No(s). 0046, 0051, 0052, 0053, 0054, 0122, 0127, 0141, 0142, 0246, 0251, 0254, 0255, 0295, 0542, 0552, 0553, 0560, 0562, 0563, 0565, 0609, 0615, 0616, 0617, 0623, 0624.			147 ◆ 710321 Jet—Pilot ———— Note ——— 710511 Jet—Pilot (High Altitude) 231 710683 Screw (Choke Valve) 254 492274 Drain—Carburetor Bowl 255 ◆ 710177 Bushing—Choke Shaft (Upper) 255A ◆ 710312 Bushing—Choke Shaft (Lower) 276A ◆ Washer—Sealing (Sold in Kit Only) 633 ◆ Seal—Choke/Throttle Shaft (Sold in Kit Only) 637 ◆ Washer (Throttle Shaft) (Sold in Kit Only) 773 ◆ 710175 Retainer 975 715159 Bowl—Float 987 ◆ 710185 Seal—Throttle Shaft 1091 710485 Cap—Limiter 1127 710314 Screw (Float Bowl)

★ Included in Engine Gasket Set—Ref. No. 358.
△ Included in Valve Gasket Set—Ref. No. 1095.

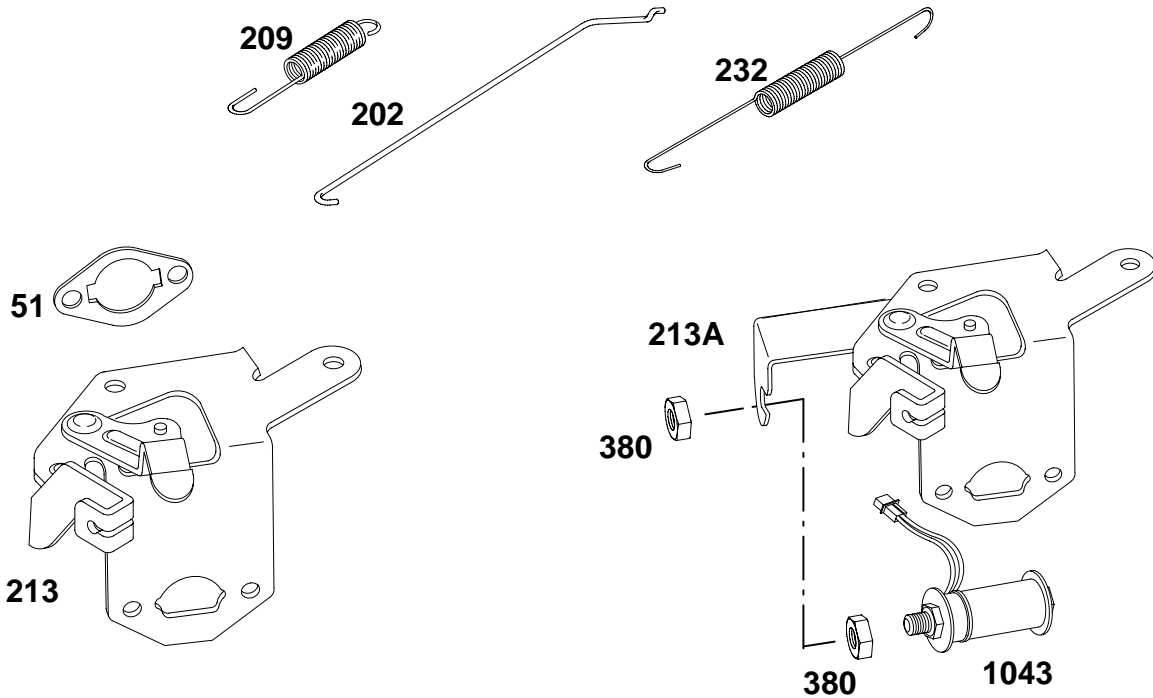
◆ Included in Carburetor Gasket Set—Ref. No. 977.
● Included in Carburetor Overhaul Kit—Ref. No. 121.



REF. NO.	PART NO.	DESCRIPTION	REF. NO.	PART NO.	DESCRIPTION	REF. NO.	PART NO.	DESCRIPTION
51	710235	Gasket-Intake	117A	711679	Jet-Main	254	492274	Drain-Carburetor Bowl
51A	710237	Gasket-Intake			Used on Type No(s). 0399.	255	710177	Bushing-Choke Shaft (Upper)
94	715293	Kit-Idle Mixture			Note	255A	710312	Bushing-Choke Shaft (Lower)
95A	710859	Screw (Throttle Valve)			710316 Jet-Main	276A	◆	Washer-Sealing (Sold In Kit Only)
		Used on Type No(s). 0399.			Used on Type No(s). 0099.	629	710456	Spring-Throttle Return
		Note	118	710512	Jet-Main (High Altitude)	633	◆	Seal-Choke/Throttle Shaft (Sold in Kit Only)
		710856 Screw (Throttle Valve)			Used on Type No(s). 0099.	637	◆	Washer (Throttle Shaft) (Sold in Kit Only)
97A	710458	Shaft-Throttle	122	715120	Spacer-Carburetor	773	710175	Retainer
98	715074	Kit-Idle Speed	125A	715572	Carburetor	975	715159	Bowl-Float
104	710310	Pin-Float Hinge			Used on Type No(s). 0099, 0399.	987A	710460	Seal-Throttle Shaft
105	715155	Valve-Float Needle	130	710323	Valve-Throttle	1012	280861	Retainer-Link
108	710860	Valve-Choke (Used After Code Date 94123100).	133	492283	Float-Carburetor	1091	710485	Cap-Limiter
		Note	137	◆	Gasket-Float Bowl (Sold In Kit Only)	1127	710314	Screw (Float Bowl)
		710322 Valve-Choke (Used Before Code Date 95010100).	142	710317	Nozzle-Carburetor			
109A	710457	Shaft-Choke	147	710321	Jet-Pilot			
					Note			
					710511 Jet-Pilot (High Altitude)			
			217	710455	Spring-Choke Return			
			231	710683	Screw (Choke Valve)			
					Used on Type No(s). 0399.			
					Note			
					710191 Screw (Choke Valve)			
					Used on Type No(s). 0099.			

★ Included in Engine Gasket Set-Ref. No. 358.
 △ Included in Valve Gasket Set-Ref. No. 1095.

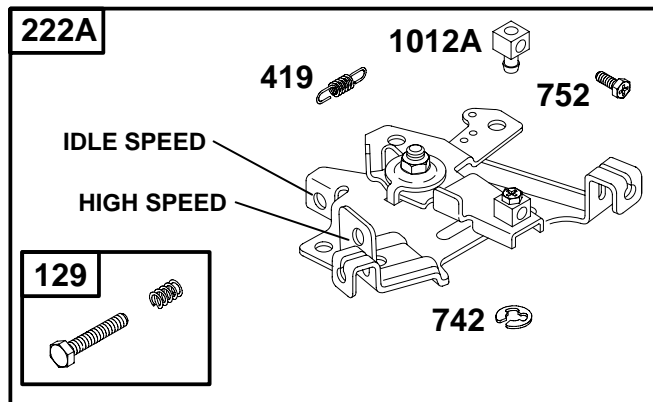
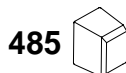
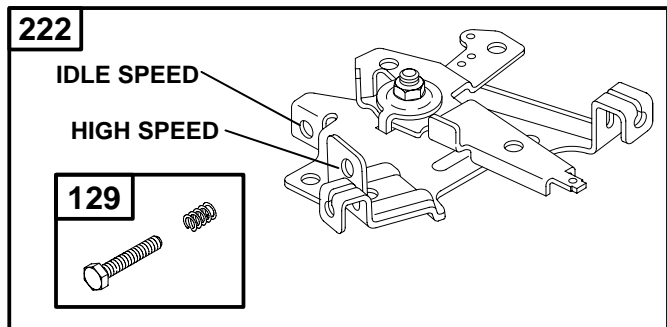
◆ Included in Carburetor Gasket Set-Ref. No. 977.
 ● Included in Carburetor Overhaul Kit-Ref. No. 121.



REF. NO.	PART NO.	DESCRIPTION	REF. NO.	PART NO.	DESCRIPTION	REF. NO.	PART NO.	DESCRIPTION
51	710235	Gasket-Intake		710256	Spring-Governor		710284	Spring-Governor
209	710873	Spring-Governor (Used After Code Date 99073100).			(Used Before Code Date 99080100). Used on Type No(s). 0041, 0071, 0074, 0076, 0077, 0156, 0242, 0251, 0549.			(Used Before Code Date 99080100). Used on Type No(s). 0051, 0078, 0082, 0090, 0107.
		Note		710875	Spring-Governor	213	710492	Bracket-Choke Control
		710258 Spring-Governor (Used Before Code Date 99080100).			(Used After Code Date 99073100). Used on Type No(s). 0041, 0042, 0070, 0071, 0074, 0075, 0076, 0077, 0127, 0131, 0142, 0156, 0242, 0270, 0271, 0272, 0274, 0275, 0293, 0298, 0542, 0549, 0563, 0567, 0606, 0613, 0614, 0801.	213A	710493	Bracket-Choke Control
		710874 Spring-Governor (Used After Code Date 99073100).			Used on Type No(s). 0051, 0070, 0078, 0080, 0081, 0082, 0090, 0107, 0121, 0122, 0251, 0254, 0255, 0258, 0280, 0290, 0295, 0546, 0547, 0552, 0609, 0615, 0618, 0621, 0623, 0624, 0626, 0627, 0628, 0800.	202	710240	Link-Mechanical Governor
						232	710241	Spring-Governor Link
						380	710068	Nut (Electro Magnet)
						1043	692955	Magnet-Electro

★ Included in Engine Gasket Set-Ref. No. 358.
 Δ Included in Valve Gasket Set-Ref. No. 1095.

◆ Included in Carburetor Gasket Set-Ref. No. 977.
 ● Included in Carburetor Overhaul Kit-Ref. No. 121.

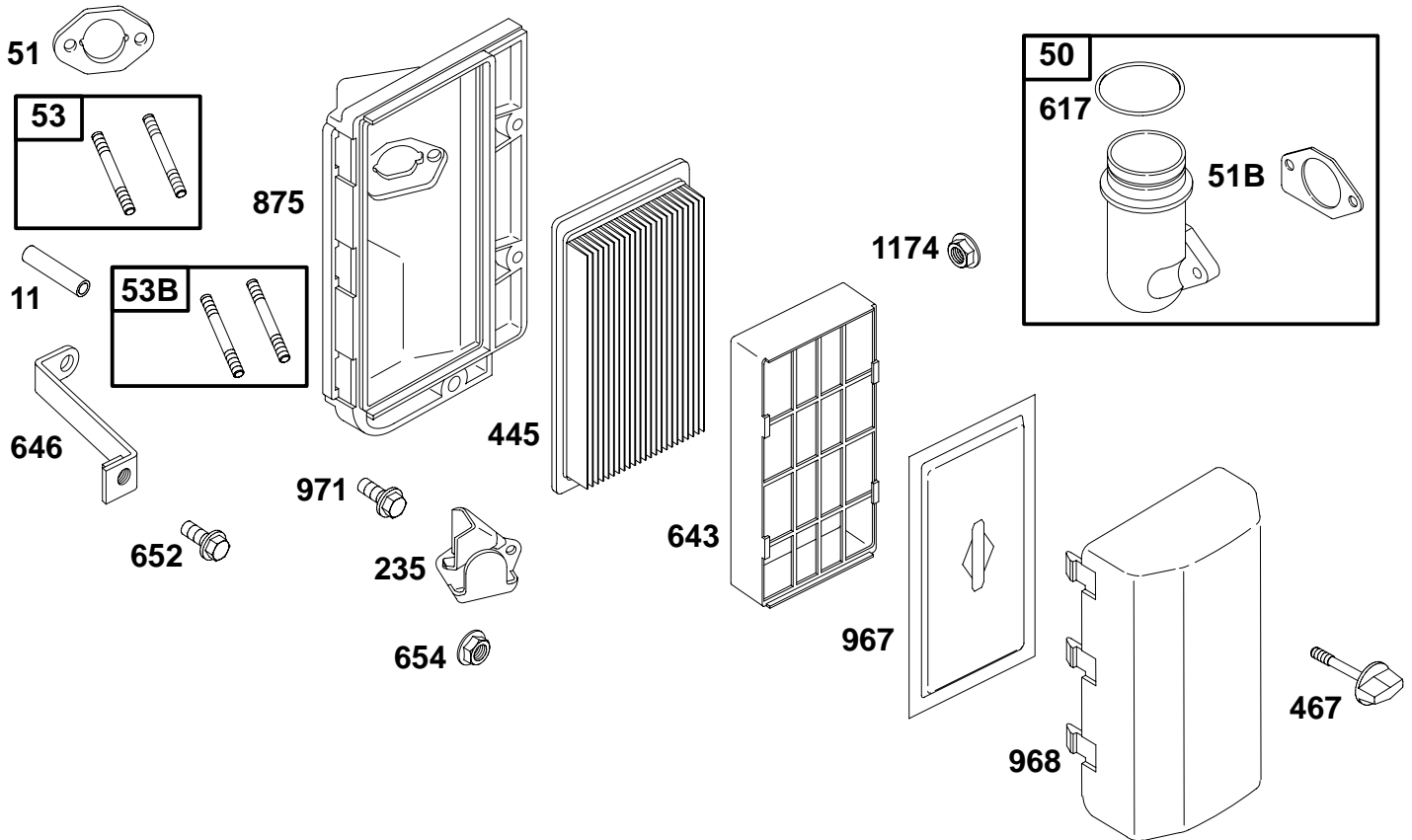


REF. NO.	PART NO.	DESCRIPTION	REF. NO.	PART NO.	DESCRIPTION	REF. NO.	PART NO.	DESCRIPTION
129	715170	Screw/Spring–Governor Speed (Idle & High Speed Adjustments) Note 715024 Screw/Spring–Governor Speed (Idle & High Speed Adjustments) Used on Type No(s). 0035, 0037, 0039, 0043, 0044, 0046, 0047, 0053, 0059, 0072, 0076, 0084, 0088, 0103, 0106, 0112, 0137, 0145, 0235, 0236, 0238, 0239, 0246, 0247, 0259, 0276, 0284, 0297, 0512, 0543, 0545, 0553, 0554, 0559, 0562, 0565, 0566, 0612, 0616, 0617, 0620, 0804.	188	710057	Screw (Control Bracket)	222A	715676	Bracket–Control Used on Type No(s). 0538, 0539, 0548.
222	715046	Bracket–Control Note 715025 Bracket–Control Used on Type No(s). 0035, 0037, 0039, 0043, 0044, 0046, 0047, 0053, 0059, 0072, 0076, 0084, 0088, 0103, 0106, 0112, 0137, 0145, 0235, 0236, 0238, 0239, 0246, 0247, 0259, 0276, 0284, 0297, 0512, 0543, 0545, 0553, 0554, 0559, 0562, 0565, 0566, 0612, 0616, 0617, 0620, 0804. 715747 Bracket–Control Used on Type No(s). 0122, 0560, 0615.	419	710475	Spring–Return	485	692295	Knob–Control
			742	710477	Retainer–E Ring	752	710478	Screw (Link Retainer)
			1012A	710855	Retainer–Link			

★ Included in Engine Gasket Set–Ref. No. 358.
 △ Included in Valve Gasket Set–Ref. No. 1095.

◆ Included in Carburetor Gasket Set–Ref. No. 977.
 ● Included in Carburetor Overhaul Kit–Ref. No. 121.

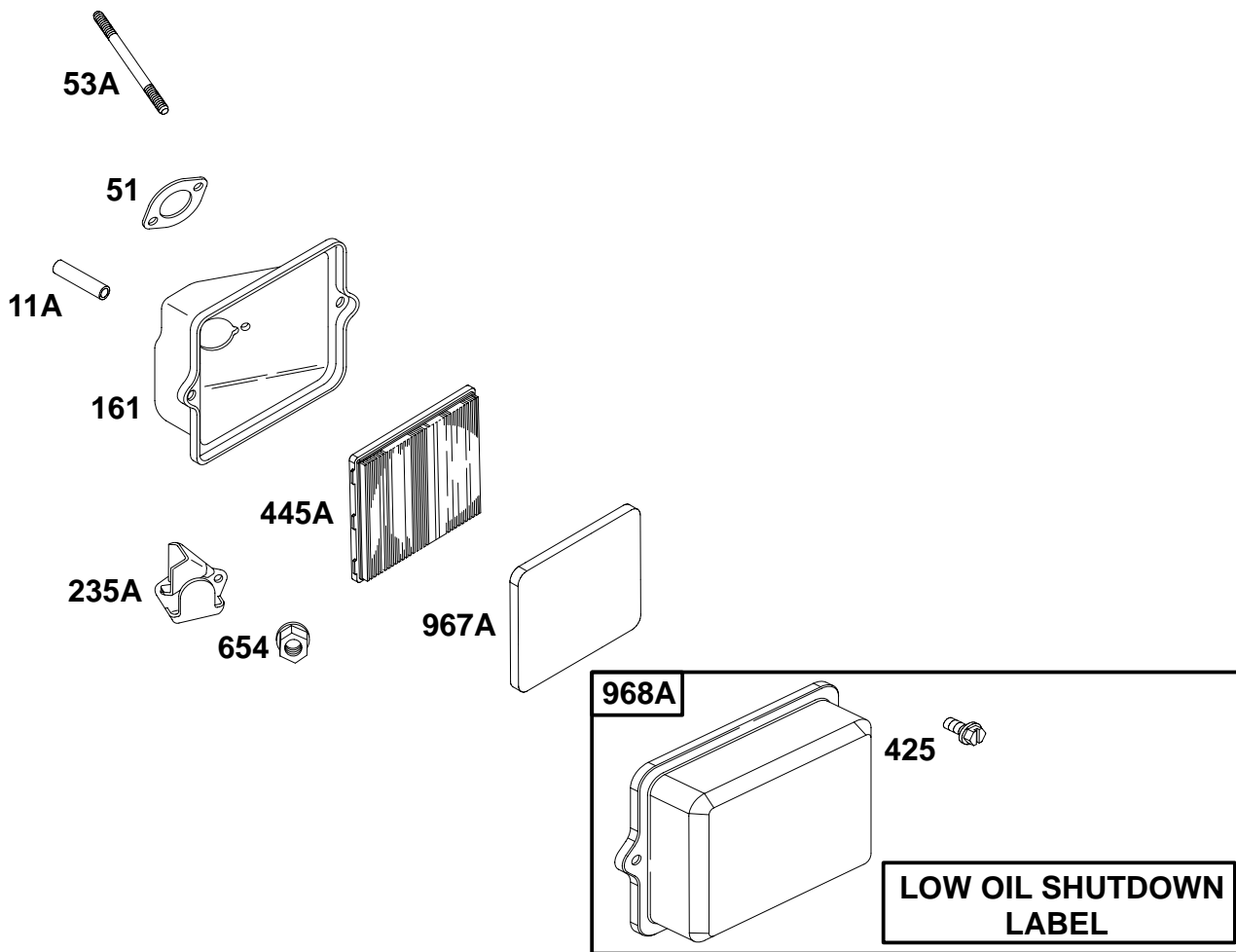
185400



REF. NO.	PART NO.	DESCRIPTION	REF. NO.	PART NO.	DESCRIPTION	REF. NO.	PART NO.	DESCRIPTION
11	710115	Tube-Breather	235	710229	Shield-Fuel Spray	967	710268	Filter-Pre Cleaner
50	691368	Manifold-Intake Used on Type No(s). 0099, 0399.	445	710266	Filter-Air Cleaner Cartridge	968	710227	Cover-Air Cleaner
51◆△★	710235	Gasket-Intake	467	710113	Knob-Air Cleaner	971	710023	Screw (Air Cleaner Base to Carburetor)
51B	691878	Gasket-Intake	617	690591	Seal-O Ring (Intake Manifold)	1174	710068	Nut (Intake Manifold)
53	710233	Stud (Carburetor)(6MM X 90MM Long)	643	710228	Retainer-Air Filter			
53B	710398	Stud (Carburetor)(6MM X 95MM Long) Used on Type No(s). 0099, 0399.	646	710232	Brace-Air Cleaner			
			652	710234	Screw (Support Bracket)			
			654	710068	Nut (Carburetor)			
			875	710226	Base-Air Cleaner (Plastic)			

★ Included in Engine Gasket Set-Ref. No. 358.
 △ Included in Valve Gasket Set-Ref. No. 1095.

◆ Included in Carburetor Gasket Set-Ref. No. 977.
 ● Included in Carburetor Overhaul Kit-Ref. No. 121.

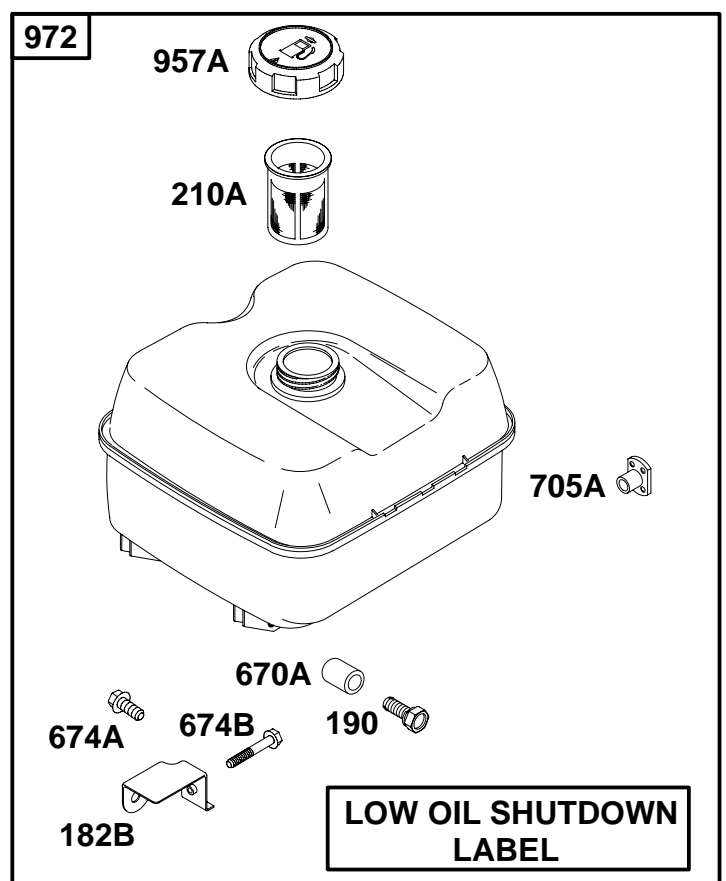
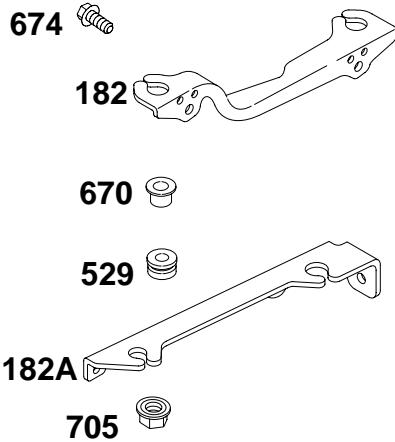
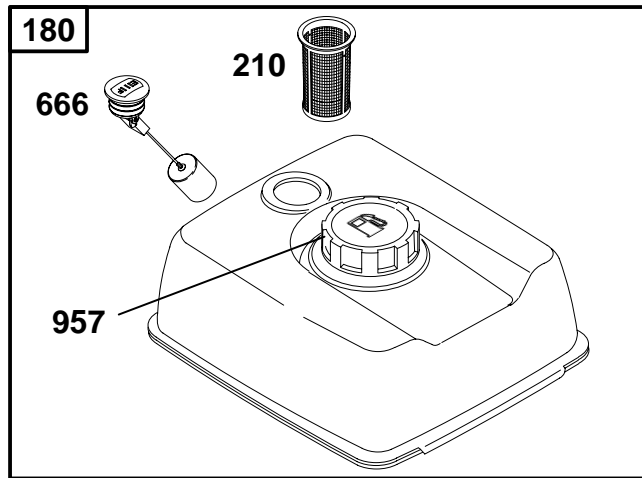


REF. NO.	PART NO.	DESCRIPTION	REF. NO.	PART NO.	DESCRIPTION	REF. NO.	PART NO.	DESCRIPTION
11A	710555	Tube-Breather	235A	710591	Shield-Fuel Spray	967A	491435	Filter-Pre Cleaner
51	710235	Gasket-Intake	425	694515	Screw (Air Cleaner Cover)	968A	692321	Cover-Air Cleaner
53A	710592	Stud (Carburetor)(6MM X 85MM Long)	445A	491588	Filter-Air Cleaner Cartridge			
161	710590	Base-Air Cleaner (Metal)	654	710068	Nut (Carburetor)			

★ Included in Engine Gasket Set-Ref. No. 358.
 Δ Included in Valve Gasket Set-Ref. No. 1095.

◆ Included in Carburetor Gasket Set-Ref. No. 977.
 ● Included in Carburetor Overhaul Kit-Ref. No. 121.

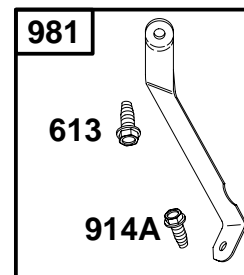
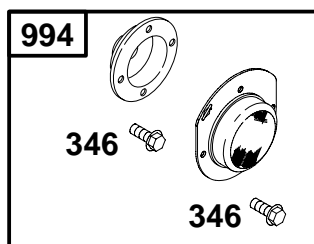
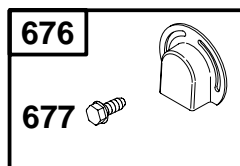
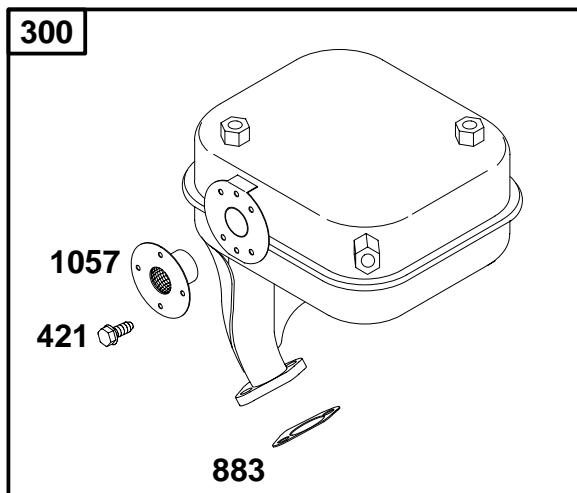
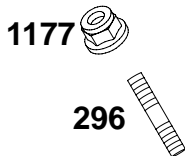
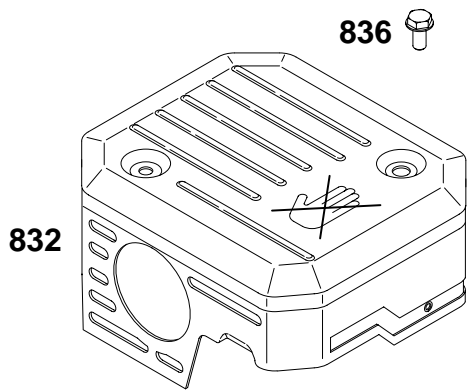
185400



REF. NO.	PART NO.	DESCRIPTION	REF. NO.	PART NO.	DESCRIPTION	REF. NO.	PART NO.	DESCRIPTION
180	715328	Tank-Fuel (Metal)	670	710247	Spacer-Fuel Tank	705A	710509	Nut (Fuel Tank) (Used Before Code Date 98091400).
182	710244	Bracket-Fuel Tank	670A	710508	Spacer-Fuel Tank	957	710490	Cap-Fuel Tank (Plastic)
182A	710245	Bracket-Fuel Tank	674	710248	Screw (Fuel Tank Bracket)	957A	491367	Cap-Fuel Tank (Plastic)
182B	710491	Bracket-Fuel Tank	674A	710023	Screw (Fuel Tank Bracket)	972	715516	Tank-Fuel (Plastic)
190	710047	Screw (Fuel Tank)	674B	710095	Screw (Fuel Tank Bracket)			
210	710065	Strainer-Fuel	705	710068	Nut (Fuel Tank)			
210A	691370	Strainer-Fuel						
529	710246	Grommet						
666	710243	Gauge-Fuel						

★ Included in Engine Gasket Set-Ref. No. 358.
 △ Included in Valve Gasket Set-Ref. No. 1095.

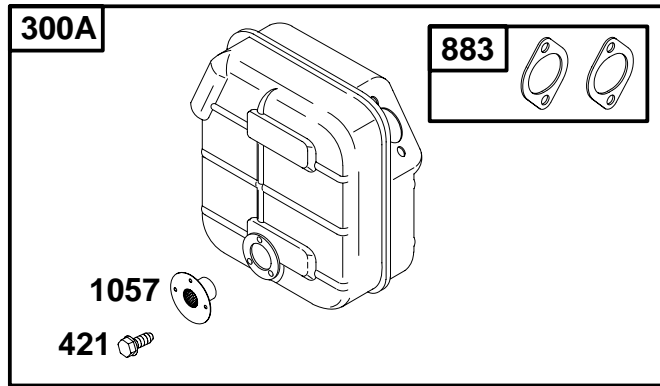
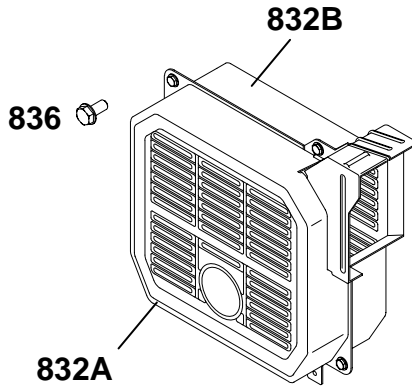
◆ Included in Carburetor Gasket Set-Ref. No. 977.
 ● Included in Carburetor Overhaul Kit-Ref. No. 121.



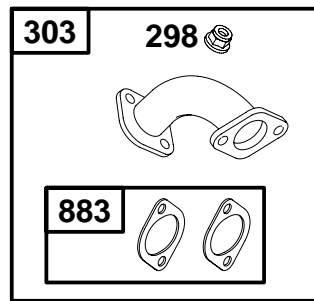
REF. NO.	PART NO.	DESCRIPTION	REF. NO.	PART NO.	DESCRIPTION	REF. NO.	PART NO.	DESCRIPTION
296	710099	Stud (Muffler)	613	710057	Screw (Muffler)	883	Δ★710250	Gasket-Exhaust
300	715523	Muffler (High Mount)	676	715230	Deflector-Muffler	914A	710248	Screw (Rocker Cover)
346	690661	Screw (Spark Arrester)	677	710307	Screw (Muffler Deflector)	981	715495	Brace-Muffler
421	710307	Screw (Outlet Screen)	832	710334	Guard-Muffler (High Mount)	994	715491	Arrestor-Spark
			836	710074	Screw (Muffler Guard)	1057	710331	Screen-Outlet
						1177	710081	Nut (Muffler)

★ Included in Engine Gasket Set-Ref. No. 358.
 Δ Included in Valve Gasket Set-Ref. No. 1095.

◆ Included in Carburetor Gasket Set-Ref. No. 977.
 ● Included in Carburetor Overhaul Kit-Ref. No. 121.



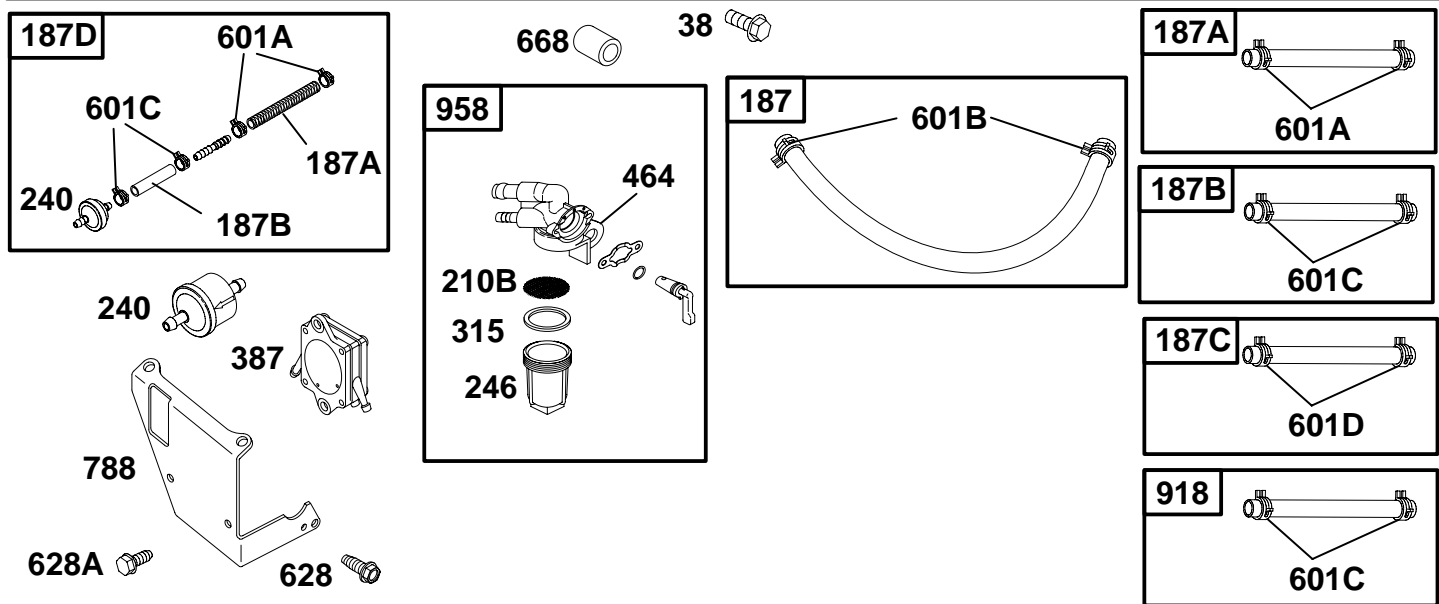
NOTE: This muffler is intended for replacement purposes only and is not to be used for retrofitting to engines with different exhaust systems.



REF. NO.	PART NO.	DESCRIPTION	REF. NO.	PART NO.	DESCRIPTION	REF. NO.	PART NO.	DESCRIPTION
298	710090	Locknut-Muffler/Elbow	832A	710791	Guard-Muffler (Low Mount)(Front)	883	Δ★710250	Gasket-Exhaust
300A	715600	Muffler (Low Mount)	832B	710792	Guard-Muffler (Low Mount)(Rear)	1057	710331	Screen-Outlet
303	715601	Elbow-Exhaust (Low Mount)	836	710074	Screw (Muffler Guard)			
421	710307	Screw (Outlet Screen)						

★ Included in Engine Gasket Set-Ref. No. 358.
 Δ Included in Valve Gasket Set-Ref. No. 1095.

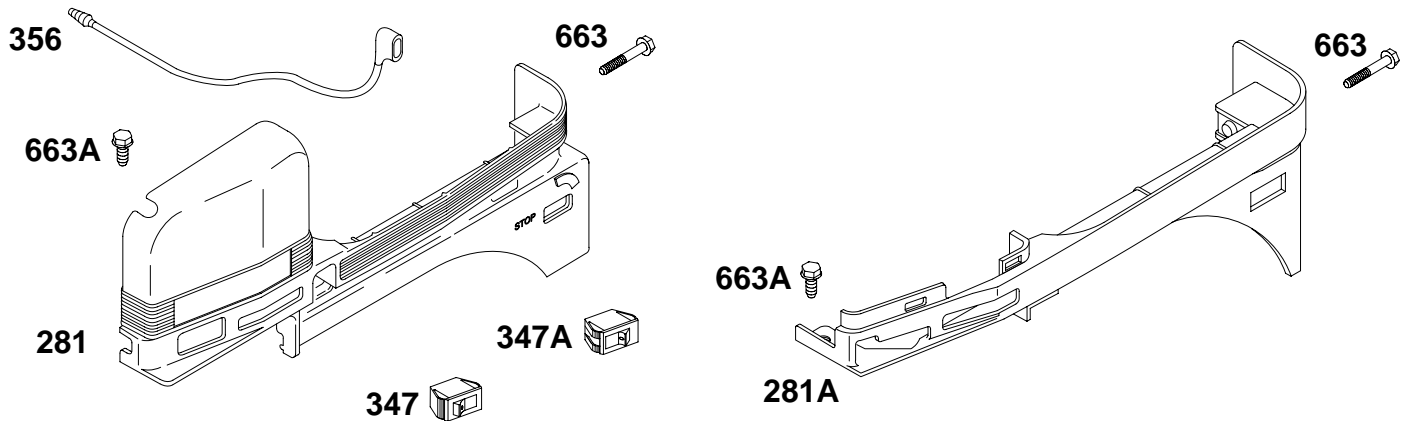
◆ Included in Carburetor Gasket Set-Ref. No. 977.
 ● Included in Carburetor Overhaul Kit-Ref. No. 121.



REF. NO.	PART NO.	DESCRIPTION	REF. NO.	PART NO.	DESCRIPTION	REF. NO.	PART NO.	DESCRIPTION
38	710160	Screw (Shut Off Valve)	246	710070	Bowl-Filter	668	710159	Spacer
187	715125	Line-Fuel (8mm Inside Diameter) (Cut To Required Length)	315	★710072	Seal-O Ring (Filter Bowl)	788	710392	Bracket-Fuel Pump Used on Type No(s). 0052, 0059, 0103, 0259, 0548, 0618.
187A	715730	Line-Fuel (4mm Inside Diameter) (Cut To Required Length)	387	808656	Pump-Fuel Used on Type No(s). 0099, 0399.	918	499214	Hose-Vacuum (1/4 Inch Inside Diameter)(Cut To Required Length)
187B	296004	Line-Fuel (1/4 Inch Inside Diameter) (Cut To Required Length)	464	★710069	Seal-O Ring (Fuel Shut Off Valve)	958	715027	Valve-Fuel Shut Off (Plastic) Note 715224 Valve-Fuel Shut Off (Plastic) Used on Type No(s). 0052, 0059, 0103, 0259, 0548, 0615, 0618.
187C	715891	Line-Fuel (6mm Inside Diameter) (Cut To Required Length)	601A	710075	Clamp-Hose			
187D	715172	Line-Fuel	601B	710067	Clamp-Hose			
210B	710071	Strainer-Fuel	601C	95162	Clamp-Hose			
240	298090	Filter-Fuel Note 691035 Filter-Fuel Used on Type No(s). 0099, 0399.	601D	691038	Clamp-Hose			
			628	710248	Screw (Fuel Pump Bracket)			
			628A	710234	Screw (Fuel Pump Bracket)			

★ Included in Engine Gasket Set-Ref. No. 358.
 Δ Included in Valve Gasket Set-Ref. No. 1095.

◆ Included in Carburetor Gasket Set-Ref. No. 977.
 ● Included in Carburetor Overhaul Kit-Ref. No. 121.

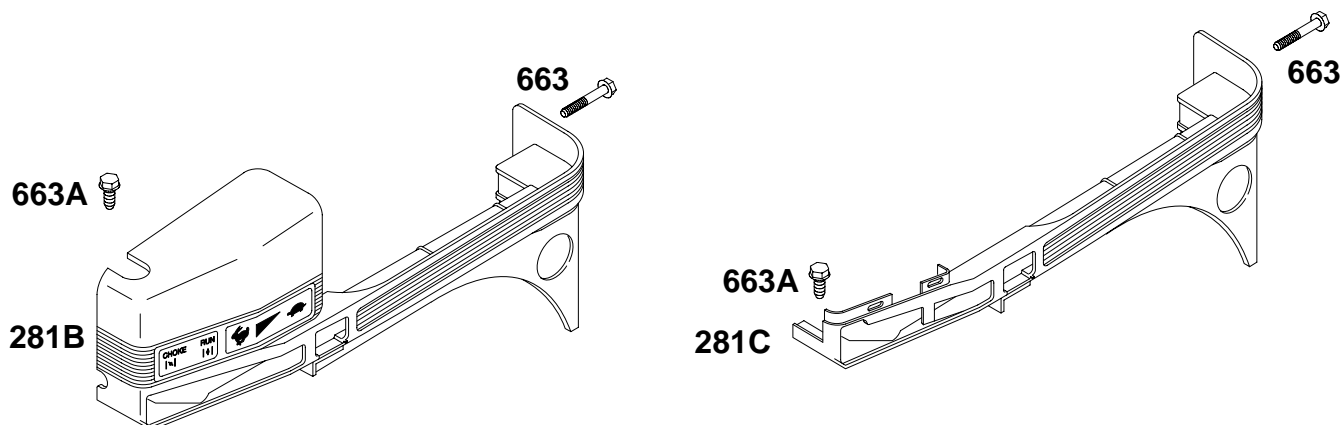


1036 EMISSION LABEL

REF. NO.	PART NO.	DESCRIPTION	REF. NO.	PART NO.	DESCRIPTION	REF. NO.	PART NO.	DESCRIPTION
281	711573	Panel-Control (Used After Code Date 03063000). Note 711552 Panel-Control (Used Before Code Date 03070100). 711575 Panel-Control (Used After Code Date 03063000). Used on Type No(s). 0271, 0613, 0614. 711570 Panel-Control (Used Before Code Date 03070100). Used on Type No(s). 0271, 0613, 0614.	281A	711578	Panel-Control (Used After Code Date 03063000). Used on Type No(s). 0037, 0042, 0121, 0242, 0547, 0567, 0606, 0609. Note 711572 Panel-Control (Used Before Code Date 03070100). Used on Type No(s). 0037, 0042, 0121, 0242, 0547, 0567, 0606, 0609.	356	710120	Wire-Stop
						663	710095	Screw (Control Panel)
						663A	710234	Screw (Control Panel)
						1036	710969	Label-Emission (Used After Code Date 00063000). Note 710864 Label-Emission (Used After Code Date 98123100 and Before Code Date 00070100). 499352 Label-Emission (Used After Code Date 97063000 and Before Code Date 9901010). 499351 Label-Emission (Used Before Code Date 97070100).
			347	691995	Switch-Rocker (Without Light)			
			347A	495098	Switch-Rocker (With Light)			

★ Included in Engine Gasket Set-Ref. No. 358.
 △ Included in Valve Gasket Set-Ref. No. 1095.

◆ Included in Carburetor Gasket Set-Ref. No. 977.
 ● Included in Carburetor Overhaul Kit-Ref. No. 121.

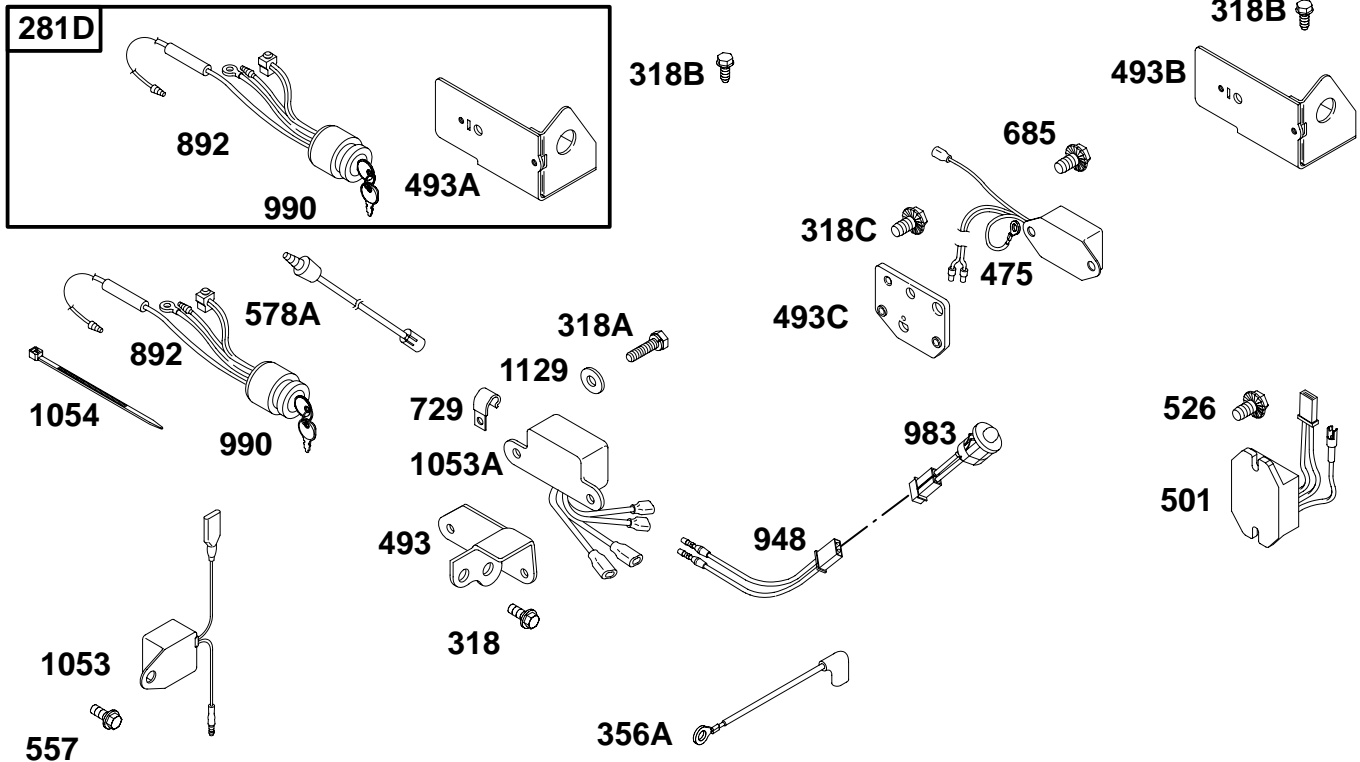


REF. NO.	PART NO.	DESCRIPTION	REF. NO.	PART NO.	DESCRIPTION	REF. NO.	PART NO.	DESCRIPTION
281B	711574	Panel-Control (Used After Code Date 03063000). Used on Type No(s). 0039, 0044, 0074, 0075, 0076, 0080, 0081, 0084, 0254, 0259, 0274, 0275, 0276, 0280, 0284, 0295, 0298, 0512, 0539, 0543, 0554, 0562, 0620.			Note 711569 Panel-Control (Used Before Code Date 03070100). Used on Type No(s). 0039, 0044, 0074, 0075, 0076, 0080, 0081, 0084, 0254, 0259, 0274, 0275, 0276, 0280, 0284, 0295, 0298, 0512, 0539, 0543, 0554, 0562, 0620.	281C	711577	Panel-Control Used on Type No(s). 0077, 0255, 0623, 0626, 0628.
						663	710095	Screw (Control Panel)
						663A	710234	Screw (Control Panel)

★ Included in Engine Gasket Set-Ref. No. 358.
 Δ Included in Valve Gasket Set-Ref. No. 1095.

◆ Included in Carburetor Gasket Set-Ref. No. 977.
 ● Included in Carburetor Overhaul Kit-Ref. No. 121.

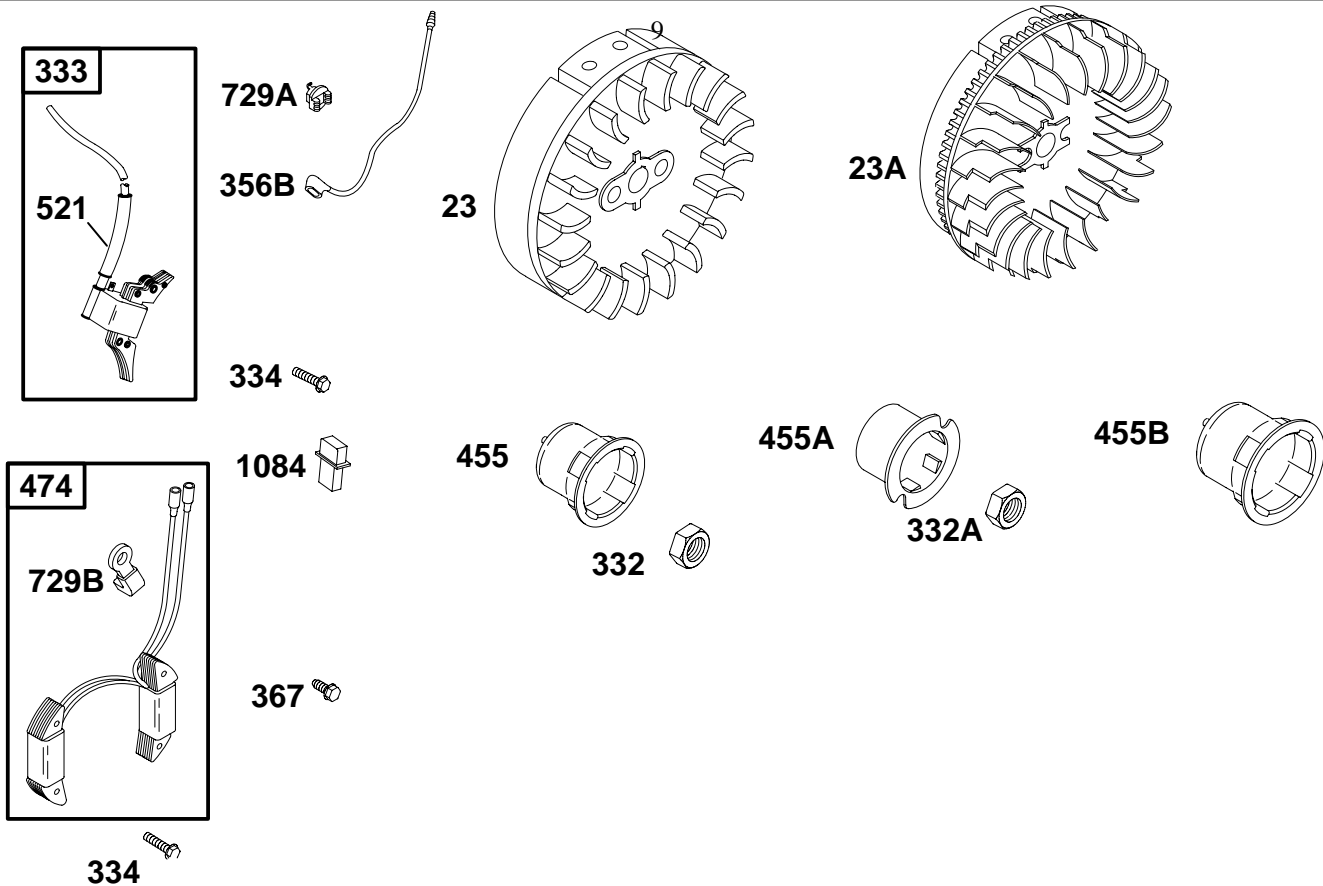
185400



REF. NO.	PART NO.	DESCRIPTION	REF. NO.	PART NO.	DESCRIPTION	REF. NO.	PART NO.	DESCRIPTION
281D	715223	Panel—Control Used on Type No(s). 0039, 0059, 0084, 0086, 0259, 0284, 0554, 0562, 0620.	493B	710363	Bracket—Mounting	729	710407	Clip—Wire
318	710023	Screw (Mounting Bracket)	493C	710593	Bracket—Mounting Used on Type No(s). 0136, 0806.	892	715199	Switch—Key
318A	710781	Screw (Mounting Bracket)	501	691185	Regulator Used on Type No(s). 0039, 0059, 0084, 0086, 0113, 0130, 0145, 0259, 0284, 0513, 0545, 0554, 0562, 0620.	<p align="center">———— Note ————</p> 710716 Switch—Key Used on Type No(s). 0059, 0084.		
318B	710074	Screw (Mounting Bracket)	526	710057	Screw (Regulator)	948	710417	Harness—Wiring
318C	710234	Screw (Mounting Bracket)	557	710781	Screw (Oil Gard® Module)	983	692362	Light—Indicator Used on Type No(s). 0099, 0399.
356A	710087	Wire—Stop	578A	715202	Wire Assembly	990	715203	Key Set
475	715200	Rectifier	685	710089	Screw (Rectifier)	1053	710305	Module—Oil Gard®
493	710085	Bracket—Mounting Used on Type No(s). 0099, 0399.				1053A	710408	Module—Oil Gard® Used on Type No(s). 0099, 0399.
493A	710717	Bracket—Mounting				1054	710349	Tie—Cable
						1129	710415	Washer (Oil Gard® Module)

★ Included in Engine Gasket Set—Ref. No. 358.
 △ Included in Valve Gasket Set—Ref. No. 1095.

◆ Included in Carburetor Gasket Set—Ref. No. 977.
 ● Included in Carburetor Overhaul Kit—Ref. No. 121.



REF. NO.	PART NO.	DESCRIPTION	REF. NO.	PART NO.	DESCRIPTION	REF. NO.	PART NO.	DESCRIPTION
23	710224	Flywheel Note 710225 Flywheel Used on Type No(s). 0072, 0127, 0131, 0142, 0242, 0272, 0542, 0563, 0566.			Note 715207 Flywheel Used on Type No(s). 0059. 715749 Flywheel Used on Type No(s). 0039, 0084, 0130, 0259, 0284, 0513, 0554, 0562.	333	715118	Armature–Magneto Note 715192 Armature– Magneto Used on Type No(s). 0039, 0044, 0074, 0075, 0076, 0077, 0081, 0084, 0130, 0145, 0254, 0255, 0259, 0274, 0275, 0276, 0280, 0284, 0295, 0298, 0513, 0539, 0543, 0545, 0554, 0562, 0620, 0623, 0626, 0628, 0806, 0807, 0808.
23A	715748	Flywheel Used on Type No(s). 0044, 0074, 0075, 0076, 0077, 0081, 0254, 0255, 0274, 0275, 0276, 0280, 0295, 0298, 0512, 0539, 0543, 0623, 0626, 0628, 0806, 0807, 0808.	332	710048	Nut (Flywheel)	334	710047	Screw (Magneto Armature)
			332A	710345	Nut (Flywheel)	356B	710324	Wire–Stop Note 710097 Wire–Stop Used on Type No(s). 0099, 0399.

★ Included in Engine Gasket Set–Ref. No. 358.
 △ Included in Valve Gasket Set–Ref. No. 1095.

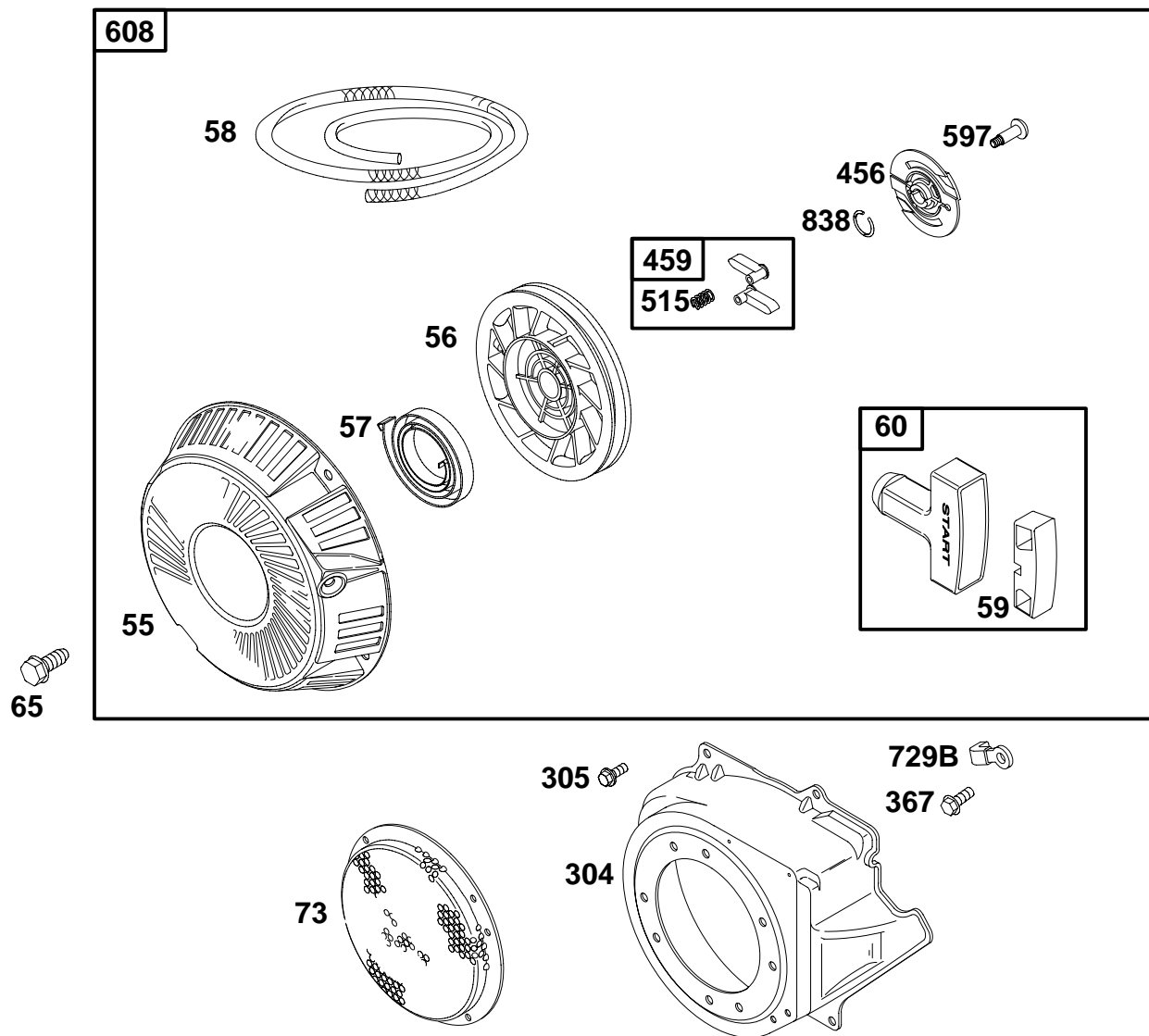
◆ Included in Carburetor Gasket Set–Ref. No. 977.
 ● Included in Carburetor Overhaul Kit–Ref. No. 121.

185400

REF. NO.	PART NO.	DESCRIPTION	REF. NO.	PART NO.	DESCRIPTION	REF. NO.	PART NO.	DESCRIPTION
367	710023	Screw (Wire Clip)	455B	710277	Cup-Flywheel Used on Type No(s). 0099, 0399.	521	710045	Shield-Cable
455	710366	Cup-Flywheel (Used After Code Date 93123100).	474	715255	Alternator ———— Note ————	729A	710046	Clip-Wire
455A	710257	Cup-Flywheel (Used Before Code Date 94010100). ———— Note ———— 710230 Cup-Flywheel Used on Type No(s). 0072.			715194 Alternator Used on Type No(s). 0039, 0084, 0086, 0113, 0130, 0145, 0259, 0284, 0513, 0545, 0554, 0562, 0620.	729B	710083	Clip-Wire
						1084	710386	Connector-Terminal

★ Included in Engine Gasket Set-Ref. No. 358.
 △ Included in Valve Gasket Set-Ref. No. 1095.

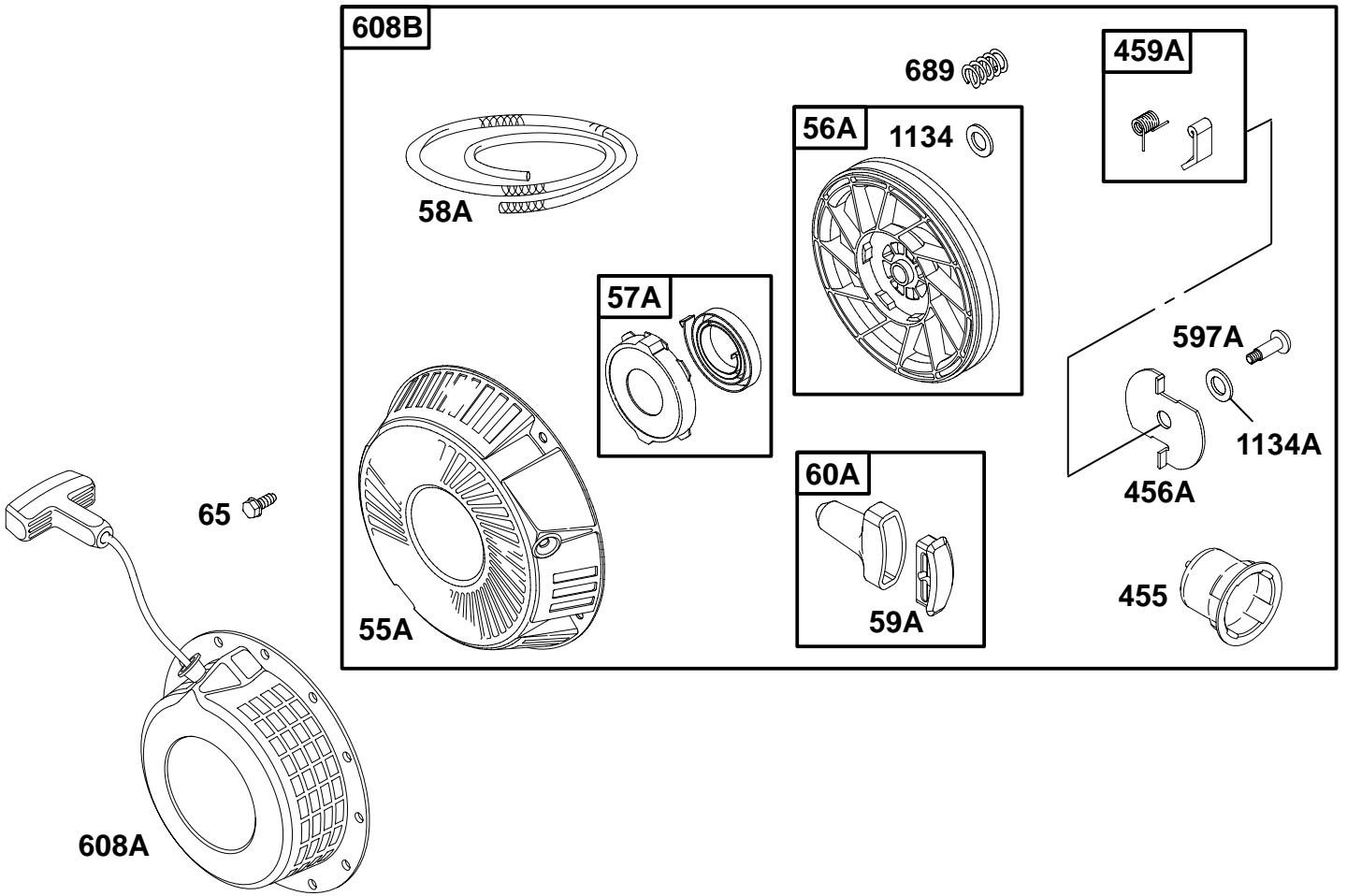
◆ Included in Carburetor Gasket Set-Ref. No. 977.
 ● Included in Carburetor Overhaul Kit-Ref. No. 121.



REF. NO.	PART NO.	DESCRIPTION	REF. NO.	PART NO.	DESCRIPTION	REF. NO.	PART NO.	DESCRIPTION
55	691568	Housing-Rewind Starter	73	690475	Screen-Rotating Used on Type No(s). 0099, 0130, 0399.	367	710023	Screw (Wire Clip)
56	692085	Pulley-Starter	304	710364	Housing-Blower	456	691529	Plate-Pawl Friction
57	692086	Spring-Rewind Starter			Note	459	808166	Pawl-Ratchet
58	66574	Rope-Starter (Cut to Required Length)			710231 Housing-Blower	515	691528	Spring-Pawl
59	805957	Insert-Grip			Used on Type No(s). 0072, 0076, 0127, 0131, 0142, 0156, 0272, 0549, 0563.	597	690876	Screw (Pawl Friction Plate)
60	808167	Grip-Starter Rope	305	710023	Screw (Blower Housing)	608	692102	Starter-Rewind (Used After Code Date 93123100).
65	710074	Screw (Rewind Starter)				729B	710083	Clip-Wire
						838	690875	Adapter-Blower Housing Ring

★ Included in Engine Gasket Set-Ref. No. 358.
 △ Included in Valve Gasket Set-Ref. No. 1095.

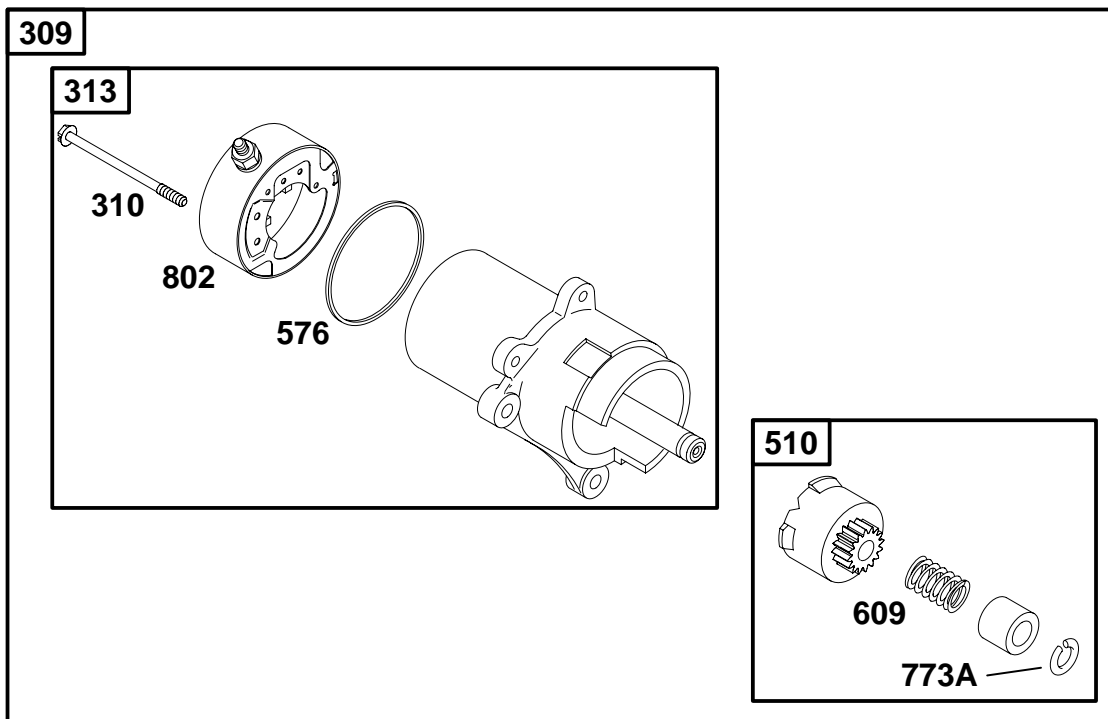
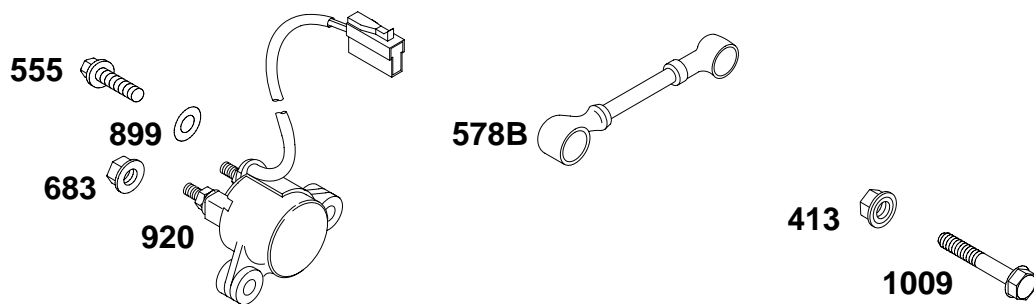
◆ Included in Carburetor Gasket Set-Ref. No. 977.
 ● Included in Carburetor Overhaul Kit-Ref. No. 121.



REF. NO.	PART NO.	DESCRIPTION	REF. NO.	PART NO.	DESCRIPTION	REF. NO.	PART NO.	DESCRIPTION
55A	492193	Housing-Rewind Starter	455	710366	Cup-Flywheel			(Used Before Code Date 94010100).
56A	494956	Pulley-Starter	456A	224228	Plate-Pawl Friction	689	262564	Spring-Spring
57A	492194	Spring-Rewind Starter	459A	492431	Pawl-Ratchet	1134	94464	Washer
58A	66894	Rope-Starter (Cut To Required Length)	597A	94463	Screw (Pawl Friction Plate)			(Pawl Friction Plate)
59A	490653	Insert-Grip	608A	715131	Starter-Rewind Used on Type No(s). 0072, 0127, 0131, 0142, 0156, 0272, 0549, 0563.	1134A	94462	Washer
60A	490652	Grip-Starter Rope	608B	715204	Starter-Rewind			(Pawl Friction Plate)
65	710074	Screw (Rewind Starter)						

★ Included in Engine Gasket Set-Ref. No. 358.
 △ Included in Valve Gasket Set-Ref. No. 1095.

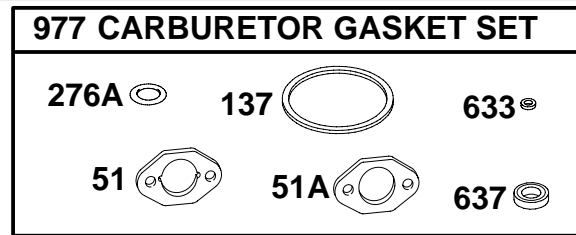
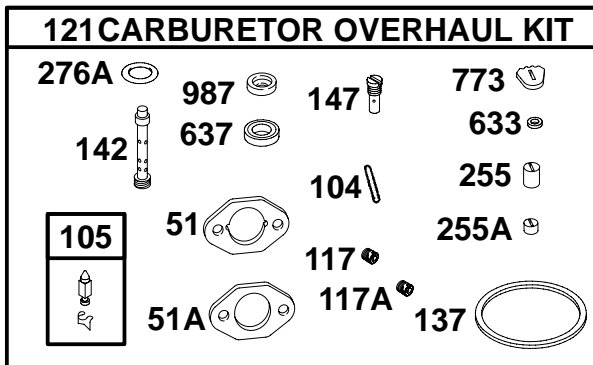
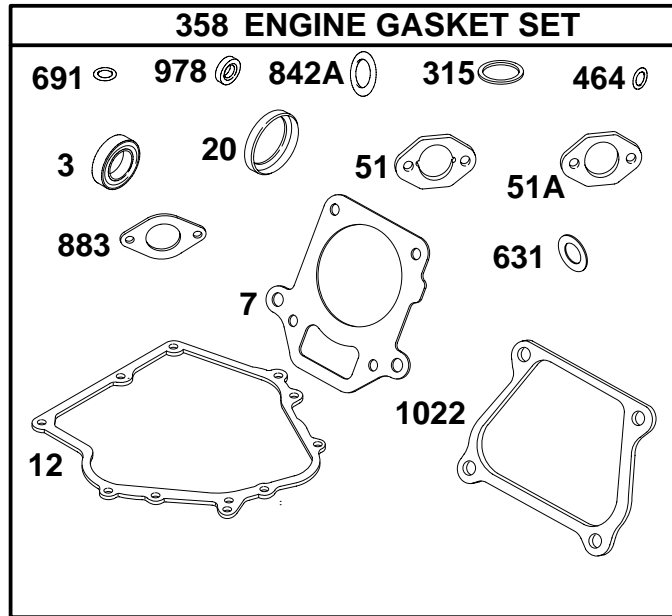
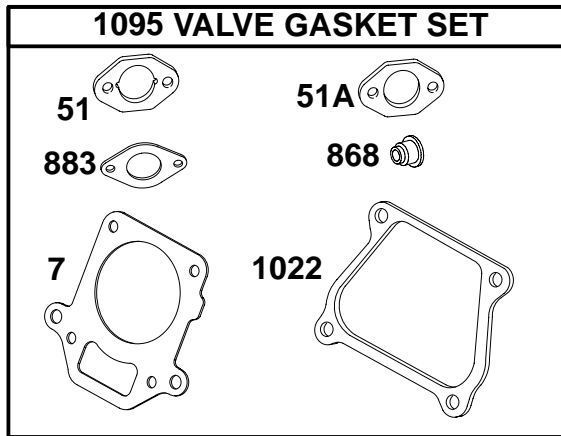
◆ Included in Carburetor Gasket Set-Ref. No. 977.
 ● Included in Carburetor Overhaul Kit-Ref. No. 121.



REF. NO.	PART NO.	DESCRIPTION	REF. NO.	PART NO.	DESCRIPTION	REF. NO.	PART NO.	DESCRIPTION
309	715413	Motor-Starter	576	710610	Seal-O Ring (Starter Sub Assembly)	802	715195	Cap-End (Includes Brush Set)
310	710354	Bolt (Starter Motor)	578B	715198	Wire Assembly	899	710361	Washer (Starter Solenoid)
313	715408	Starter Sub Assembly	609	710357	Spring-Starter Drive	920	715197	Solenoid-Starter
413	710081	Nut (Starter Motor)	683	710362	Nut (Starter Solenoid)	1009	710348	Screw (Starter Motor)
510	715196	Drive-Starter	773A	710359	Retainer			
555	710360	Screw (Starter Solenoid)						

★ Included in Engine Gasket Set-Ref. No. 358.
 Δ Included in Valve Gasket Set-Ref. No. 1095.

◆ Included in Carburetor Gasket Set-Ref. No. 977.
 ● Included in Carburetor Overhaul Kit-Ref. No. 121.



REF. NO.	PART NO.	DESCRIPTION	REF. NO.	PART NO.	DESCRIPTION	REF. NO.	PART NO.	DESCRIPTION
3	★710000	Seal—Oil (Magneto Side)	117	●710877	Jet—Main	117A	●711679	Jet—Main Used on Type No(s). 0399.
7	△★710205	Gasket—Cylinder Head			Note			Note
12	★710216	Gasket—Crankcase			●711607 Jet—Main Used on Type No(s). 0046, 0051, 0052, 0053, 0054, 0122, 0127, 0141, 0142, 0246, 0251, 0254, 0255, 0295, 0542, 0552, 0553, 0560, 0562, 0563, 0565, 0609, 0615, 0616, 0617, 0623, 0624.		●710316 Jet—Main Used on Type No(s). 0099.	
		Note						Note
		★710141 Gasket— Crankcase Used on Type No(s). 0280, 0543.				121	715156	Kit—Carburetor Overhaul
20	★710215	Seal—Oil (PTO Side)				137	◆	Gasket—Float Bowl (Sold in Kit Only)
51	◆△★710235	Gasket—Intake				142	●710317	Nozzle—Carburetor
51A	◆△★710237	Gasket—Intake						Note
104	●710310	Pin—Float Hinge						●711605 Nozzle— Carburetor Used on Type No(s). 0046, 0051, 0052, 0053, 0054, 0122, 0127, 0141, 0142, 0246, 0251, 0254, 0255, 0295, 0542, 0552, 0553, 0560, 0562, 0563, 0565, 0609, 0615, 0616, 0617, 0623, 0624.
105	●715155	Valve—Float Needle						

★ Included in Engine Gasket Set—Ref. No. 358.
△ Included in Valve Gasket Set—Ref. No. 1095.

◆ Included in Carburetor Gasket Set—Ref. No. 977.
● Included in Carburetor Overhaul Kit—Ref. No. 121.

REF. NO.	PART NO.	DESCRIPTION	REF. NO.	PART NO.	DESCRIPTION	REF. NO.	PART NO.	DESCRIPTION
147	●710321	Jet-Pilot	633	●◆	Seal-Choke/Throttle Shaft (Sold in Kit Only)	883	Δ★710250	Gasket-Exhaust
255	●710177	Bushing-Choke Shaft (Upper)	637	●◆	Washer (Throttle Shaft) (Sold in Kit Only)	977	715160	Gasket Set-Carburetor
255A	●710312	Bushing-Choke Shaft (Lower)	691	★710055	Seal-Governor Shaft	978	★710091	Gasket-Oil Gard®
276A	●◆	Washer-Sealing (Sold in Kit Only)	773	●710175	Retainer	987	●710185	Seal-Throttle Shaft
315	★710072	Seal-O Ring (Filter Bowl)	842A	★710218	Seal-O Ring	1022	Δ★710206	Gasket-Rocker Cover
358	715124	Gasket Set-Engine	868	Δ711634	Seal-Valve (Used After Code Date 01123100).	1095	716025	Gasket Set-Valve (Used After Code Date 01123100).
464	★710069	Seal-O Ring (Fuel Shut Off Valve)	Note _____ Δ710863 Seal-Valve (Used Before Code Date 02010100).			Note _____ 715695 Gasket Set-Valve (Used Before Code Date 02010100).		
631	★710004	Washer (Oil Drain Plug)						

★ Included in Engine Gasket Set-Ref. No. 358.
 Δ Included in Valve Gasket Set-Ref. No. 1095.

◆ Included in Carburetor Gasket Set-Ref. No. 977.
 ● Included in Carburetor Overhaul Kit-Ref. No. 121.