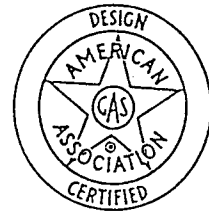
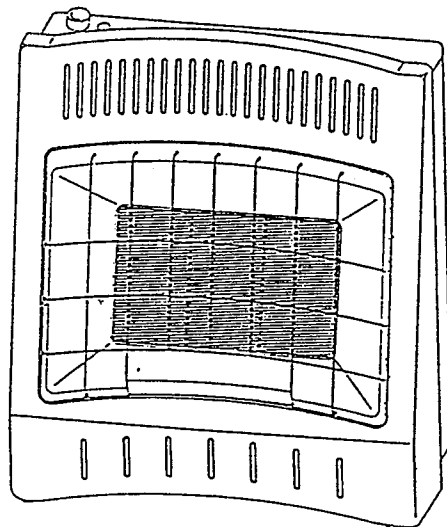


Comfort Glow®

VENT-FREE PROPANE GAS HEATER OWNER'S OPERATION AND INSTALLATION MANUAL



Models: CGR18PT and CGR30PT

WARNING: If the information in this manual is not followed exactly, a fire or explosion may result causing property damage, personal injury, or loss of life.

- Do not store or use gasoline or other flammable vapors and liquids in the vicinity of this or any other appliance.
- WHAT TO DO IF YOU SMELL GAS
 - Do not try to light any appliance.
 - Do not touch any electrical switch; do not use any phone in your building.
 - Immediately call your gas supplier from a neighbor's phone. Follow the gas supplier's instructions.
 - If you cannot reach your gas supplier, call the fire department.
- Installation and service must be performed by a qualified installer, service agency, or the gas supplier.

This is an unvented gas-fired heater. It uses air (oxygen) from room in which it is installed. Provisions for adequate combustion and ventilation air must be provided.

This appliance may be installed in an aftermarket* manufactured (mobile) home, where not prohibited by state or local codes.

* Aftermarket: Completion of sale, not for purpose of resale, from the manufacturer.

This appliance is only for use with the type of gas indicated on the rating plate. This appliance is not convertible for use with other gases.

Save this manual for future reference.

TECHNICAL SERVICE

You may have further questions about installation, operation, or troubleshooting. If so, contact DESA International's Technical Service Department at 1-800-323-5190.

SPECIFICATIONS

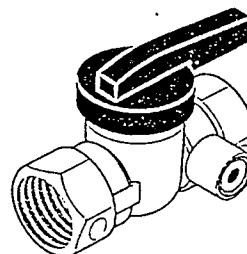
	CGR18PT	CGR30PT
BTU	16,500	27,000
Type Gas	Propane/LP Only	Propane/LP Only
Ignition	Piezo	Piezo
Pressure Regulator Setting	10" W.C.	10" W.C.
Inlet Gas Pressure (in. of water)		
Maximum	14"	14"
Minimum	11"	11"
Dimensions, Inches (H x W x D)		
Heater	24.5 x 20 x 9	24.5 x 27.5 x 9
Carton	25.6 x 21.6 x 10.6	25.6 x 29.5 x 10.6
Weight (pounds)		
Heater	22	30
Shipping	26	34

ACCESSORY

Purchase this heater accessory from your local dealer. If they cannot supply this accessory, either contact your nearest Parts Central or call DESA International's Parts Department at 1-800-972-7879 for referral information. You can also write to the address listed on the back page of this manual.

MANUAL SHUTOFF VALVE - GA5010

Manual shutoff valve with 1/8" NPT tap.



COMFORT GLOW INFRA-RED PLAQUE HEATER PART CENTRALS

BALTIMORE ELECTRIC
1348 Dixwell Avenue
Hamden CT 06514
1-800-397-7553
(203) 248-7553
Parts Department

EAST COST ENERGY PRODUCTS
707 Broadway
W Long Branch NJ 07764
(908) 870-8809
1-800-755-8809
Parts Department

DAYTON HARDWARE
P O Box 275
North Dayton Station
Dayton OH 45404
All States
(513) 258-3721
OH 1-800-762-3426
Parts Department

PORTABLE HEATERS PARTS
342 No County Rd 400 East
Valparaiso IN 46383
All States
(219) 462-7441
1-800-362-6951
Parts Department

MASTER PARTS DISTRIBUTOR
1184 Wilson Ave NW
Grand Rapids MI 49504
US 1-800-446-1446
(616) 791-0505
Fax: 1-616-791-8270
Parts Department

HALCO ENTERPRISES
208 Carter Drive Unit 21
West Chester PA 19382
US 1-800-368-0803
(610) 430-7717
Parts Department

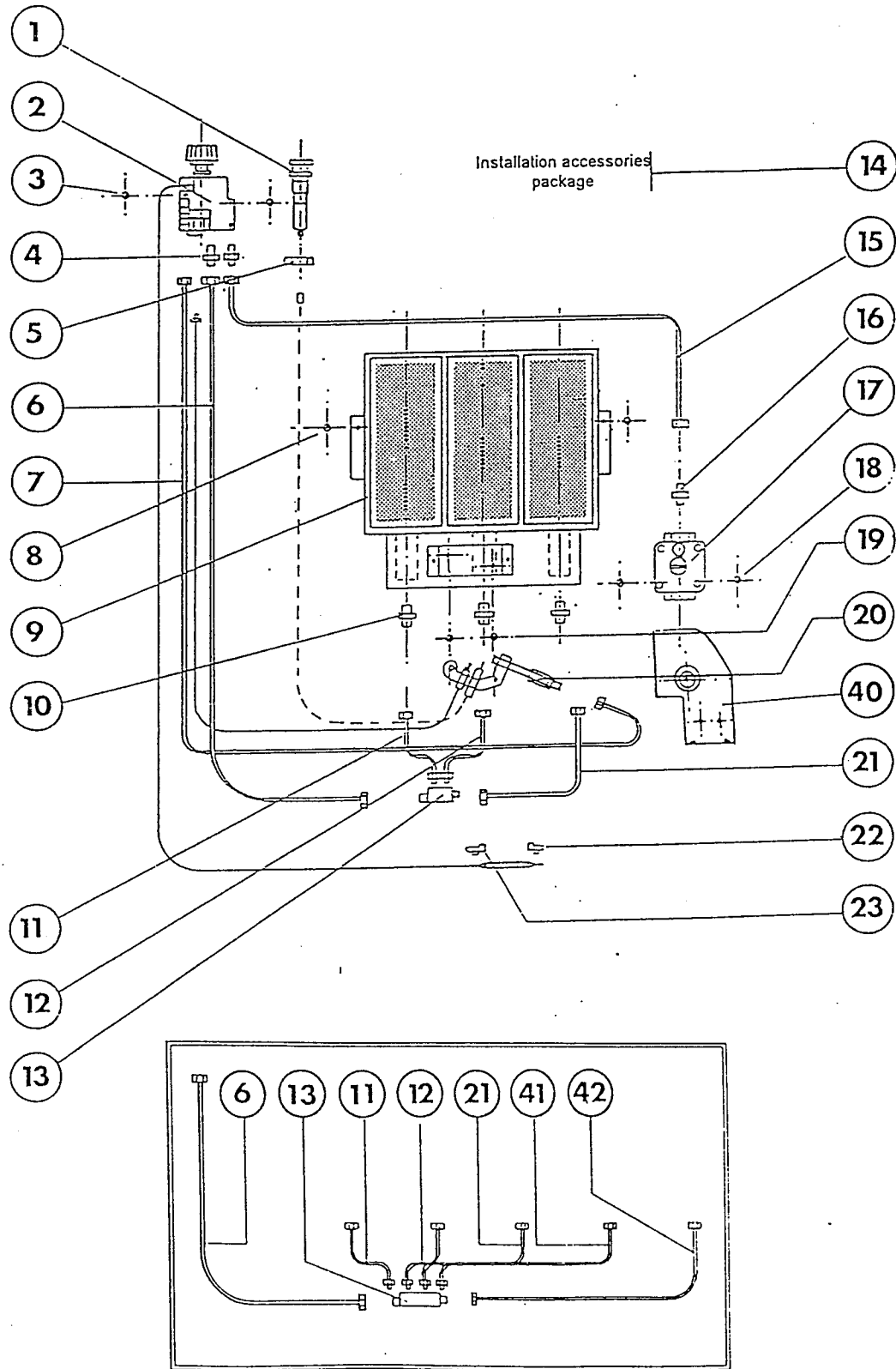
FOUR FLAGS POWER PRODUCTS
1115 Stateline Road
Niles MI 49120
(816) 684-2697
Parts Only

WASHER EQUIP CO
1715 Main Street
Kansas City MO 64108
KS, MO, AR
(816) 842-3911
Parts Department

LAPORTES PARTS & SERVICES
2444 N 5th Street
Hartsville SC 29550
(803) 332-0191
Parts Department

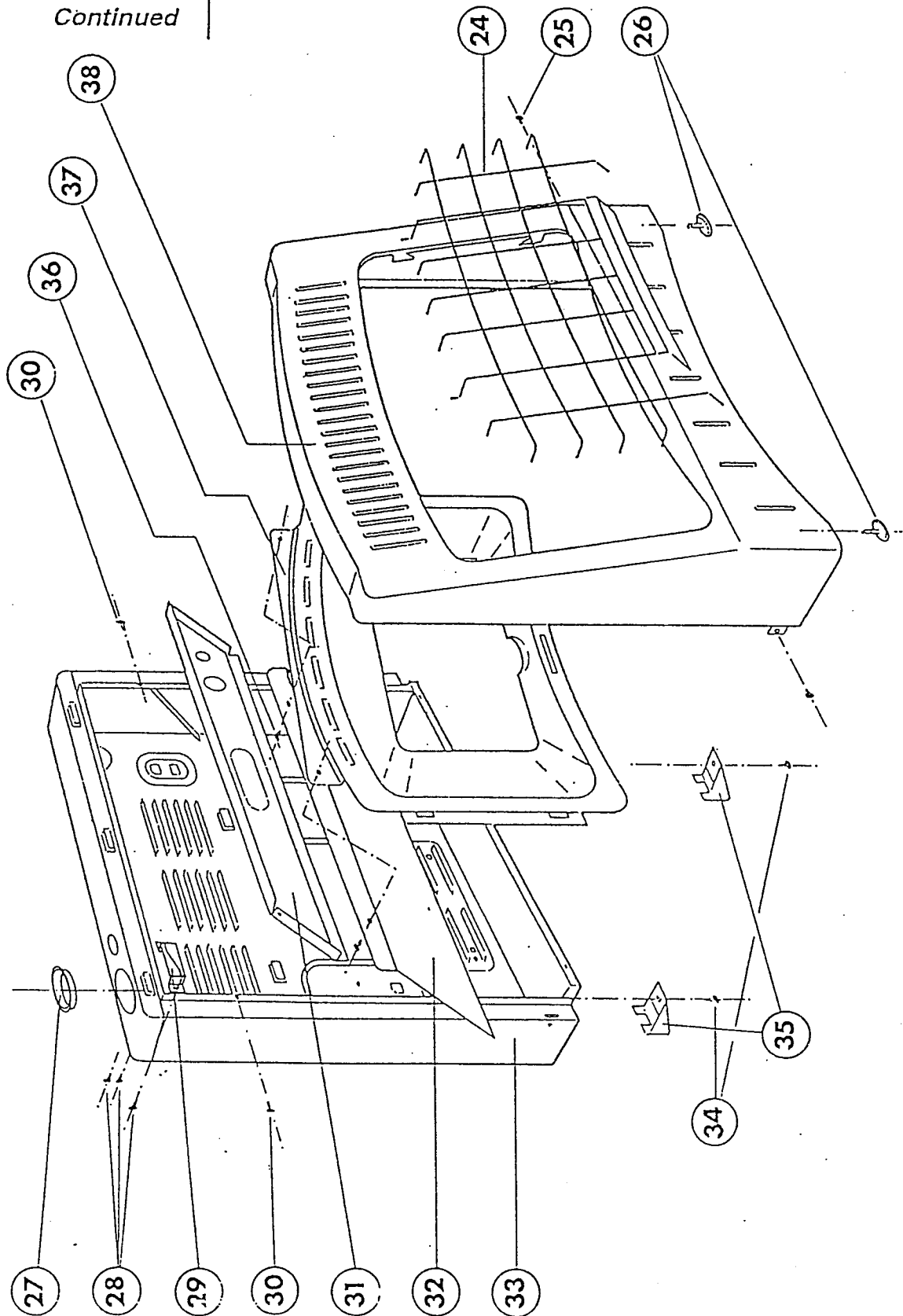
**REPAIR
PARTS LIST
MODELS CGR18PT
AND CGR30PT**

DESA
INTERNATIONAL
2701 Industrial Drive
P.O. Box 90004
Bowling Green, KY 42102-9004



**REPAIR
PARTS LIST**
MODELS CGR18PT
AND CGR30PT

Continued



REPAIR PARTS LIST

MODELS CGR18PT AND CGR30PT

Continued

Note: Use only original replacement parts. This will protect your warranty coverage for parts replaced under warranty.

Parts Under Warranty

Contact authorized dealer from whom you purchased this product. If they are unable to supply original replacement part(s), call DESA International's Technical Service Department at 1-800-323-5190 for information.

When contacting your dealer or DESA International, have ready:

- your name
- your address
- model number of your heater
- how heater was malfunctioning
- type of gas used (propane or natural gas)
- purchase date

Usually, we will ask you to return the defective part to the factory.

Parts Not Under Warranty

Contact authorized dealers of this product. If they can't supply original replacement part(s), call DESA International's Parts Department at 1-800-972-7879 for information. When calling DESA International, have ready:

- model number of your heater
- the replacement part number

REPAIR PARTS

INDEX N ^o	<i>Propane</i> MODELS		DESCRIPTION
	CGR18PT	CGR30PT	
1	BY 50.000.048	BY 50.000.048	Piezo Igniter
2	BY 83.610.099	BY 83.610.099	Control valve
3	BY 13.310.512	BY 13.310.512	Screw,
4	BY 83.500.385	BY 83.500.385	Fitting
5	BY 13.650.056	BY 13.650.056	Nut M-18
6	BY 83.000.716	BY 83.000.716	Tubing valve - T connector
7	BY 83.000.562	BY 83.000.563	Tubing valve - pilot
8	BY 13.311.592	BY 13.311.592	Screw
9	BY 80.100.057	BY 80.100.058	Burner
10	BY 83.300.338	BY 83.300.338	Orifice
11	BY 83.000.712	BY 83.000.712	Tubing T connector - # 1 setting
12	BY 83.000.713	BY 83.000.713	Tubing T connector - # 2 setting
13	BY 83.500.383	BY 83.500.386	T connector
14	BY 75.300.043	BY 75.300.043	Installation accessories
15	BY 83.000.555	BY 83.000.556	Tubing valve - regulator
16	BY 83.500.385	BY 83.500.385	Regulator inlet - adaptor
17	BY 36.210.046	BY 36.210.046	Regulator
18	BY 13.490.075	BY 13.490.075	Screw M 3,5
19	BY 13.311.592	BY 13.311.592	Screw
20	BY 80.300.034	BY 80.300.034	ODS assembly
21	BY 83.000.554	BY 83.000.557	Tubing T connector - # 3 setting
22	BY 71.100.298	BY 71.100.298	Front bracket
23	BY 71.200.297	BY 71.100.297	Rear bracket
24	BY 74.110.277	BY 74.110.276	Safety guard
25	BY 13.310.990	BY 13.310.990	Screw
26	BY 71.200.163	BY 71.200.163	Frontal leg
27	BY 78.100.421	BY 78.100.421	Trim slide
28	BY 13.311.592	BY 13.311.592	Screw
29	BY 61.001.151	BY 61.001.151	Valve bracket
30	BY 13.310.306	BY 13.310.306	Screw
31	BY 62.200.604	BY 62.200.605	Top heat shield
32	BY 62.200.708	BY 62.200.707	Bottom heat shield
33	BY 62.400.048	BY 62.400.049	Casing
34	BY 13.311.272	BY 13.311.272	Screw
35	BY 71.200.160	BY 71.200.160	Rear leg
36	BY 13.310.306	BY 13.310.306	Screw
37	BY 62.100.526	BY 62.100.525	Frontal reflector
38	BY 64.160.017	BY 64.160.018	Frontal frame
39	BY 22.040.030	BY 22.040.030	Operating and Installation Manual
40	BY 61.000.954	BY 61.000.954	Regulator mounting bracket
41	_____	BY 83.000.714	Tubing T connector - # 4 setting
42	_____	BY 83.000.715	Tubing T connector - # 5 setting

BY 22130680 ←

WARRANTY INFORMATION

KEEP THIS WARRANTY

Model _____
Serial No. _____
Date Purchased _____

Always specify model and serial numbers when communicating with the factory.

We reserve the right to amend these specifications at any time without notice. The only warranty applicable is our standard written warranty. We make no other warranty, expressed or implied.

LIMITED WARRANTY COMFORT GLOW VENT-FREE PROPANE GAS HEATERS

DESA International warrants this product and any parts thereof, to be free from defects in material and workmanship for one year from the date of first purchase, provided that the product has been properly installed, operated, and maintained in accordance with all applicable instructions. To make a claim under this warranty, the bill of sales or proof of purchase must be presented.

This warranty is extended only to the original retail purchaser. This warranty covers only the cost of parts and an allowance for labor required to restore this heater to proper operating condition. Warranty parts must be obtained through authorized dealers of this product and/or DESA International who will provide original factory replacement parts. Failure to use original factory replacement parts voids this warranty. The heater must be installed by a qualified installer in accordance with all local codes and instructions furnished with the unit.

This warranty does not apply to parts that are not in original condition because of normal wear and tear, or parts that fail or become damaged as a result of misuse, accidents, lack of proper maintenance, alteration, tampering, contaminated fuels, or defects caused by improper installation. Travel, transportation, and incidental costs associated with warranty repairs are not reimbursable under this warranty and are the responsibility of the owner.

To the full extent allowed by the law of the jurisdiction that governs the sale of the product; this express warranty excludes any and all other expressed warranties and limits the duration of any and all implied warranties, including warranties of merchantability and fitness for a particular purpose to one year from the date of first purchase; and DESA International's liability is hereby limited to the purchase price of the product and DESA International shall not be liable for any other damages whatsoever including indirect, incidental, or consequential damages.

Some states do not allow a limitation of how long an implied warranty lasts or an exclusion or limitation of incidental or consequential damages, so the above limitation of implied warranties, or exclusion, or limitation of damages may not apply to you.

This warranty provides the original retail purchaser with specific legal rights. For specific information regarding those rights, please consult the applicable state laws.

For information about this warranty write:

DESA
INTERNATIONAL

2701 Industrial Drive
P.O. Box 90004
Bowling Green, KY 42102-9004