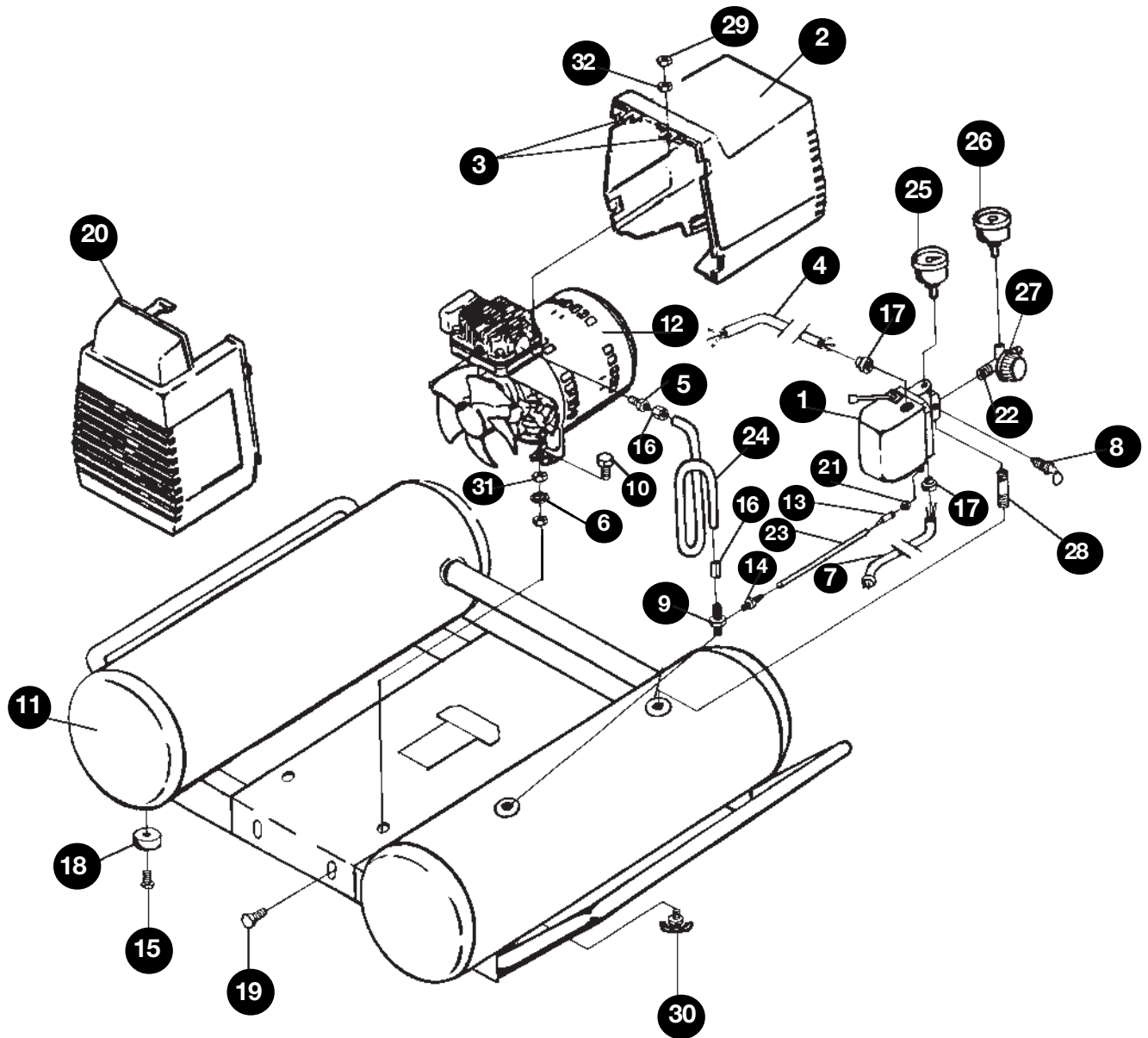


# 150E4TTD

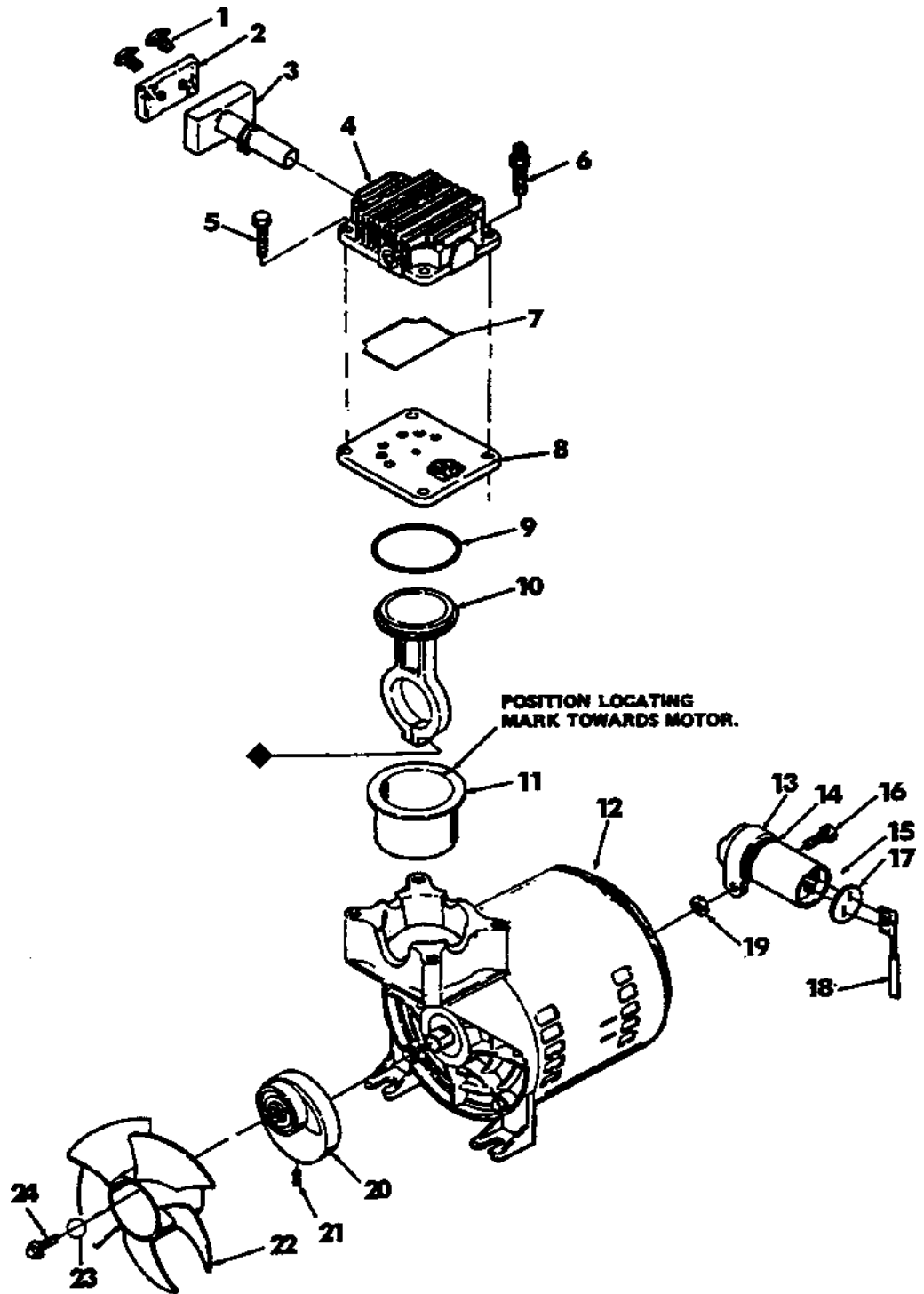


Key#	Torque Diagram
5	Torque 100-120 in. lbs.
10	Torque 90-105 in. lbs.
15	Torque Snug
16	Torque 100-120 in. lbs.
19	Torque 75-90 in. lbs.
29	Torque 50-60 in. lbs.

# 150E4TTD (cont'd)

<b>KEY NO.</b>	<b>PART NUMBER</b>	<b>DESCRIPTION</b>
1	CAC-4332-1	Pressure Switch/Manifold
2	DAC-4078	Rear Shroud Assy. (Includes 2 each Key No. 3)
3	CAC-1121	Shroud Bracket (Included with Key No. 2)
4	CAC-4205	Motor Cord
5	SSP-6050	Male Connector
6	SSW-7462	Spacer (4 used)
7	SUDL-403-1	Power Cord
8	TIA-4150	Safety Valve
9	CAC-4290-3	Check Valve
10	SSF-928	Screw (2 used)
11	-----	-----
12	-----	Motor/Pump Assy.
13	SSP-9013	Tubing Insert
14	SSP-6088	Barb Fitting
15	SSF-928	Screw (4 used)
16	SSP-7813	Nut Sleeve Assy.
17	SSW-7367	Strain Relief (2 used)
18	SST-5314-1	Rubber Bumper (4 used)
19	SSF-925	Screw (4 used)
20	DAC-233	Front Shroud
21	SSP-7811	Nut Sleeve Assy.
22	SS-1286	Nipple
23	DAC-245	Pressure Relief Tube
24	AC-0332	Outlet Tube
25	GA-370	Gauge
26	GA-369	Gauge
27	CAC-4296-1	Regulator
28	SS-2071	Nipple
29	SS-655-ZN	Nut (2 used)
30	SS-2707	Drain Valve (2 used)
31	SSN-52	Washer (2 used)
32	SSN-60-ZN	Washer (2 used)
	<b><u>NOT SHOWN</u></b>	
	KK-4315	Pressure Relief Valve

# 150E4TTD (cont'd)



# 150E4TTD (cont'd)

<b>KEY NO.</b>	<b><u>PART NUMBER</u></b>	<b><u>DESCRIPTION</u></b>
+ 1	-----	Filter Fastener
+ 2	DAC-143	Filter
+ 3	-----	Intake Muffler
4	DAC-236	Head
5	SSF-990	Screw
6	SSF-6640	Stud
• 7	ACG-45	O-Ring
8	Z-ACG-402	Valve Plate Assembly
• 9	SSG-8156	O-ring
• 10	-----	Connecting Rod Assembly
• 11	-----	Cylinder Sleeve
12	Z-M0-3025-2	Motor
13	DAC-118	Capacitor Bracket
14	-----	Electrical Tape
15	SSE-3118	Capacitor (2 Terminal)
16	SSF-1320	Screw
17	DAC-120	Capacitor Insulator
18	DAC-470	Capacitor Wire Assembly
19	SSN-1024-ZN	Lock Washer
20	Z-CAC-4306-2	Eccentric/Bearing Assembly
21	SSF-3153	Set Screw
22	CAC-1055-1	Fan
23	SS-6505-CD	Washer
24	SSF-3155	Screw

## **NOT ILLUSTRATED**

SSW-5394	Terminal Box Cover (Motor)
SUDL-9-1	Ground Screw (Motor)
MG2-OFTANK-4A	Owners Manual
MP2-150E4TTD	Parts Manual

+ Keys 1 and 3 can only be purchased as part of KK-4977 Intake Muffler Kit (includes one Key #2)

• Keys 10 and 11 can only be purchased as part of KK-4835 Connecting Rod Kit.