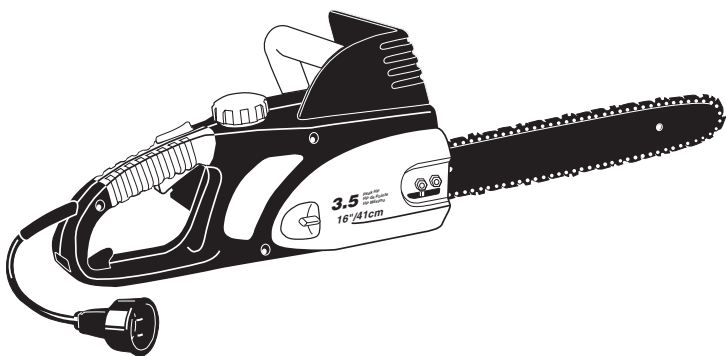
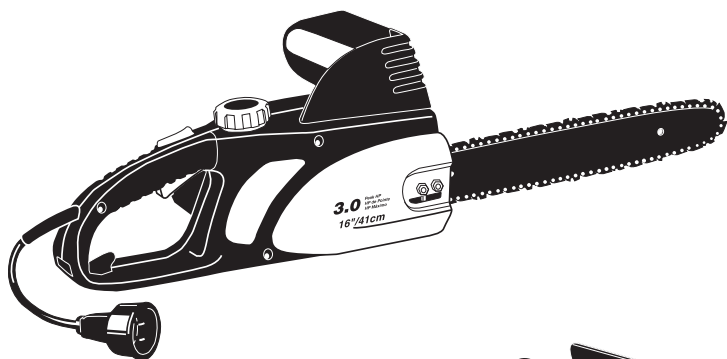


# REMINGTON®

## ELECTRIC CHAIN SAW

### OWNER'S MANUAL

ENGLISH



MODELS EL-8: 107624-01, 107624-02, 107625-01, 107625-02, 111174-01

**IMPORTANT:** Read and understand this manual before assembling or operating this chain saw. Improper use of saw can cause severe injury. Keep this manual for future reference.



# Contents

<b>IMPORTANT SAFETY INFORMATION</b> .....	<b>3</b>
Before Operating Saw .....	3
While Operating Saw .....	3
Kickback .....	4
Maintenance and Storage of Chain Saw .....	5
<b>UNPACKING</b> .....	<b>6</b>
<b>PRODUCT IDENTIFICATION</b> .....	<b>6</b>
<b>CHAIN SAW NAMES AND TERMS</b> .....	<b>6</b>
<b>ASSEMBLY</b> .....	<b>7</b>
<b>SAW CHAIN TENSION ADJUSTMENT</b> .....	<b>8</b>
<b>OPERATING CHAIN SAW</b> .....	<b>9</b>
Filling Oil Tank .....	9
Oiling Chain .....	9
Extension Cords .....	10
Cutting with the Chain Saw .....	10
Felling a Tree (Cutting Down a Tree) .....	11
Limbing a Tree .....	12
Bucking a Log .....	12
Trimming a Tree (Pruning) .....	13
<b>CLEANING AND MAINTENANCE</b> .....	<b>14</b>
Cleaning Saw Body .....	14
Care of Guide Bar .....	14
Sharpening Saw Chain .....	14
Replacing Saw Chain .....	15
<b>STORAGE</b> .....	<b>16</b>
<b>TECHNICAL SERVICE</b> .....	<b>16</b>
<b>REPLACEMENT PARTS AND ACCESSORIES</b> .....	<b>16</b>
<b>REPAIR SERVICE</b> .....	<b>16</b>
Warranty Service .....	16
Non-Warranty Service .....	16
<b>TROUBLESHOOTING</b> .....	<b>17</b>
<b>WARRANTY INFORMATION</b> .....	<b>18</b>
<b>PARTS CENTRAL/CENTRAL DE PIEZAS/DÉPÔT DE PIÈCES</b> .....	<b>59</b>
<b>ILLUSTRATED PARTS BREAKDOWN/DESGLOSE ILUSTRADO DE PARTES/SCHÉMA DES PIÈCES</b> .....	<b>60</b>
Models/Modelos/Modèles 107624-01 & 107624-02 .....	60
<b>ILLUSTRATED PARTS BREAKDOWN/DESGLOSE ILUSTRADO DE PARTES/SCHÉMA DES PIÈCES</b> .....	<b>62</b>
Models/Modelos/Modèles 107625-01, 107625-02, & 111174-01 .....	62

# IMPORTANT SAFETY INFORMATION

**⚠ WARNING:** When using an electric chain saw, basic safety precautions should always be followed to reduce the risk of fire, electric shock, and injury to persons, including the following:

## READ ALL INSTRUCTIONS.

**Make sure you read and understand all instructions in *Important Safety Information* on pages 3 through 5. Improper use of this chain saw can cause severe injury or death from fire, electrical shock, body contact with moving chain, or falling wood.**

## BEFORE OPERATING SAW

1. Read and understand this owner's manual before operating chain saw.
2. Watch what you are doing. Use common sense. Do not operate saw when you are tired.
3. Use chain saw for cutting wood only. Do not use chain saw for purpose not intended. Do not use for cutting plastic, masonry, etc.
4. Only well-instructed adults should operate chain saw. Never allow children to operate chain saw.
5. Use only electrical voltage noted on model plate of chain saw.
6. Use only extension cords marked for outdoor use. See page 10 for extension cord requirements.
7. Do not operate chain saw
  - while under the influence of alcohol, medication, or drugs
  - in rain or in damp or wet areas
  - where highly flammable liquids or gases are present
  - if saw is damaged, adjusted wrong, or not fully and securely assembled
  - if trigger does not turn saw on and off. Chain must stop moving when you release trigger. Have faulty switch replaced by authorized service center (see *Technical Service*, page 16).
  - while in a hurry
  - while in tree or on a ladder unless trained to do so
8. Wear snug-fitting clothes when operating chain saw. Do not wear loose clothing or jewelry. They can get caught in moving saw chain.
9. Wear the following safety gear when operating chain saw.
  - heavy-duty gloves (wear rubber gloves when working outdoors)
  - steel-toed safety footwear with non-skid soles
  - eye protection such as safety glasses, goggles, or face screen

- safety hard hat
  - ear muffers or ear plugs
  - hair covering to contain long hair
  - face or dust mask (if working in dusty areas)
10. Before cutting, always provide the following:
    - clear work area
    - secure footing
    - planned retreat path from falling tree
  11. Inspect tree before cutting down. Make sure there are no dead limbs or branches that may fall on you.
  12. To reduce the risk of electric shock, this saw has a polarized plug (one blade is wider than the other). This plug will fit in a polarized outlet only one way. If the plug does not fit fully in the outlet of your extension cord, reverse the plug. If it still does not fit, a polarized extension cord will be necessary. Do not change the plug in any way.

## WHILE OPERATING SAW

1. Stay alert. Use common sense while operating chain saw.
2. Keep work area clean. Cluttered areas invite injuries.
3. Be aware of extension cord while operating chain saw. Be careful not to trip over cord. Keep cord away from chain and operator at all times.
4. Keep children, animals, and bystanders away from chain saw and extension cord. Only chain saw user should be in work area.
5. Do not cut down a tree unless you are trained or have expert help.
6. If two or more persons perform bucking and felling operations at the same time, provide plenty of distance between operations. Provide distance of at least twice the height of tree being felled.
7. Secure wood you are cutting by using clamps or chocks.
8. Grip chain saw firmly with both hands. Never operate chain saw with one hand. Never use hand guard as handle.
9. Keep finger off trigger until ready to make cut.
10. Before starting chain saw, make sure chain is not touching anything.
11. To guard against electrical shock, avoid body contact with grounded objects such as pipes, fences, and metal posts.
12. Keep all parts of body away from chain when saw is running.
13. Do not force chain saw while cutting. Apply light pressure. It will do the job better and safer at the rate for which it was intended.
14. Cut small brush and saplings with extreme care. Slender material may catch in chain and be whipped toward you. This could also pull you off balance.

*Continued*

# IMPORTANT SAFETY INFORMATION

## Continued

- When cutting limb or tree trunk that is under tension, use extreme caution. Be alert for wood springing back. When wood tension is released, limb could spring back and strike operator causing severe injury or death.
- Carry chain saw from one place to another
  - with saw stopped and unplugged
  - by holding front handle (never use hand guard as handle)
  - with finger off trigger
  - with guide bar and chain to rear

**⚠ WARNING:** This product contains chemicals known to the State of California to cause cancer or birth defects, or other reproductive harm.

**⚠ WARNING:** Some dust created by power sanding, sawing, grinding, drilling, and other construction activities contains chemicals known (to the state of California) to cause cancer, birth defects, or other reproductive harm. Some examples of these chemicals are:

- lead from lead-based paints
- crystalline silica from bricks and cement and other masonry products
- arsenic and chromium from chemically-treated lumber

Your risk from these exposures varies, depending on how often you do this type of work. To reduce your exposure to these chemicals: work in a well ventilated area, and work with approved safety equipment, such as those dust masks that are specially designed to filter out microscopic particles.

## KICKBACK

**⚠ WARNING:** Kickback may occur when the nose or tip of the guide bar touches an object, or when the wood closes in and pinches the saw chain in the cut. Tip contact in some cases may cause a lightning fast reverse reaction, kicking the guide bar up and back towards the operator. Pinching the saw chain along the top of the guide bar may push the guide bar rapidly back towards the operator. Either of these reactions may cause you to lose control of the saw which could result in serious injury to user.

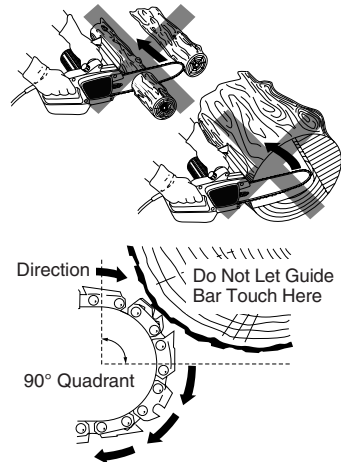
### Kickback Safety Devices On This Saw

This saw has a low-kickback chain and reduced kickback guide bar. Both items reduce the chance of kickback. Kickback can still occur with this saw.

Follow assembly instructions on pages 7 and 8. Do not remove front hand guard. Do not replace front hand guard with substitute.

The following steps will reduce the risk of kickback.

- Use both hands to grip saw while saw is running. Use firm grip. Thumbs and fingers must wrap around saw handles.
- Keep all safety items in place on saw. Make sure they work properly.
- Do not overreach or cut above shoulder height.
- Keep solid footing and balance at all times.
- Stand slightly to left side of saw. This keeps your body from being in direct line with chain.
- Do not let guide bar nose touch anything when chain is moving (see Figure 1).



**Figure 1 - Kickback Hazard Example: Do Not Let Nose of Guide Bar Touch Object While Chain is Moving**

# IMPORTANT SAFETY INFORMATION

## Continued

- Never try cutting through two logs at same time. Only cut one log at a time.
- Do not bury guide bar nose or try plunge cut (boring into wood using guide bar nose).
- Watch for shifting of wood or other forces that may pinch chain.
- Use extreme caution when reentering a previous cut.
- Use low-kickback chain and guide bar supplied with this chain saw. Only replace these parts with chains and guide bars listed in this manual.
- Never use dull or loose chain. Keep chain sharp with proper tension.

## Saw Maintenance and Kickback Safety

Follow maintenance instructions in this manual. Proper cleaning of saw and chain and guide bar maintenance can reduce chances of kickback. Inspect and maintain saw after each use. This will increase the service life of your saw. **Note:** Even with proper sharpening, risk of kickback can increase with each sharpening.

## MAINTENANCE AND STORAGE OF CHAIN SAW

1. Unplug chain saw from power source
  - when not in use
  - before moving from one place to another
  - before servicing
  - before changing accessories or attachments, such as saw chain and guard

2. Inspect chain saw before and after each use. Check saw closely if guard or other part has been damaged. Check for any damage that may affect operator safety or operation of saw. Check for alignment or binding of moving parts. Check for broken or damaged parts. Do not use chain saw if damage affects safety or operation. Have damage repaired by authorized service center.
3. Maintain chain saw with care.
  - Never expose saw to rain.
  - Keep chain sharp, clean, and lubricated for better and safer performance.
  - Follow steps outlined in this manual to sharpen chain.
  - Keep handles dry, clean, and free of oil and grease.
  - Keep all screws and nuts tight.
  - Inspect power cord often. If damaged, have repaired by authorized service center.
  - Never carry chain saw by power cord.
  - Never yank power cord to unplug it.
  - Keep power cord from heat, oil, and sharp edges.
  - Inspect extension cords often and replace if damaged.
4. When servicing, use only identical replacement parts.
5. When not in use, always store chain saw
  - in a high or locked place, out of children's reach
  - in a dry place
  - in a carrying case or with scabbard over guide bar

**Save these instructions.** It is your guide to safe and proper operation of this chain saw.

# UNPACKING

1. Remove all items from carton.

2. Check all items for any shipping damage. If you find any damage or if any parts are missing, call Technical Services at 1-800-858-8501 for prompt service.

# PRODUCT IDENTIFICATION

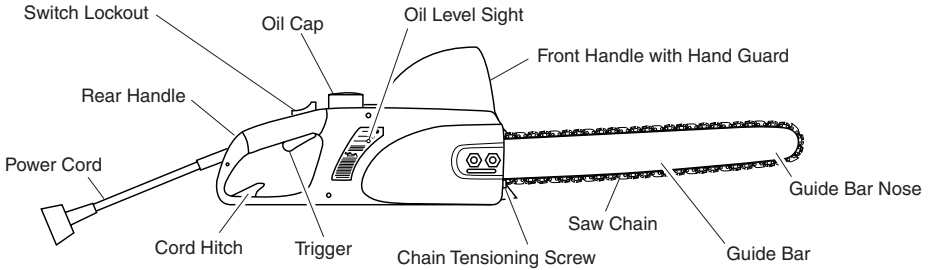


Figure 2 - Chain Saw Model 107624-01, -02

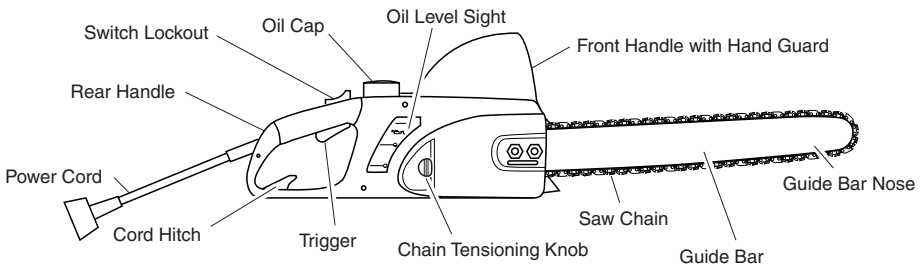


Figure 3 - Chain Saw Model 107625-01, -02, 111174-01

# CHAIN SAW NAMES AND TERMS

**Bucking** Process of cutting a felled tree or log into lengths.

**Chock** Block or wedge used to secure wood from moving.

**Felling** Process of cutting down a tree.

**Felling Cut** Final cut when felling a tree. Make this cut on opposite side of tree from notching cut.

**Front Handle** Located at front of saw body.

**Front Hand Guard** Shield between front handle and guide bar. Protects left hand while using saw.

**Guide Bar** Metal bar that extends from saw body. The guide bar supports and guides chain.

**Guide Bar Nose** Tip or end of guide bar.

**Kickback** Quick backward and upward motion of guide bar. Kickback may occur when tip of guide bar touches an object while chain is moving. The guide bar will kick up and back towards operator.

**Limbing** Process of cutting limb(s) from a felled tree.

**Low-Kickback Chain** Chain that reduces chance of kickback as required by ANSI B175.1.

**Normal Cutting Position** Stance used while making bucking and felling cuts.

**Notching Cut** Notch cut in tree that directs fall of tree.

**Oiler Control** System for oiling guide bar and chain.

**Power Head** Chain saw without chain and guide bar. Also known as saw body.

**Pushback (Kickback, Pinch)** Rapid pushback of chain saw. Pushback may occur if chain along top of guide bar is pinched, caught, or contacts a foreign object.

**Rear Handle** Handle located at rear of saw body.

**Reduced Kickback Guide Bar** Guide bar that reduces chance of kickback.

**Replacement Chain** Chain that complies with ANSI B175.1 when used with a specific saw. It may not meet ANSI requirements when used with other saws.

**Saw Chain (Chain)** Loop of chain having cutting teeth for cutting wood. The motor drives chain. The guide bar supports chain.

**Spiked Bumper (Spike)** Pointed teeth at front of saw body beside guide bar. Keep spiked bumper in contact with wood when felling or bucking. It helps maintain position of saw while cutting.

**Sprocket** Toothed wheel that drives chain.

**Switch** Device that completes or interrupts electrical circuit to motor of saw.

# CHAIN SAW NAMES AND TERMS

## Continued

**Switch Linkage** This device connects switch to trigger. It moves switch when you squeeze trigger.

**Switch Lockout** Device that reduces accidental starting of saw.

**Trigger** Device that turns saw on and off. Squeezing trigger turns saw on. Releasing trigger turns saw off.

**Trimming (Pruning)** Process of cutting limb(s) from a living tree.

**Undercut** An upward cut from underside of log or limb. This is done while in normal cutting position and cutting with top of guide bar.

## ASSEMBLY

*Note:* Some models are pre-assembled. Assembly is not needed on these models.

See *Saw Chain Tension Adjustment*, pages 8 and 9.

**WARNING:** Cutting edges on chain are sharp. Use protective gloves when handling chain.

**IMPORTANT:** Do not clamp chain saw in vise during assembly.

1. Lay chain out flat.
2. Loosen and remove guide bar nuts and sprocket cover.
3. Loosen and remove drive sprocket screw or remove E-ring from shaft (see Figure 4). Remove sprocket support.

4. Install guide bar onto saw body. Assemble center slot of guide bar onto guide bar bolts.
5. To replace sprocket support, repeat step 3 in reverse order. Firmly tighten drive sprocket screw with #2 Phillips screwdriver (if applicable).
6. Place chain around drive sprocket, along top groove of guide bar, and around guide bar nose. **Note:** Make sure cutting edges of chain are facing in right direction. Position chain so cutting edges on top of guide bar face guide bar nose (see Figure 4, and indicator on side cover of saw).

**CAUTION:** Do not place chain on saw backwards. If chain is backwards, saw will vibrate badly and will not cut.

7. Insert tab of sprocket cover into slot on side cover and rotate sprocket cover onto guide bar bolts until sprocket cover rests against guide bar.
8. Place guide bar nuts, removed in step 2, over guide bar bolts. **IMPORTANT:** Tighten guide bar nuts finger tight only.
9. Turning chain tensioning knob (Model 107625-01, -02, 111174-01) or chain tensioning screw (Model 107624-01, -02), adjust position of adjustment block until it is aligned and inserted into the round adjusting hole on guide bar (see Figure 4 and Figures 5 and 6, page 8). Turning chain tensioning knob or chain tensioning screw counterclockwise will move adjustment block to rear of guide bar. Turning chain tensioning knob or chain tensioning screw clockwise will move adjustment block to front of guide bar.
10. If needed, readjust guide bar nuts to finger tight only.
11. Adjust saw chain tension. Follow steps under *Saw Chain Tension Adjustment*, pages 8 and 9.

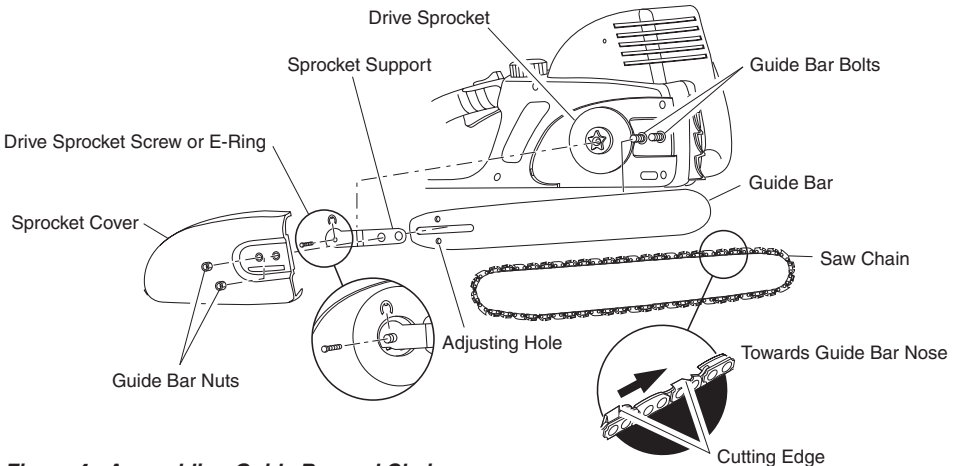


Figure 4 - Assembling Guide Bar and Chain

Continued

# ASSEMBLY

## Continued

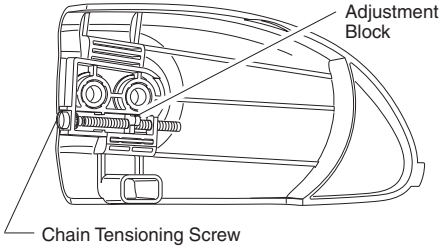


Figure 5 - Turn Chain Tensioning Screw on Model 107624-01, -02

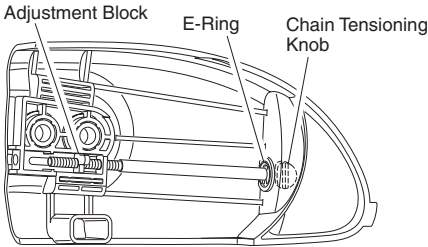


Figure 6 - Turn Chain Tensioning Knob on Model 107625-01, -02, 111174-01

## SAW CHAIN TENSION ADJUSTMENT

**⚠ WARNING:** Unplug chain saw from power source before adjusting saw chain tension.

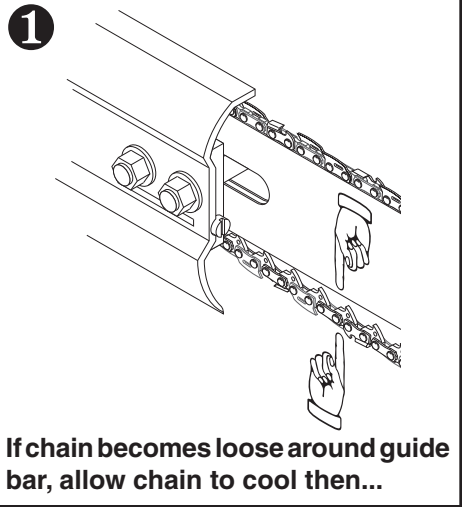
**⚠ WARNING:** Cutting edges on chain are sharp. Use protective gloves when handling chain.

**⚠ WARNING:** Maintain proper chain tension always. A loose chain will increase the risk of kickback. A loose chain may jump out of guide bar groove. This may injure operator and damage chain. A loose chain will cause chain, guide bar, and sprocket to wear rapidly.

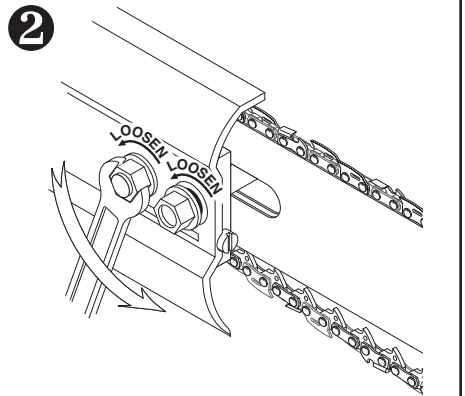
### IMPORTANT!

Failure to follow these instructions when tensioning saw chain will damage saw and void the warranty. For additional information call 1-800-858-8501.

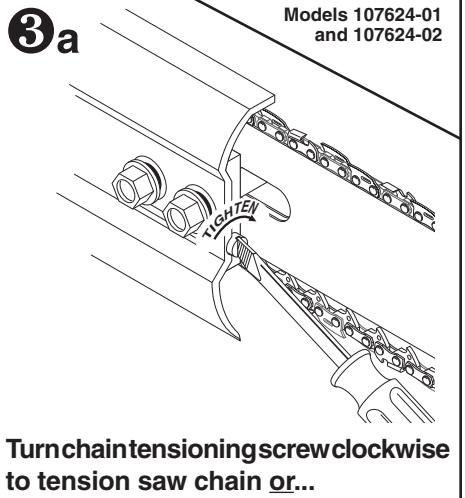
New saw chains will stretch. Check chain tension frequently when first used and tighten when chain becomes loose around guide bar.



If chain becomes loose around guide bar, allow chain to cool then...



Loosen both nuts...



Turn chain tensioning screw clockwise to tension saw chain or...

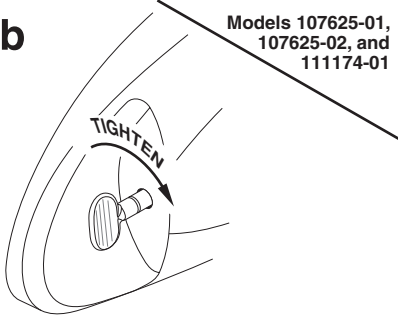


# SAW CHAIN TENSION ADJUSTMENT

Continued

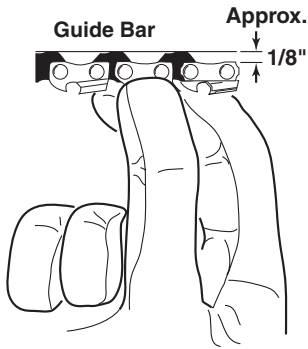
3b

Models 107625-01,  
107625-02, and  
111174-01



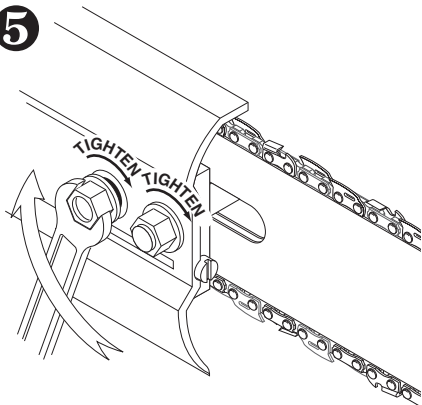
Turn chain tensioning knob clockwise to tension saw chain...

4



Pull chain to check tension. Guide links should not come out of guide bar groove...

5



Make sure chain moves freely around guide bar then tighten both nuts.

# OPERATING CHAIN SAW

**⚠ WARNING:** Read and understand this owner's manual before operating this saw. Make certain you read and understand all **Important Safety Information**, pages 3 through 5. Improper use of this chain saw can cause severe injury or death from fire, electrical shock, or body contact with moving chain, or falling wood.

## FILLING OIL TANK

1. Remove oil cap.
2. Fill oil tank with SAE #30 motor oil. *Note:* For temperatures below 30°F, use SAE #10 oil. For temperatures above 75°F, use SAE #40 oil.
3. Replace oil cap at once. Tighten oil cap firmly for good seal. This will avoid oil seepage from tank.
4. Wipe off excess oil.

*Note:* It is normal for oil to seep when saw is not in use. Empty oil tank after each use to prevent seepage.

## OILING CHAIN

### Manual Oil System

Always check oil level before using saw. Do not attempt to operate the oil system while saw is in operation. To oil chain, press squeeze bulb. Oil will feed onto the guide bar and chain. Press squeeze bulb at least once before each cut. Check oil level often by looking at oil sight window (see Figure 7).

### Automatic Oil System

Chain saw Model 107625-01, -02, 111174-01 is equipped with an automatic oiling system. It will provide adequate lubrication to the guide bar and saw chain. Check oil level every 15 minutes of cutting time. Oil level can be seen in oil sight window (see Figure 8, page 10).

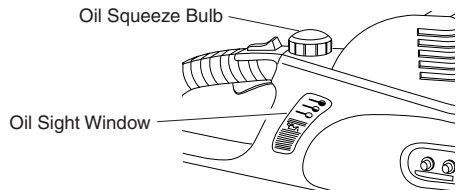
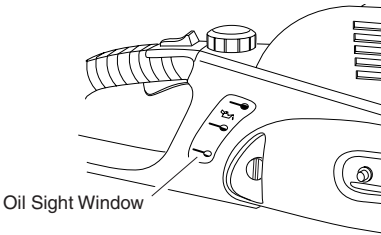


Figure 7 - Oil Squeeze Bulb and Oil Sight Window Location for Model 107624-01, -02

Continued

# OPERATING CHAIN SAW

## Continued



**Figure 8 - Oil Sight Window Location for Model 107625-01, -02, 111174-01**

## EXTENSION CORDS

Use proper extension cords with this saw. Use only extension cords marked for outdoor use. The cord must be marked with suffix W or W-A following the cord type designation. *Example:* SJTW-A or SJTW.

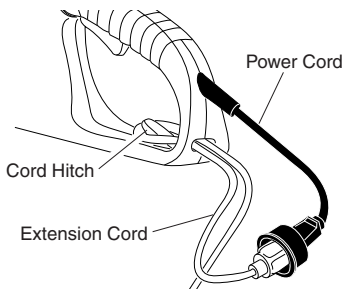
Use proper sized cord with this saw. Cord must be heavy enough to carry current needed. An undersized cord will cause voltage drop at saw. Saw will lose power and over-heat. Follow cord size requirements listed below.

Cord Length	AWG Cord Size
25 feet	16 AWG
50 feet	16 AWG
100 feet	14 AWG
150 feet	12 AWG

**Models EL-8: 107624-01, -02; 107625-01, -02, 111174-01**

Keep cord away from cutting area. Make sure cord does not catch on branches or logs during cutting. Inspect cords often. Replace damaged cords.

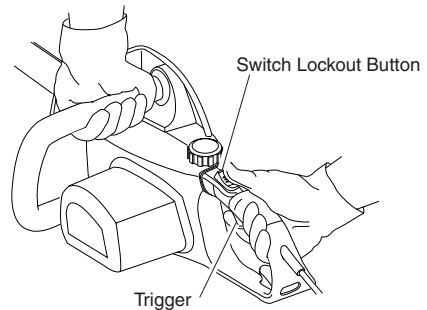
This chain saw is designed with an extension cord hitch that prevents the extension cord from being pulled loose during use. To use, form a loop with the end of the extension cord, insert loop into slot in rear of handle, and place loop over cord hitch (see Figure 9). Gently pull loop against cord hitch until slack is removed. Plug extension cord into chain saw cord.



**Figure 9 - Looping Extension Cord over Cord Hitch**

## CUTTING WITH THE CHAIN SAW

1. Connect saw to extension cord. Connect extension cord to power supply.
2. Make sure section of log to be cut is not laying on ground. This will keep chain from touching ground as it cuts through log. Touching ground with moving chain will dull chain.
3. Use both hands to grip saw. Always use left hand to grip front handle and right hand to grip rear handle. Use firm grip. Thumbs and fingers must wrap around saw handles (see Figure 10).
4. Make sure your footing is firm. Keep feet apart. Divide your weight evenly on both feet.
5. When ready to make a cut, push the lockout button completely forward with the right thumb and squeeze the trigger (see Figure 10). This will turn saw on. Releasing trigger will turn saw off. Make sure saw is running at full speed before starting a cut.
6. When starting a cut, place moving chain against wood. Hold saw firmly in place to avoid possible bouncing or skating (sideways movement) of saw.
7. Guide saw using light pressure. Do not force saw. The motor will overload and can burn out. It will do the job better and safer at the rate for which it was intended.
8. Remove saw from a cut with saw running at full speed. Stop saw by releasing trigger. Make sure chain has stopped before setting saw down.
9. Practice until you can maintain a steady, even cutting rate.



**Figure 10 - Lockout Button and Trigger Location**

# OPERATING CHAIN SAW

## Continued

### FELLING A TREE (Cutting Down a Tree)

#### **⚠ WARNING:**

- **Avoid kickback.** Kickback can result in severe injury or death. See *Kickback*, pages 4 and 5, to avoid risk of kickback.
- **Do not fell a tree without ample skill or expert help.**
- **Keep children, animals, and bystanders away from area when felling a tree.**
- **If two or more persons perform bucking and felling operations at the same time, provide ample distance between operations. Provide distance of at least twice the height of tree being felled.**

- #### **⚠ WARNING:** When felling a tree, be aware of your surroundings. Do not endanger any person, strike utility lines, or cause property damage. If tree strikes utility lines, contact utility company at once.

Felling is the process of cutting down a tree. Make sure your footing is firm. Keep feet apart. Divide your weight evenly on both feet. Follow directions below to fell a tree.

#### Before Felling a Tree

1. Before felling, inspect tree. Make sure there are no dead limbs or branches that may fall on you. Study natural lean of tree, location of larger branches, and wind direction. This will help you judge which way tree will fall.
2. Clear work area around tree.
3. Plan and clear a retreat path before felling. Make retreat path opposite to planned direction of fall of tree and at 45° angle (see Figure 11).

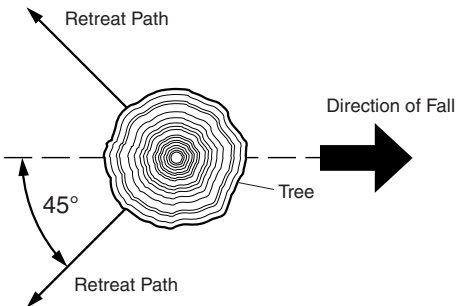


Figure 11 - Retreat Path From Tree

4. Remove dirt, stones, loose bark, nails, staples, and wire from tree where you will make felling cuts.
5. Stay on uphill side when felling tree. Tree could roll or slide downhill after falling.

### Felling Procedure

#### A) Felling Notch

A properly placed felling notch will determine direction tree will fall. Place felling notch on side of tree in direction you want tree to fall (see Figure 12). Follow directions below to create a felling notch.

1. Make lower notch cut as close to ground as possible. Hold saw so guide bar is horizontal. Cut 1/3 the diameter of tree trunk (see Figure 12). *Note:* Always make this horizontal lower notch cut first. If you make this cut second, tree can pinch chain or guide bar.
2. Start upper notch cut the same distance above first cut as first cut is deep.

*Example:* If lower notch cut is eight inches deep, start upper notch cut eight inches above it. Cut downward at 45° angle. The upper notch cut should meet end of lower notch cut (see Figure 12).

3. Remove tree trunk wedge created by notching cuts.

#### B) Felling Cut

1. Make felling cut two inches higher than lower notch cut and on opposite side of tree (see Figure 12). Keep felling cut parallel to lower notch cut.
2. Cut towards notch.

- #### **⚠ WARNING:** Do not cut all the way through tree. Leave about two inches of tree diameter uncut directly behind felling notch (see Figure 12). This uncut portion acts as a hinge. The hinge helps keep tree from twisting and falling in wrong direction.

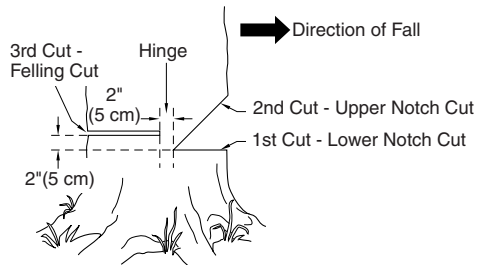


Figure 12 - Felling A Tree

Continued

# OPERATING CHAIN SAW

## Continued

- As felling cut nears hinge, tree should begin to fall. *Note:* If needed, drive wedges into felling cut to control direction of fall. If tree settles back and pinches chain, drive wedges into felling cut to remove saw. Only use wedges made of wood, plastic, or aluminum. Never use wedge made of steel. This could cause kickback and damage to chain.
- When tree begins to fall, quickly
  - remove saw from felling cut
  - release trigger to turn saw off
  - put saw down
  - exit area using retreat path

**⚠ WARNING:** Be alert for falling overhead limbs. Watch your footing while exiting area.

## LIMBING A TREE

**⚠ WARNING:** Avoid kickback. Kickback can result in severe injury or death. See *Kickback*, pages 4 and 5, to avoid risk of kickback.

**⚠ WARNING:** When cutting limb that is under tension, use extreme caution. Be alert for wood springing back. When wood tension is released, limb could spring back and strike operator causing severe injury or death.

Limbing is removing branches from a fallen tree. Make sure your footing is firm. Keep feet apart. Divide your weight evenly on both feet. Do not remove larger limbs under tree that support log off ground. Remove each limb with one cut (see Figure 13). Clear cut limbs from work area often. This will help maintain a safe work area.

Make sure you start your cut where limb will not pinch saw during cutting. To avoid pinching, start cut on freely hanging limbs from above limb. Start cut on limbs under tension from under limb. If pinch occurs, turn saw off, lift limb, and remove saw.

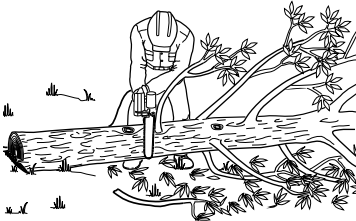


Figure 13 - Limbing A Tree

## BUCKING A LOG

**⚠ WARNING:** Avoid kickback. Kickback can result in severe injury or death. See *Kickback*, pages 4 and 5, to avoid risk of kickback.

**⚠ WARNING:**

- If on slope, make sure log will not roll down hill. Secure log by using wooden stakes. Drive wooden stakes into ground on downhill side of log. Stand on uphill side of log while cutting. Log may roll after cutting.
- Never try cutting through two logs at same time. This could increase the risk of kickback.
- While cutting log, never hold log with your hand, leg, or foot.
- While cutting log, never allow another person to hold log.
- Turn off and unplug saw before moving from one place to another.

Bucking a log is cutting a log into sections. Make sure your footing is firm. Keep feet apart. Divide your weight evenly on both feet. When possible, raise log or section off ground. Do this by using limbs, logs, chocks, etc.

When cutting through log, maintain control by reducing cutting pressure near end of cut. Do not relax your grip on chain saw handles. Do not let moving chain touch ground. Ground will dull moving chain. After cutting through log, release trigger to turn saw off before moving saw.

Follow directions below to buck a log.

### Entire Length Of Log On Ground

Cut log from top (see Figure 14).

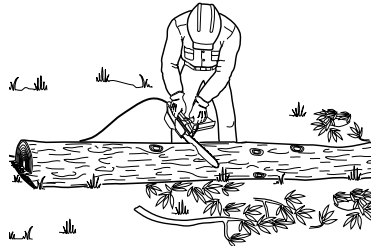


Figure 14 - Bucking Log With Entire Length On Ground

# OPERATING CHAIN SAW

## Continued

### Log Supported On One End

1. Make first cut on underside of log (see Figure 15). Use top of guide bar to make this cut. Cut 1/3 through diameter of log. This cut will keep section from splintering when cut.
2. Make second cut directly above first cut. Cut down to meet first cut. This cut will keep log from pinching guide bar and chain.

### Log Supported On Both Ends

1. Make first cut from above log (see Figure 16). Cut 1/3 through diameter of log. This cut will keep section from splintering when cut.
2. Make second cut on underside of log, directly under first cut. Use top of guide bar to make this cut. Cut up to meet first cut. This will keep log from pinching guide bar and chain.

### TRIMMING A TREE (Pruning)

**WARNING: Avoid kickback. Kickback can result in severe injury or death. See Kickback, pages 4 and 5, to avoid risk of kickback.**

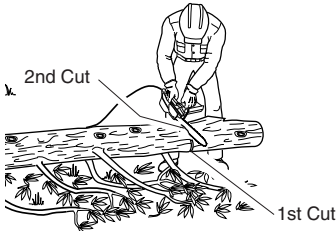


Figure 15 - Bucking Log When Log Is Supported On One End

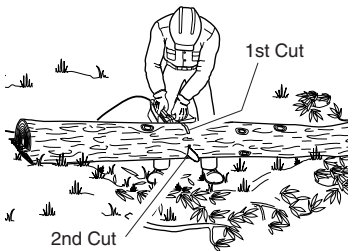


Figure 16 - Bucking Log When Log Is Supported On Both Ends

**WARNING: Do not operate chain saw while**

- in a tree
- on a ladder or any other unstable surface
- in any awkward position

**You may lose control of saw causing severe injury.**

**WARNING: Do not cut limbs higher than your shoulders.**

**CAUTION: Seek professional help if facing conditions beyond your ability.**

Trimming a tree is the process of cutting limbs from a living tree. Make sure your footing is firm. Keep feet apart. Divide your weight evenly on both feet. Follow directions below to trim a tree.

1. Make first cut six inches from tree trunk on underside of limb. Use top of guide bar to make this cut. Cut 1/3 through diameter of limb (see Figure 17).
2. Move two to four inches farther out on limb. Make second cut from above limb. Continue cut until you cut limb off.
3. Make third cut as close to tree trunk as possible on underside of limb stub. Use top of guide bar to make this cut. Cut 1/3 through diameter of stub.
4. Make fourth cut directly above third cut. Cut down to meet third cut. This will remove limb stub.

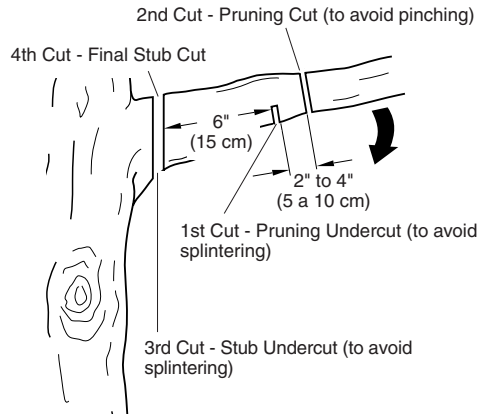


Figure 17 - Cutting A Limb

# CLEANING AND MAINTENANCE

**NOTICE:** Below are instructions for servicing your chain saw. Any servicing not mentioned below should be done by an authorized service center.

## CLEANING SAW BODY

**⚠ WARNING:** Unplug chain saw from power source before servicing. Severe injury or death could occur from electrical shock or body contact with moving chain.

**⚠ WARNING:** Cutting edges on chain are sharp. Use protective gloves when handling chain.

**⚠ WARNING:** When cleaning saw body,

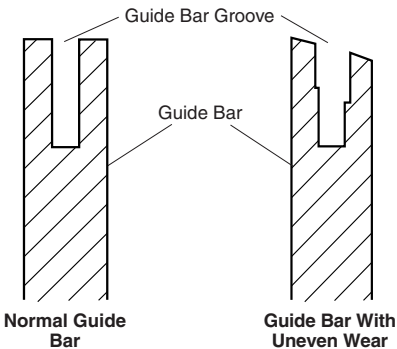
- do not submerge saw in any liquids
- do not use products that contain ammonia, chlorine, or abrasives
- do not use chlorinated cleaning solvents, carbon tetrachloride, kerosene, or gasoline

Keep saw body clean. Use a soft cloth dampened with a mild soap and water mixture. Wipe saw body to clean.

## CARE OF GUIDE BAR

Uneven bar wear causes most guide bar problems. Incorrect sharpening of chain cutter and depth gauge settings often cause this. When bar wears unevenly, it widens guide bar groove (see Figure 18). This causes chain clatter and rivet popping. Saw will not cut straight. Replace guide bar if this occurs.

Inspect guide bar before sharpening chain. A worn or damaged guide bar is unsafe. A worn or damaged guide bar will damage chain. It will also make cutting harder.



**Figure 18 - Guide Bar Cross Section Showing Uneven Bar Wear**

## Normal Guide Bar Maintenance

1. Remove guide bar from chain saw.
2. Remove sawdust from guide bar groove periodically. Use putty knife or wire (see Figure 19).
3. Clean oil slots after each day of use.
4. Remove burrs from sides of guide bar. Use flat file to make side edges square.

Replace guide bar when

- bar is bent or cracked
- inside groove of bar is badly worn

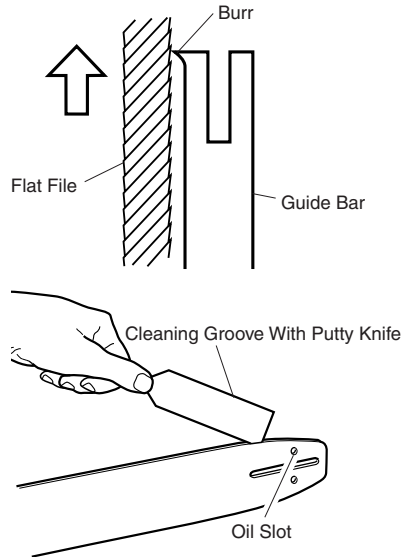
*Note:* When replacing guide bar, see *Replacement Parts and Accessories*, page 16, for proper bar.

## SHARPENING SAW CHAIN

**⚠ WARNING:** Unplug chain saw from power source before servicing. Severe injury or death could occur from electrical shock or body contact with moving chain.

**⚠ WARNING:** Cutting edges on chain are sharp. Use protective gloves when handling chain.

Keep chain sharp. Your saw will cut faster and more safely. A dull chain will cause undue sprocket, guide bar, chain, and motor wear. If you must force chain into wood and cutting creates only sawdust with few large chips, chain is dull.



**Figure 19 - Guide Bar Maintenance**

# CLEANING AND MAINTENANCE

## Continued

### Items Needed to Sharpen Chain

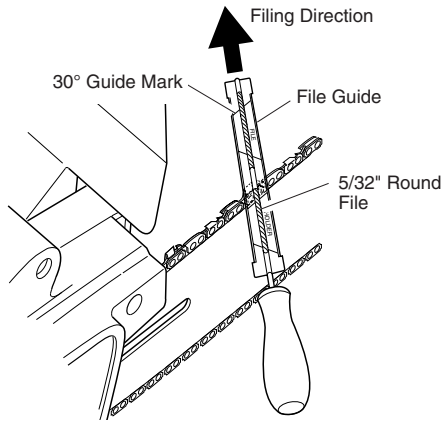
Purchase these items from your local dealer, hardware store, or chain saw supplies outlet.

- 5/32" round file
- Depth gauge tool
- File guide
- Vise
- Medium sized flat file

### Sharpening Cutters

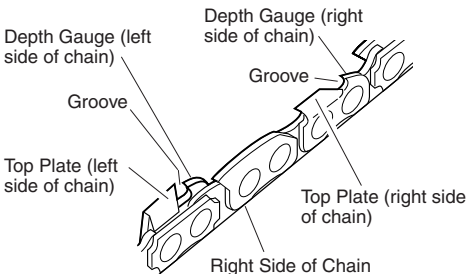
Use file guide for 30° filing.

1. Adjust chain for proper tension (see *Saw Chain Tension Adjustment*, pages 8 and 9).
2. Clamp guide bar in vise to hold saw steady. **Note:** Do not clamp chain.
3. Press 5/32" round file (attached to file guide) into groove between top plate and depth gauge on chain. File guide should rest on both top plate and depth gauge (see Figure 20). **Note:** File at midpoint of guide bar.



**Note:** This illustration shows file guide placement and filing direction for sharpening cutters on left side of chain.

**Figure 20 - File and File Guide Placement On Chain**



**Figure 21 - Chain Part Locations**

4. Hold file guide level. Make sure 30° mark on file guide is parallel to center of guide bar (see Figure 20). This will insure that you file cutters at 30° angle.
5. File from inside towards outside of cutter until sharp. Only file in this one direction (see Figure 20). **Note:** Two or three strokes with file should sharpen cutter.
6. After each cutter is sharpened, move chain forward to sharpen next cutter. File all cutters on one side of chain.
7. Move to other side of chain and repeat process.

### Filing Cutter Depth Gauges

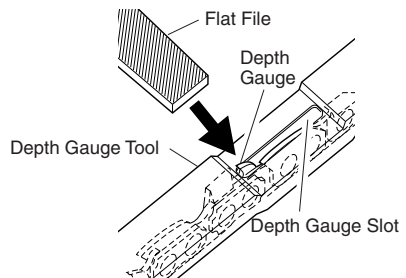
The cutter depth gauge clearance is reduced as cutters are sharpened. After every second or third sharpening, reset cutter depth gauges.

1. Place depth gauge tool (.025") firmly across top of two cutters. Make sure depth gauge enters slot in depth gauge tool (see Figure 22).
2. Use medium flat file. File depth gauge level with depth gauge tool.
3. Remove depth gauge tool. With flat file, round off front corner of cutter depth gauge (see Figure 23).

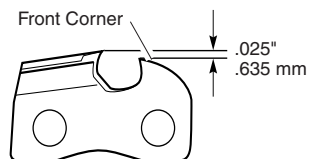
After several hand filings, have authorized service center or sharpening service machine sharpen chain. This will insure even filing.

### REPLACING SAW CHAIN

Replace chain when cutters are too worn to sharpen or when chain breaks. Only use replacement chain noted in this manual. Always include new drive sprocket when replacing chain. This will maintain proper driving of chain. **Note:** For proper chain and drive sprocket, see *Replacement Parts and Accessories*, page 16.



**Figure 22 - Depth Gauge Tool On Chain**



**Figure 23 - Round Off Front Corner Of Depth Gauge**

## STORAGE

If storing saw for more than 30 days, follow steps below.

1. Drain oil tank after each use.
2. Remove and clean guide bar and chain. Clean guide bar and chain by soaking in petroleum based solvent or mild soap and water mixture.
3. Dry guide bar and chain.
4. Place chain in container filled with oil. This will prevent rust.
5. Wipe a thin coating of oil over surface of guide bar.
6. Wipe off outside of saw body. Do this with soft cloth dampened with a mild soap and water mixture.
7. Store chain saw
  - in a high or locked place, out of children's reach
  - in a dry place
  - in a carrying case or with scabbard over guide bar

## TECHNICAL SERVICE

You may have further questions about assembling, operating, or maintaining this product. If so, you can visit our Technical Service web site at [www.desatech.com](http://www.desatech.com) or contact our Technical Service Department at 1-800-858-8501 (English Only). You may also write to:

DESA Specialty Products™

ATTN: Technical Service Specialty Products


P.O. Box 90004

Bowling Green, KY 42102-9004

When contacting DESA Specialty Products™, have ready

- Your Name
- Your Address
- Your Phone Number
- Model Number of Product
- Date of Purchase (Include copy of receipt for written requests).

## REPLACEMENT PARTS AND ACCESSORIES

 **WARNING: Use only replacement parts and accessories described in this manual. Use of other parts or accessories could damage saw or injure operator.**

For original replacement parts and accessories, contact your nearest Authorized Dealer or Authorized Service Center for this product. If they can not supply the part or accessory, contact your nearest Parts Central listed on page 59. Each Authorized Dealer, Authorized Service Center, and Parts Central is independently owned and operated.

See pages 60 through 63 for an Illustrated Parts List.

If you need additional referral information, contact our Technical Service Department (see *Technical Service*).

In Canada call 1-800-561-3372 for parts information.

## REPAIR SERVICE

**Note:** Only use original replacement parts. This will protect your warranty coverage for parts replaced under warranty.

Each Authorized Service Center is independently owned and operated.

## WARRANTY SERVICE

If product requires warranty service, return it to nearest Authorized Service Center. You must show proof of purchase. If faulty materials or workmanship caused damage, we will repair or replace product without charge. **Note:** Normal wear, misuse, abuse, neglect, or accidental damage is not covered under warranty.

## NON-WARRANTY SERVICE

If product requires service, return it to nearest Authorized Service Center. Repairs will be billed to you at regular repair list prices.

For additional Service Center or warranty information, call 1-800-858-8501 or visit our Technical Service web site at [www.desatech.com](http://www.desatech.com).



# TROUBLESHOOTING

*Note:* For additional help, visit DESA Specialty Products™ technical service web site at [www.desatech.com](http://www.desatech.com).



**WARNING:** Unplug chain saw from power source before servicing. Severe injury or death could occur from electrical shock or body contact with moving chain.

OBSERVED FAULT	POSSIBLE CAUSE	REMEDY
Saw runs, but does not cut	Chain assembled backwards on guide bar	See <i>Assembly</i> , pages 7 and 8
Saw does not cut unless heavily forced. Cutting produces only saw-dust with few large chips	Chain is dull	See <i>Sharpening Saw Chain</i> , pages 14 and 15
Saw runs slow. Saw stalls easily	Low power supply voltage	Extension cord wire size too small. See <i>Extension Cords</i> , page 10
Motor of saw does not run when you squeeze trigger	<ol style="list-style-type: none"> <li>1. Switch lockout not pushed forward in to release trigger</li> <li>2. Extension cord connections loose</li> <li>3. Open line fuse or circuit breaker</li> <li>4. Worn out motor brushes</li> <li>5. Open wiring circuit on saw</li> </ol>	<ol style="list-style-type: none"> <li>1. Push switch lockout forward before squeezing trigger</li> <li>2. Check cord connections</li> <li>3. Check line fuse or circuit breaker</li> <li>4. See authorized service center</li> <li>5. See authorized service center</li> </ol>
Motor of saw runs, but chain does not move	Gear train failure	See authorized service center
Chain does not get oil	<p><b>All Models</b></p> <ol style="list-style-type: none"> <li>1. Clogged oil slot in guide bar</li> <li>2. Oil is too thick</li> </ol> <p><b>Models with Automatic Oiler</b></p> <ol style="list-style-type: none"> <li>1. Vent in oil cap clogged</li> <li>2. Filter in oil reservoir clogged</li> <li>3. Pump damaged, do not use saw</li> </ol>	<ol style="list-style-type: none"> <li>1. Remove guide bar and clean oil slot</li> <li>2. Use correct weight of oil. See <i>Filling Oil Tank</i>, page 9</li> <li>1. Remove cap and clean vent hole</li> <li>2. Remove filter in oil reservoir and clean</li> <li>3. See authorized service center</li> </ol>
Chain comes off guide bar	<ol style="list-style-type: none"> <li>1. Chain is loose</li> <li>2. Guide bar and chain not assembled correctly</li> </ol>	<ol style="list-style-type: none"> <li>1. Tighten chain. See <i>Saw Chain Tension Adjustment</i>, pages 8 and 9</li> <li>2. See <i>Assembly</i>, pages 7 and 8</li> </ol>
Saw smokes	Saw damaged. Do not use saw	See authorized service center
Saw leaks oil	Oil cap is not secure	Tighten oil cap. <b>Note: Empty oil tank when not in use</b>

# WARRANTY INFORMATION

Model \_\_\_\_\_

Date Purchased \_\_\_\_\_

## ELECTRIC CHAIN SAW LIMITED WARRANTY

Always specify model and serial numbers when writing the factory.

We reserve the right to amend these specifications at any time without notice. The only warranty applicable is our standard written warranty. We make no other warranty, expressed or implied.

DESA Specialty Products™ warrants this electric chain saw and any parts thereof, to be free from defects in material and workmanship for one year (90 days for reconditioned unit) from the date of first purchase from an authorized dealer, provided that the product has been properly maintained and operated in accordance with all applicable instructions. The bill of sales or proof of purchase must be presented at the time a claim is made under this warranty.

This warranty is extended only to the original retail purchaser. This warranty covers only the parts and labor required to restore this chain saw to its proper operating condition. Warranty parts must be obtained through factory authorized dealers and service centers for this product. These dealers and service centers will provide original factory replacement parts. Failure to use original factory replacement parts voids this warranty.

This warranty does not cover commercial, industrial, or rental usage, nor does it apply to parts that are not in original condition because of normal wear and tear, or parts that fail or become damaged as a result of misuse, accident, lack of proper maintenance, tampering, or alteration. Travel, handling, transportation, and incidental costs associated with warranty repairs are not reimbursable under this warranty and are the responsibility of the owner.

To the full extent allowed by the law of the jurisdiction that governs the sale of the product, this express warranty excludes any and all other expressed warranties and limits the duration of any and all implied warranties, including warranties of merchantability and fitness for a particular purpose to one year from the date of first purchase, and DESA Specialty Products™ liability is hereby limited to the purchase price of the product and DESA Specialty Products™ shall not be liable for any other damages whatsoever including indirect, incidental, or consequential damages.

Some states do not allow limitation of how long an implied warranty lasts or an exclusion or limitation of incidental or consequential damages, so the above limitation of damages may not apply to you.

This warranty provides the original purchaser with specific rights. For information regarding those rights, please consult the applicable state laws.



Bowling Green, KY 42102-9004  
800-858-8501 (English Only)

[www.desatech.com](http://www.desatech.com)

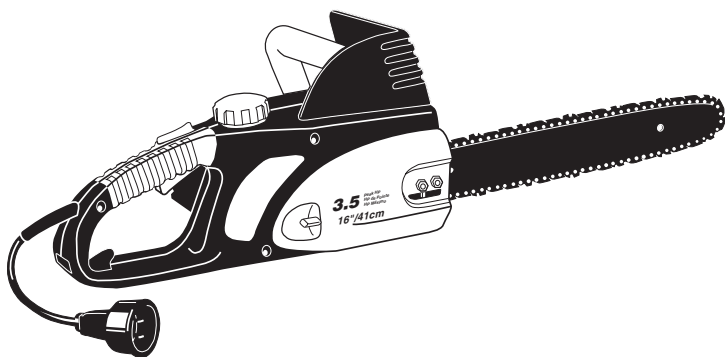
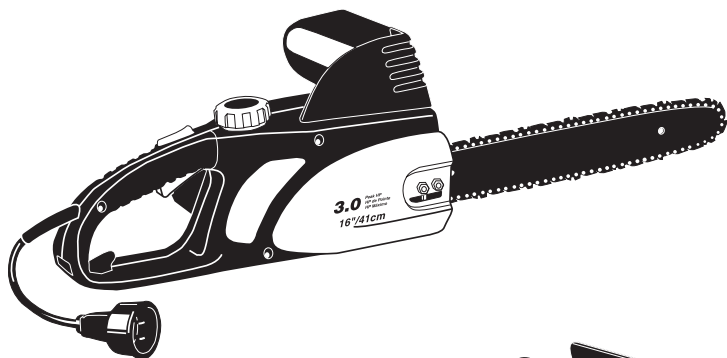
**DESA**  
Industries of Canada, Inc.

2220 Argentia Road  
Unit #4  
Mississauga, Ontario  
L5N 2K7  
905-826-8010  
FAX 905-826-8236

[www.desatech.com](http://www.desatech.com)

# REMINGTON®

## SIERRA ELÉCTRICA MANUAL PARA EL USUARIO



MODELOS EL-8: 107624-01, 107624-02, 107625-01, 107625-02, 111174-01


**IMPORTANTE:** Lea cuidadosamente este manual antes de armar u operar esta sierra eléctrica. El uso indebido de la misma puede provocar graves lesiones. Guarde este manual para consultarlo cuando lo necesite.



# El Contenido

<b>INFORMACIÓN IMPORTANTE DE SEGURIDAD</b> .....	<b>21</b>
Antes de utilizar la sierra .....	21
Al utilizar la sierra .....	21
Contragolpes .....	22
Mantenimiento y almacenamiento de su sierra eléctrica .....	23
<b>IDENTIFICACIÓN DEL PRODUCTO</b> .....	<b>24</b>
<b>DESEMBALAJE</b> .....	<b>24</b>
<b>TERMINOLOGÍA</b> .....	<b>25</b>
<b>ENSAMBLAJE</b> .....	<b>25</b>
<b>AJUSTE DE TENSIÓN DE LA CADENA SERRADA</b> .....	<b>27</b>
<b>USO DE LA SIERRA ELÉCTRICA</b> .....	<b>28</b>
Lubricación .....	28
Lubricación de la cadena .....	28
Cables de prolongación.....	29
Realización de cortes.....	29
Tala de un árbol (Derribamiento de un árbol).....	30
Desmembramiento de un árbol .....	31
Trozado de un tronco.....	31
Poda de un árbol .....	32
<b>LIMPIEZA Y MANTENIMIENTO</b> .....	<b>33</b>
Limpieza del cabezal.....	33
Cuidado de la barra de guía.....	33
Afilado de la cadena.....	34
Recambio de la cadena serrada.....	35
<b>ALMACENAMIENTO</b> .....	<b>36</b>
<b>SERVICIO TÉCNICO</b> .....	<b>36</b>
<b>ACCESORIOS Y PIEZAS DE REPUESTO</b> .....	<b>36</b>
<b>SERVICIO DE REPARACIÓN</b> .....	<b>36</b>
Servicio con garantía.....	36
Servicio sin garantía.....	36
<b>DIAGNÓSTICO Y RESOLUCIÓN DE PROBLEMAS</b> .....	<b>37</b>
<b>INFORMACIÓN DE GARANTÍA</b> .....	<b>38</b>
<b>PARTS CENTRAL/CENTRAL DE PIEZAS/DÉPÔT DE PIÈCES</b> .....	<b>59</b>
<b>ILLUSTRATED PARTS BREAKDOWN/DESGLOSE ILUSTRADO DE PARTES/SCHÉMA DES PIÈCES</b> .....	<b>60</b>
Models/Modelos/Modèles 107624-01 & 107624-02.....	60
<b>ILLUSTRATED PARTS BREAKDOWN/DESGLOSE ILUSTRADO DE PARTES/SCHÉMA DES PIÈCES</b> .....	<b>62</b>
Models/Modelos/Modèles 107625-01, 107625-02, & 111174-01.....	62

# INFORMACIÓN IMPORTANTE DE SEGURIDAD

 **ADVERTENCIA:** Al utilizar una sierra eléctrica, deben seguirse siempre las precauciones de seguridad básicas para reducir el riesgo de incendios, choque eléctrico y lesiones a personas, incluyendo las siguientes:

## LEA TODAS LAS INSTRUCCIONES.

**Asegúrese de leer y comprender completamente todas las instrucciones en Información importante de seguridad en las páginas 21 por 24. El uso indebido de esta sierra eléctrica puede provocar lesiones graves (y aun la muerte) a causa de incendio, shock eléctrico, el contacto del cuerpo con la cadena en movimiento o la caída de un trozo de árbol.**

## ANTES DE UTILIZAR LA SIERRA

1. Lea detenidamente este manual para el usuario antes de utilizar la sierra eléctrica.
2. Proceda con cautela. Utilice el sentido común. No utilice la sierra cuando se sienta cansado.
3. Utilice la sierra sólo para cortar madera. No la utilice con fines para los que no ha sido diseñada. No la utilice para cortar plásticos, mampostería, etc.
4. Sólo un adulto bien instruido debe utilizar la sierra. Nunca permita que sea utilizada por niños.
5. Utilice sólo el voltaje eléctrico indicado en la placa del modelo de la sierra.
6. Utilice sólo cables de prolongación diseñados para el aire libre. Consulte la página 29 para conocer los requisitos del cable de prolongación.
7. No utilice la sierra
  - cuando se encuentre bajo la influencia de alcohol, medicamentos o drogas;
  - bajo la lluvia o en áreas húmedas o mojadas;
  - en presencia de líquidos o gases altamente inflamables;
  - cuando ésta se encuentre dañada, mal ajustada o armada de manera incompleta e insegura;
  - si no es posible encenderla y apagarla mediante el gatillo. La cadena debe dejar de moverse al soltar el gatillo. Si el interruptor se encuentra defectuoso, hágalo reemplazar en un centro de servicios autorizado (consulte *Servicio Técnico* en la página 36).
  - cuando tenga prisa;
  - cuando esté arriba de un árbol o sobre una escalera, a menos que se encuentre capacitado para hacerlo.

8. Al utilizar la sierra, lleve ropa ajustada. No utilice ropa ni lleve accesorios sueltos, ya que éstos pueden quedar atrapados en la cadena en movimiento.
9. Utilice los siguientes elementos de seguridad para utilizar la sierra eléctrica:
  - guantes resistentes (utilice guantes de goma para trabajar al aire libre);
  - calzado resistente con suelas no resbaladizas;
  - protección ocular, tal como gafas de seguridad o una pantalla facial;
  - casco de seguridad;
  - orejeras o tapones para los oídos;
  - cubrecabellos, especialmente si tiene cabello largo;
  - máscara contra el polvo (el trabajar en zonas polvorientas).
10. Antes de comenzar a cortar, asegúrese de contar con:
  - zona de trabajo limpia;
  - calzado firme;
  - camino de retirada para el momento de caída del árbol.
11. Inspeccione el árbol antes de talarlo. Asegúrese de que no tenga ramas o vástagos secos que puedan caerle encima.
12. Para reducir el riesgo de shock eléctrico, esta sierra tiene un enchufe polarizado (un conector es más ancho que el otro) y sólo entrará de una manera en un tomacorriente polarizado. Si el enchufe no entra completamente en el tomacorriente de su cable de prolongación, inviértalo. Si, aun así, tampoco entra, necesitará un cable de prolongación polarizado. No altere el enchufe de manera alguna.

## AL UTILIZAR LA SIERRA

1. Permanezca alerta. Utilice el sentido común.
2. Mantenga limpia el área de trabajo. Las áreas de trabajo sucias pueden provocar lesiones.
3. Tenga en cuenta la posición del cable de prolongación. Asegúrese de no tropezar sobre él. Manténgalo alejado de la sierra y del operario en todo momento.
4. Mantenga a los niños, animales y observadores alejados de la sierra y del cable de prolongación. Sólo el operario de la sierra debe permanecer en el área de trabajo.
5. No proceda a talar un árbol a menos que esté entrenado o que disponga de un asistente con experiencia.
6. Si dos o más personas realizan tareas de tala y trozado al mismo tiempo, cerciórese de que haya una buena cantidad de espacio entre ellos. El espacio que separa a ambas personas debe ser por lo menos igual al doble de la altura del árbol que se está talando.
7. Asegure la madera que se ha de cortar mediante mordazas o cuñas.

Continúa

# INFORMACIÓN IMPORTANTE DE SEGURIDAD (Continuación)

8. Sujete la sierra firmemente con ambas manos. Nunca utilice la sierra con una sola mano. Nunca utilice el protector de mano a manera de mango.
9. No coloque el dedo en el gatillo hasta que esté listo para realizar el corte.
10. Antes de activar la sierra, asegúrese de que no se encuentre en contacto con nada.
11. Para protegerse de un shock eléctrico, evite el contacto corporal con objetos conectados a tierra tales como caños, vallas, cercas y postes de metal.
12. Mantenga todas las partes del cuerpo alejadas de la sierra mientras la cadena esté en movimiento.
13. Al cortar, no aplique gran fuerza a la sierra. Para realizar el trabajo de manera más segura, mejor y en la cantidad de tiempo para la cual fue diseñada la sierra, basta aplicar una ligera presión sobre ella.
14. Al cortar matorrales y plantas tiernas, proceda con cuidado. Los materiales finos pueden atascarse en la cadena y azotar contra su cuerpo o provocar que pierda el equilibrio.
15. Proceda con sumo cuidado al cortar ramas o vástagos de árboles que se encuentran en tensión. Está preparado para actuar en caso de contragolpe de la madera. Al liberarse la tensión de la madera, la rama puede moverse hacia el operario, golpearlo y provocarle lesiones graves y aun la muerte.
16. Lleve la sierra eléctrica de un lugar a otro
  - con la cadena detenida y la sierra desenchufada;
  - tomándola por el mango anterior (nunca utilice el protector de mano a manera de mango);
  - con el dedo fuera del gatillo;
  - con la barra de guía y la cadena mirando hacia atrás.

**⚠ ADVERTENCIA:** Este producto contiene sustancias químicas conocidas en el estado de California como causas de cáncer o de defectos al recién nacido o de otros daños de reproducción.

**⚠ ADVERTENCIA:** El polvo causado cuando se usan herramientas motorizadas para lijar, cortar, esmerilar y taladra, a igual que otras actividades de construcción, contienen sustancias químicas conocidas (en el estado de California) como causantes de cáncer, defectos al recién nacido u otros daños a los órganos de reproducción. Algunos ejemplos de estas sustancias químicas son:

- plomo de las pinturas hechas a base de plomo
- sílice cristalina proveniente de ladrillos y cemento y de otros productos de albañilería
- arsénico y cromo provenientes de madera tratada con sustancias químicas

Su riesgo debido a la exposición a estos elementos varía de acuerdo a cuán a menudo realiza este tipo de trabajo. Para reducir su exposición a estas sustancias químicas: trabaje en una área bien ventilada y use el equipo de seguridad aprobado tales como aquellas mascarillas contra el polvo diseñadas en forma especial para filtrar las partículas microscópicas.

## CONTRAGOLPES

**⚠ ADVERTENCIA:** Los contragolpes pueden ocurrir cuando el extremo o la punta de la barra de guía toca un objeto o cuando la madera “se cierra” y presiona la cadena dentro del corte. En algunos casos, el contacto de la punta de la barra puede provocar una rápida reacción de contragolpe y conducir la barra de guía repentinamente hacia arriba y hacia atrás, en dirección al operario. La compresión de la cadena serrada contra la barra de guía puede lanzar la sierra rápidamente hacia atrás, también en dirección al operario. Cualquiera de estas reacciones puede hacer que el operario pierda el control de la sierra y provocarle lesiones graves.

## Dispositivos de seguridad de esta sierra contra contragolpes

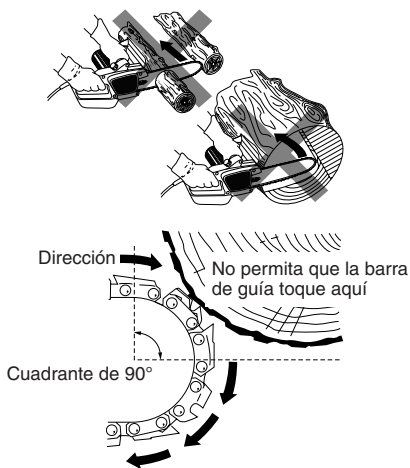
Esta sierra tiene una cadena de bajo contragolpe y una barra de guía de reducción de contragolpes. Ambas características reducen las probabilidades de contragolpe. Sin embargo, aún pueden ocurrir contragolpes con esta sierra.

# INFORMACIÓN IMPORTANTE DE SEGURIDAD (Continuación)

Siga las instrucciones de ensamblaje de las páginas 25 y 26. No retire el protector de mano frontal. No lo reemplace con un sustituto.

Las siguientes medidas reducen el riesgo de contragolpe.

- Utilice ambas manos para sujetar la sierra mientras se encuentre en funcionamiento. Sujétela con firmeza: los mangos de la sierra deben quedar bien tomados en sus dedos.
- Mantenga todos los dispositivos de seguridad de la sierra en su lugar. Asegúrese de que funcionen correctamente.
- No se extienda por demás ni realice cortes por encima de la altura de sus hombros.
- Manténgase en posición firme y con buen equilibrio en todo momento.
- Permanezca ligeramente a la izquierda de la sierra. De esta manera, su cuerpo no estará directamente alineado con la cadena.
- No permita que el extremo de la barra de guía toque nada mientras la cadena se halle en movimiento (vea la Figura 1).
- Nunca intente cortar dos troncos de una sola vez. Corte uno por vez.
- No hunda el extremo de la barra de guía ni intente realizar cortes “de punta” (perforando la madera utilizando el extremo de la barra de guía).
- Manténgase alerta a los cambios de posición de la madera y a otras fuerzas que pueden provocar presión sobre la cadena.



**Figura 1 - Ejemplo del peligro de contragolpe: No permita que el extremo de la barra de guía toque el objeto mientras la cadena está en movimiento**

- Proceda con suma cautela al reingresar a un corte realizado previamente.
- Utilice la cadena y la barra de guía de contragolpe reducido suministrados con esta sierra. Reemplácelos exclusivamente con las cadenas y barras de guía enumeradas en este manual.
- Nunca utilice cadenas romas (desgastadas) o sueltas. Mantenga la cadena afilada y tensada.

## Mantenimiento de la cadena y seguridad contra contragolpes

Siga las instrucciones de mantenimiento de este manual. La limpieza correcta de la sierra y el mantenimiento adecuado de la cadena y la barra de guía pueden reducir las probabilidades de contragolpe. Después de cada uso, inspeccione su sierra y realice las tareas de mantenimiento necesarias. Esto prolongará la vida útil de la sierra. **Nota:** el riesgo de contragolpe puede incrementar cada vez que se afila la cadena, aun al afilarla debidamente.

## MANTENIMIENTO Y ALMACENAMIENTO DE SU SIERRA ELÉCTRICA

1. Desenchufe la sierra de la fuente de alimentación
  - cuando no se encuentre en uso;
  - antes de trasladarla de un lugar a otro;
  - antes de realizar tareas de servicio en ella;
  - antes de recambiar piezas o accesorios de la misma, tales como la cadena serrada y el protector.
2. Inspeccione la cadena serrada antes y después de cada uso. Inspeccione la sierra detenidamente si se daña el protector u otra parte. Compruebe que no presente daños que pueden afectar la seguridad del operario o de la herramienta en sí. Verifique la alineación y la articulación de las piezas móviles. Compruebe que no haya piezas rotas o dañadas. No utilice la sierra si presenta daños que afectan su funcionamiento o la seguridad del operario. Haga reparar los daños en un centro de servicios autorizado.
3. Cuide de su sierra eléctrica.
  - Nunca la exponga a la lluvia.
  - Mantenga la cadena afilada, limpia y lubricada para mayor rendimiento y seguridad.
  - Para afilar la cadena, siga los pasos delineados en este manual.
  - Mantenga los mangos siempre secos, limpios y sin aceite o grasa.
  - Mantenga ajustadas todas las tuercas y tomillos.
  - Inspeccione el cable de alimentación a menudo. Si se encuentra dañado, hágalo reparar en un centro de servicios autorizado.
  - Nunca acarree la sierra eléctrica llevándola del cable de alimentación.
  - Nunca tire del cable de alimentación para desenchufarlo.
  - Mantenga el cable de alimentación alejado del calor, el aceite y los bordes afilados.

*Continúa*

# INFORMACIÓN IMPORTANTE DE SEGURIDAD (Continuación)

- Inspeccione los cables de prolongación con frecuencia; si están dañados, reemplácelos.
4. El realizar tareas de servicio, utilice sólo piezas de repuesto idénticas.
  5. Cuando no utilice la sierra, guárdela
    - en un sitio alto o bajo llave, fuera del alcance de los niños;

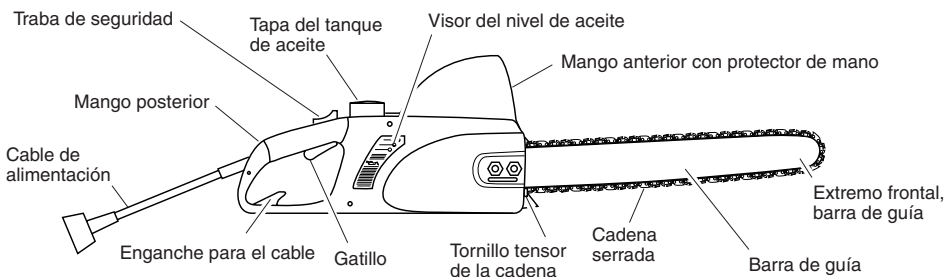
- en un lugar seco;
- en un estuche o con la funda colocada sobre la barra de guía.

**Guarde estas instrucciones.** Este manual es su guía para utilizar esta sierra eléctrica de manera adecuada y segura.

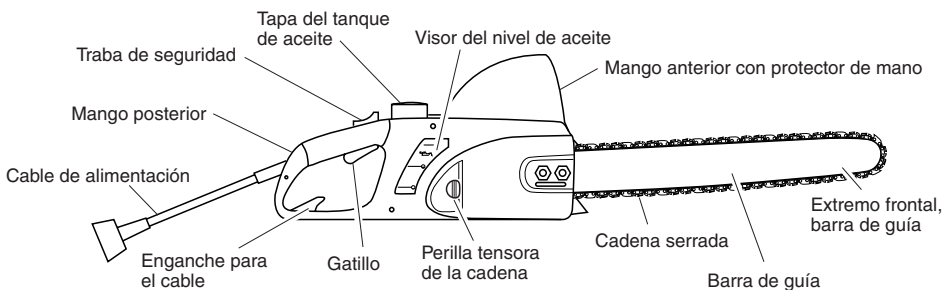
## DESEMBALAJE

1. Retire todos los elementos del embalaje.
2. Revise todos los artículos para ver si se han dañado durante su envío. Si encuentra algo dañado o algo que falta, llame a Technical Services al 1-800-858-8501 para recibir servicio rápido.

## IDENTIFICACIÓN DEL PRODUCTO



**Figura 2 - Sierra eléctrica modelo 107624-01, -02**



**Figura 3 - Sierra eléctrica modelo 107625-01, -02, 111174-01**



# TERMINOLOGÍA

**Barra de guía** Barra de metal que se extiende hacia adelante desde el cabezal. La barra de guía sostiene y guía la cadena serrada.

**Barra de guía de contragolpe reducido** Barra de guía que reduce las probabilidades de contragolpe.

**Cabezal** La sierra eléctrica sin la cadena ni la barra de guía.

**Cadena de contragolpe reducido** Cadena que reduce las probabilidades de contragolpe según la norma ANSI B175.1.

**Cadena de repuesto** Cadena que satisface la norma ANSI B175.1 cuando se la utiliza con una sierra específica. Puede no satisfacer las exigencias de ANSI si se la utiliza con otras sierras.

**Cadena serrada (Cadena)** Una cadena cerrada que tiene eslabones dentados para cortar madera. El motor impulsa la cadena y la barra de guía la sostiene.

**Contragolpe** Movimiento rápido hacia arriba y hacia atrás de la barra de guía. Los contragolpes pueden producirse cuando el extremo de la barra de guía toca algún objeto mientras la cadena se halla en movimiento. La barra de guía se sacude hacia arriba y hacia atrás, en dirección al operario.

**Control de lubricación** Sistema para lubricar la cadena y la barra de guía.

**Corte de muesca** Corte de muesca en un árbol que sirve para dirigir su caída.

**Corte inferior** Un corte hacia arriba desde el lado inferior de un tronco o una rama. Se realiza adoptando la posición de corte normal, pero utilizando la parte superior de la barra de guía.

**Cuña** Se usa un bloqueo o una cuña para asegurar que la madera no se mueva.

**Desmembramiento** El proceso de cortar ramas de un árbol talado.

**Dientes de fijación** Protuberancias (“dientes”) que se hallan en la sección frontal cabezal, junto a la barra de guía. Mantenga estos dientes en contacto con la madera al talar o trozar, ya que esto contribuye a mantener la posición de la sierra al cortar.

**Extremo frontal de la barra de guía** La punta de la barra de guía.

**Gatillo** Dispositivo que enciende y apaga la sierra. Al oprimirlo, la sierra se enciende. Al soltarlo, se apaga.

**Interruptor** Dispositivo que cierra o interrumpe el circuito eléctrico del motor de la sierra.

**Mango anterior** Se encuentra en la parte frontal de la sierra.

**Mango posterior** El mango que se halla en la parte posterior del cabezal.

**Podar** El proceso de cortar ramas de un árbol con vida.

**Posición de corte normal** Postura utilizada al realizar cortes para talar un árbol.

**Protector de mano frontal** Escudo entre el mango frontal y la barra de guía. Protege la mano izquierda mientras se utiliza la sierra.

**Retroceso (Contragolpe, Presión)** Retroceso rápido de la sierra eléctrica. Puede ocurrir si la parte de la cadena que se encuentra sobre la barra de guía queda presionada, atrapada o toca algún objeto extraño.

**Rueda dentada** Rueda dentada que impulsa la cadena.

**Tala final** El último corte que se realiza al talar un árbol. Debe realizarse del lado opuesto a las muescas.

**Talar** El proceso de cortar y derribar un árbol.

**Traba de seguridad** Dispositivo que impide el accionamiento accidental de la sierra.

**Trozar** El proceso de cortar un árbol talado o un tronco en trozos.

**Vínculo con el interruptor** Este dispositivo conecta el interruptor con el gatillo. Al oprimirse el gatillo, este vínculo mueve el interruptor.

## ENSAMBLAJE

*Nota:* Algunos modelos se suministran previamente ensamblados. No es necesario realizar tareas de ensamblaje en estos modelos.

Vea *Ajuste de tensión de la cadena serrada* en las páginas 27 y 28.



**ADVERTENCIA:** Los bordes de corte de la cadena son afilados. Al manipular la cadena, utilice guantes de protección.

**IMPORTANTE:** No coloque ni sujete la sierra eléctrica en una prensa para ensamblarla.

1. Estire la cadena sobre una superficie plana.
2. Afloje y retire las tuercas de la barra de guía y la cubierta propiamente dicha.
3. Afloje y quite el tornillo del piñón impulsor o quite el anillo-E del eje (vea la Figura 4, página 26). Quite el soporte del piñón.
4. Instale la barra de guía en el cabezal. Coloque la ranura central de la barra de guía sobre los pernos de la barra de guía.
5. Para reemplazar el soporte del piñón, repita el paso 3 en orden reverso. Ajuste firmemente el tornillo del piñón impulsor con un destornillador Phillips #2 (si es aplicable).

Continúa

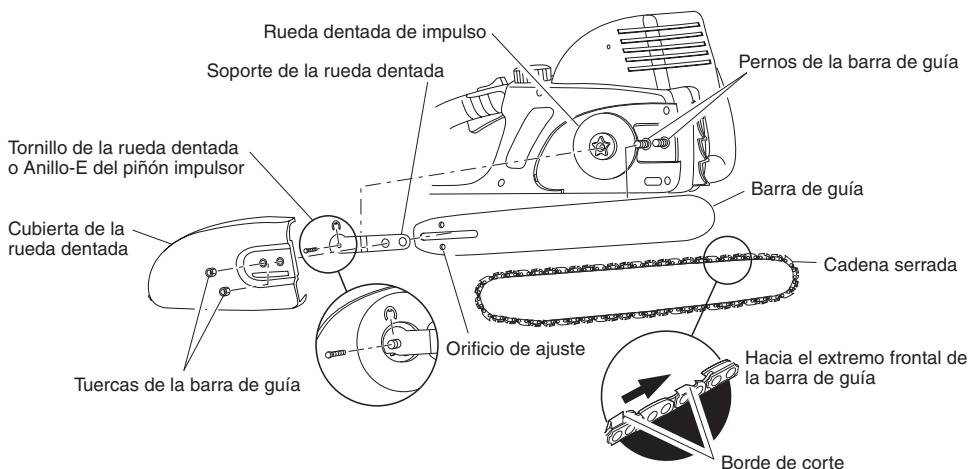
## ENSAMBLAJE (Continuación)

6. Coloque la cadena sobre la circunferencia de la rueda dentada, a lo largo de la ranura superior de la barra de guía y sobre el extremo de la misma. **Nota:** Asegúrese de disponer los bordes de corte de la cadena en la dirección correcta. Coloque la cadena de modo que los bordes de corte de la parte superior de la barra de guía miren hacia el extremo de la misma (vea la Figura 4 y el indicador que se encuentra en la cubierta lateral de la sierra).

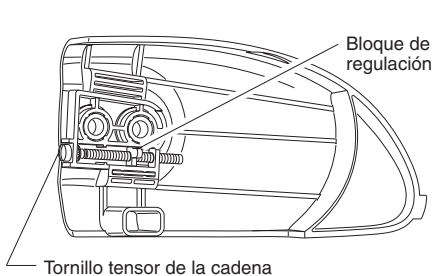
**⚠ PRECAUCIÓN: Al colocar la cadena sobre la sierra, no lo haga en sentido inverso. En caso contrario, la sierra vibrará intensamente y no cortará.**

7. Inserte la pestaña de la cubierta de la rueda dentada en la ranura de la cubierta lateral y hágala girar sobre los pernos de la barra de guía hasta que descance sobre ésta.

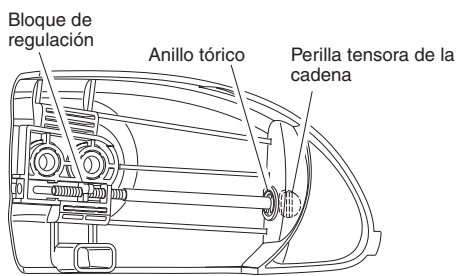
8. Coloque las tuercas de la barra de guía (retirados en el paso 2) sobre los pernos de la barra de guía. **IMPORTANTE:** Ajuste las tuercas de la barra de guía únicamente con la mano.
9. Al girar la perilla tensora de la cadena (Modelo 107625-01, -02, 111174-01) o el tornillo tensor de la cadena (Modelo 107624-01, 02), se regula la posición del bloque de regulación hasta que esté alineado e insertado en el orificio redondo de regulación de la barra guía (vea las Figuras 4, 5 y 6, página 8). Al girar la perilla tensora de la cadena o el tornillo tensor de la cadena en sentido antihorario se moverá del bloque de regulación hacia atrás de la barra guía. Al girar la perilla o el tornillo tensor de la cadena en sentido horario se moverá del bloque de regulación hacia delante de la barra guía.
10. Si es necesario, vuelva a ajustar las tuercas de la barra de guía, utilizando sólo las manos.
11. Ajuste la tensión de la cadena serrada. Siga los pasos descritos en *Ajuste de tensión de la cadena serrada*, páginas 27 y 28.



**Figura 4 - Ensamblaje de la barra de guía y la cadena**



**Figura 5 - En los modelos 107624-01, 02 gire el tornillo tensor de la cadena**



**Figura 6 - En los modelos 107625-01, -02, 111174-01 gire la perilla tensora de la cadena**

# AJUSTE DE TENSION DE LA CADENA SERRADA

**⚠ ADVERTENCIA:** Desenchufe la sierra eléctrica antes de ajustar la tensión de la cadena serrada.

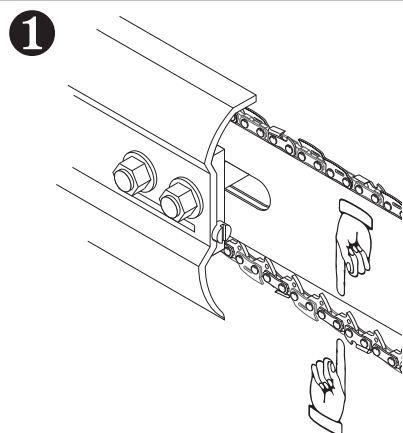
**⚠ ADVERTENCIA:** Los bordes de corte de la cadena son afilados. Al manipular la cadena, utilice guantes de protección.

**⚠ ADVERTENCIA:** Siempre mantenga la cadena debidamente tensionada. Si la cadena se encuentra suelta, existe mayor riesgo de contragolpes. Además, la cadena suelta puede salir despedida de la ranura de la barra de guía. Esto puede lesionar al operario y provocar daños en la cadena. Si la cadena está suelta, la cadena, la rueda dentada y la barra de guía se desgastarán rápidamente.

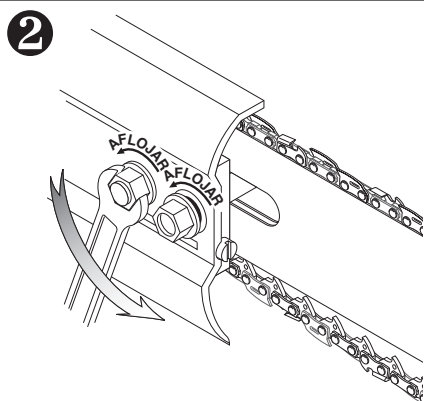
## IMPORTANTE

Si no sigue estas instrucciones cuando tense la cadena de la sierra dañará la sierra y anulará la garantía. Para mayor información llame al 1-800-858-8501.

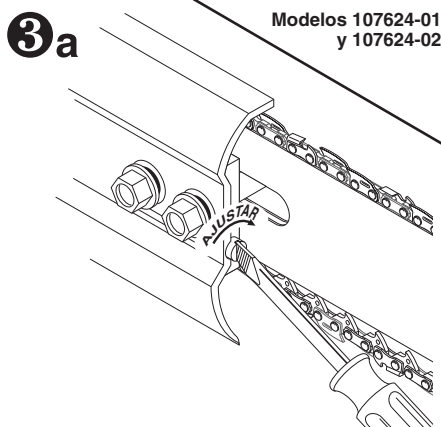
Las nuevas cadenas de la sierra se estirarán. Verifique con frecuencia la tensión de la cadena cuando la use por primera vez y ajústela cuando la cadena se afloje alrededor de la barra guía.



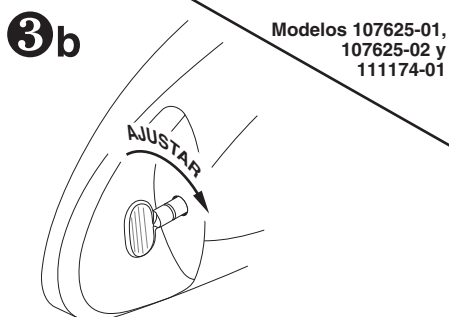
Si la cadena se afloja alrededor de la barra guía, deje que la cadena se enfríe y entonces...



Afloje las dos tuercas...



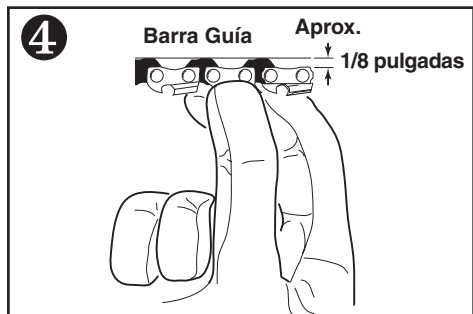
Gire el tornillo tensor de la cadena en sentido horario para tensar la cadena de la sierra o...



Gire la perilla tensora de la cadena en sentido horario para tensar la cadena de la sierra...

Continúa

## AJUSTE DE TENSIÓN DE LA CADENA SERRADA (Continuación)



Hale la cadena para comprobar la tensión. Los eslabones de la guía no deben salirse de la ranura de la barra guía...



## USO DE LA SIERRA ELÉCTRICA

**⚠ ADVERTENCIA:** Lea detenidamente este manual para el usuario antes de utilizar la sierra eléctrica. Asegúrese de leer y comprender completamente todas las instrucciones en *Información importante de seguridad* en las páginas 21 por 24. El uso indebido de esta sierra eléctrica puede provocar lesiones (y aun la muerte) a causa de incendio, shock eléctrico, el contacto del cuerpo con la cadena en movimiento o la caída de un trozo de un árbol.

## LUBRICACIÓN

1. Retire la tapa del tanque de aceite.
2. Llene el tanque con aceite lubricante SAE #30. *Nota:* Si utiliza la sierra a temperaturas de menos de 0°C, utilice aceite lubricante SAE #10. Si la utiliza a temperaturas superiores a 23°C, utilice aceite lubricante SAE #40.
3. Vuelva a cerrar el tanque con la tapa inmediatamente. Ajuste la tapa firmemente para evitar el escape de aceite del tanque.
4. Limpie el aceite excedente.

*Nota:* Es normal que el tanque drene aceite cuando no se utiliza la sierra. Para evitar esto, vacíe el tanque de aceite después de cada uso.

## LUBRICACIÓN DE LA CADENA

### Sistema de lubricación manual

Compruebe siempre el nivel de aceite antes de utilizar la sierra. No intente utilizar el sistema de lubricación con la sierra en funcionamiento. Para lubricar la cadena, oprima el botón de lubricación; al hacerlo, se dispensará aceite a la barra de guía y a la cadena. Oprima el botón de lubricación al menos una vez antes de cada corte. Compruebe el nivel de aceite a menudo utilizando el visor del nivel de aceite (vea la Figura 7).

### Sistema de lubricación automático

La sierra eléctrica modelo 107625-01, -02, 111174-01 viene equipada con un sistema de lubricación automático que suministra lubricación adecuada a la barra de guía y a la cadena. Al trabajar, compruebe el nivel de aceite cada 15 minutos. Para ello, utilice el visor del nivel de aceite (vea la Figura 8).

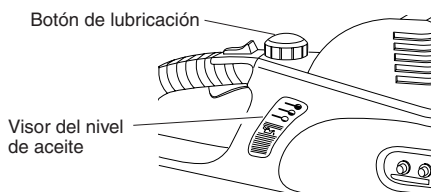


Figura 7 - Posición del botón de lubricación y del visor del nivel de aceite en el modelo 107624-01, -02

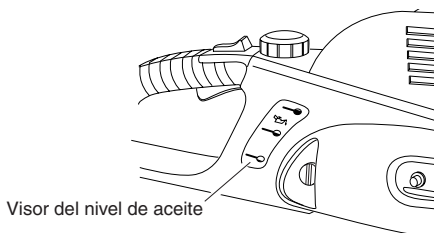


Figura 8 - Posición del visor del nivel de aceite en el modelo 107625-01, -02, 111174-01

# USO DE LA SIERRA ELÉCTRICA

## (Continuación)

### CABLES DE PROLONGACIÓN

Utilice cables de prolongación adecuados para esta sierra. Utilice sólo cables de prolongación para el aire libre. El cable debe presentar el sufijo W o W-A después del tipo de cable. *Por ejemplo:* SJTW-A o SJTW.

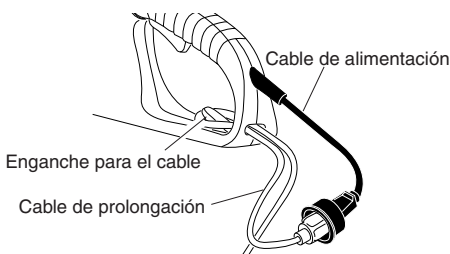
Utilice un cable del calibre adecuado para esta sierra. El cable debe ser lo suficientemente grueso como para conducir la corriente necesaria. El uso de un cable demasiado fino perderá voltaje al llegar a la sierra. La sierra perderá potencia y recalentará. El cable debe cumplir los requerimientos abajo enumerados.

Longitud del cable	Tamaño AWG del cable
7,50 m	16 AWG
15 m	16 AWG
30 m	14 AWG
45 m	12 AWG

**Modelos EL-8: 107624-01, -02; 107625-01, -02, 111174-01**

Mantenga el cable lejos del área de corte. Asegúrese de que no se enriede en ramas o troncos. Inspecciónelo a menudo. Si se daña, reemplácelo inmediatamente.

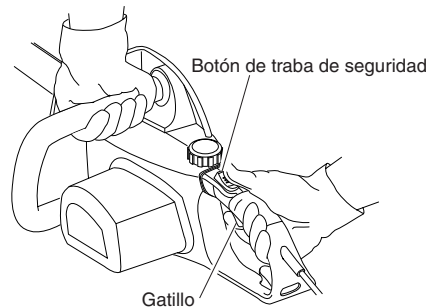
Esta sierra eléctrica tiene un enganche incorporado para el cable de prolongación para evitar que éste se desconecte al utilizar la sierra. Para utilizarlo, forme un lazo con el extremo del cable de prolongación, inserte el lazo en la ranura de la parte posterior del mango y colóquelo en el enganche (vea la Figura 9). Tire cuidadosamente del lazo enganchando hasta eliminar la flojedad del cable. Conecte el cable de prolongación al cable de la sierra eléctrica.



**Figura 9 - Fijación del cable de prolongación en el enganche para el cable**

### REALIZACIÓN DE CORTES

1. Conecte la sierra al cable de prolongación, y éste a un tomacorriente.
2. Cerciórese de que la porción del tronco que desea cortar no yazca sobre el suelo. De este modo, evitará que la cadena toque el suelo al cortar a través de él. Si la cadena toca el suelo mientras se encuentra en movimiento, se desafilará.
3. Utilice ambas manos para sujetar la sierra. Utilice siempre la mano izquierda para asir el mango anterior y la derecha para tomar la posterior. Sujétela con firmeza: los mangos de la sierra deben quedar bien tomados por sus dedos (vea la Figura 10).
4. Asegúrese de mantener una pisada firme. Mantenga los pies separados y distribuya su propio peso sobre ambos pies en forma equilibrada.
5. Cuando esté dispuesto a realizar un corte, presione la traba de seguridad completamente hacia adelante con el pulgar derecho y apriete el gatillo (vea la Figura 10); la sierra se encenderá. Al soltar el gatillo, se apagará. Cerciórese de que la cadena está girando a su máxima velocidad antes de comenzar a cortar.
6. Al comenzar a cortar, coloque la cadena en movimiento sobre la madera. Sujete la sierra firmemente en su lugar para evitar que la sierra rebote hacia arriba y hacia abajo o hacia los lados.
7. Conduzca la sierra ejerciendo una ligera presión. No la someta a un esfuerzo excesivo; de lo contrario, el motor se sobrecargará y se quemará. La sierra funcionará de manera mejor y más segura si se la utiliza según ha sido diseñada.
8. Retire la sierra del corte con la cadena girando a la máxima velocidad. Para interrumpir el corte, suelte el gatillo. Asegúrese de que la cadena haya dejado de moverse antes de asentar la sierra.
9. Ejercítese hasta que sea capaz de mantener una velocidad de corte estable y pareja.



**Figura 10 - Posición del gatillo y de la traba de seguridad**

# USO DE LA SIERRA ELÉCTRICA

## (Continuación)

### TALA DE UN ÁRBOL (Derribamiento de un árbol)

#### ⚠ ADVERTENCIA:

- Evite los contragolpes, ya que pueden provocar lesiones graves y aun la muerte. Para evitar el riesgo de contragolpe, vea la sección *Contragolpes* en las páginas 22 y 23.
- No se disponga a talar un árbol si no es diestro o no cuenta con ayuda confiable.
- Al talar un árbol, mantenga a los niños, animales y curiosos alejados del área.
- Si dos o más personas realizan tareas de tala y trozado el mismo tiempo, cerciórese de que haya una buena cantidad de espacio entre ellos. El espacio que separa a ambas personas debe ser por lo menos igual al doble de la altura del árbol que se está talando.

- #### ⚠ ADVERTENCIA: Al talar un árbol, manténgase alerta a su entorno. No provoque daños ni ponga a riesgo a ninguna persona o línea de servicios públicos. Si el árbol cae sobre alguna línea de un servicio público, comuníquese con la compañía correspondiente de inmediato.

La tala es el proceso de derribar un árbol. Asegúrese de contar con una pisada firme. Mantenga los pies separados y distribuya su propio peso sobre ambos pies de manera equilibrada. Para talar un árbol, siga estas instrucciones:

#### Antes de derribar un árbol

1. Antes de talar un árbol, inspecciónelo. Asegúrese de que no tenga ramas o vástagos secos que puedan caerle encima. Analice la inclinación natural del árbol, la posición de sus ramas más grandes y la dirección del viento. Todo esto le ayudará a decidir hacia qué lado derribar el árbol.
2. Despeje el área de trabajo alrededor del árbol.
3. Planee y despeje un trayecto de retirada para el momento de la caída. Éste debe ser en sentido contrario al de la caída del árbol y a un ángulo de 45° (vea la Figura 11).
4. Retire la tierra, piedras, corteza suelta, clavos, grampas y alambres de las partes del árbol donde aplicará la sierra.

5. Al talar el árbol, manténgase cuesta arriba de él. Una vez derribado, el árbol puede rodar o deslizarse cuesta abajo.

#### Procedimiento de tala

##### A) Corte de la muesca

La preparación correcta de una muesca determinará la dirección en que caerá el árbol. Corte la muesca del lado del árbol correspondiente a la dirección en la cual desea que éste caiga (vea la Figura 12). Siga las instrucciones a continuación para cortar la muesca.

1. Haga el corte inferior de la muesca tan cerca del suelo como sea posible. Sujete la sierra de modo que la barra de guía se encuentre en posición horizontal. Corte a través del tronco del árbol hasta atravesar 1/3 de su diámetro (vea la Figura 12). *Nota:* Haga siempre este corte inferior horizontal en primer lugar. Si la hace en segundo lugar, el árbol puede presionar la cadena o la barra de guía.
2. Comience el corte superior de la muesca a una distancia del corte inferior igual a la profundidad de éste.

*Por ejemplo:* Si el corte inferior tiene una profundidad de 20 cm, comience el corte superior 20 cm por encima de aquél. Corte en dirección hacia abajo y a un ángulo de 45°. El corte superior de la muesca debe llegar y unirse al punto final del corte inferior (vea la Figura 12).

3. Retire la cuña creada por los dos cortes de muesca.

##### B) Tala final

1. Haga el corte de tala final 5 cm por encima del corte inferior de la muesca y sobre el lado opuesto del árbol (vea la Figura 12). Mantenga el corte de tala paralelo al corte inferior de la muesca.
2. Corte en dirección a la muesca.

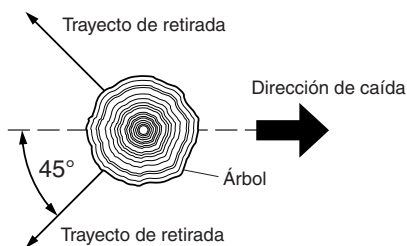


Figura 11 - Trayecto de retirada de un árbol

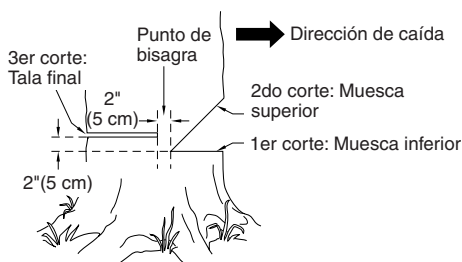


Figura 12 - Tala de un árbol

# USO DE LA SIERRA ELÉCTRICA

## (Continuación)

**⚠ ADVERTENCIA:** No atraviese el árbol completamente. Deje alrededor de cinco centímetros de diámetro sin cortar, directamente detrás de la muesca (vea la Figura 12, página 30). Esta porción sin cortar funciona a manera de bisagra. La bisagra ayuda a evitar que el árbol se tuerza y caiga en la dirección equivocada.

3. A medida que el corte final se aproxime al punto de bisagra, el árbol comenzará a caer. *Nota:* Si es necesario, inserte cuñas dentro del corte de tala final para controlar la dirección de la caída. Si el árbol se echa hacia atrás y presiona la cadena, inserte cuñas dentro del corte final para extraer la sierra. Utilice siempre cuñas de madera, plástico o aluminio. Nunca utilice cuñas de metal, ya que podrían provocar contragolpes y dañar la cadena.
4. Cuando el árbol comience a caer, proceda rápidamente a
  - retirar la sierra del corte de tala final;
  - soltar el gatillo para apagar la sierra;
  - asentar la sierra;
  - salir del área por el trayecto de retirada.

**⚠ ADVERTENCIA:** Manténgase alerta a la caída de ramas del árbol. Mantenga un paso firme al salir del área.

## DESMEMBRAMIENTO DE UN ÁRBOL

**⚠ ADVERTENCIA:** Evite los contragolpes. Éstos pueden provocar lesiones graves y aun la muerte. Para evitar el riesgo de contragolpes, lea la sección *Contragolpes* en las páginas 22 y 23.

**⚠ ADVERTENCIA:** Proceda con sumo cuidado al cortar ramas o vástagos de árboles que se encuentran en tensión. Está preparado para actuar en caso de contragolpe de la madera. Al liberarse la tensión de la madera, la rama puede moverse hacia el operario, golpearlo y provocar lesiones graves y aun la muerte.

Desmembrar un árbol significa retirar las ramas de un árbol caído. Asegúrese de tener una pisada firme. Mantenga los pies separados y distribuya el peso de su cuerpo sobre ambos pies en forma equilibrada.

No retire las ramas grandes que se encuentran por debajo del tronco y separan a éste del suelo. Retire cada rama con un solo corte (vea la Figura 13). Retire las ramas cortadas del área de trabajo con frecuencia para mantener el área segura.

Asegúrese de comenzar a cortar cada rama en un punto donde la sierra no quedará atrapada por presión durante el corte. Para evitar el atrapamiento de la sierra, comience por cortar las ramas que cuelgan libremente, desde arriba hacia abajo. Para cortar ramas en tensión, comience a cortarlas desde abajo. Si la sierra queda atrapada por la presión de la rama, apáguela, levante la rama y retire la sierra.

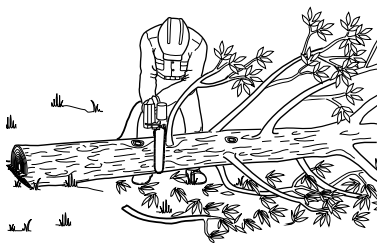


Figura 13 - Desmembramiento de un árbol

## TROZADO DE UN TRONCO

**⚠ ADVERTENCIA:** Evite los contragolpes. Éstos pueden provocar lesiones graves y aun la muerte. Para evitar el riesgo de contragolpes, lea la sección *Contragolpes* en las páginas 22 y 23.

**⚠ ADVERTENCIA:**

- Si se halla en una colina, asegúrese de que el tronco no vaya a rodar cuesta abajo. Asegúrelo con estacas de madera. Introduzca las estacas en el suelo, del lado del tronco que se encuentra cuesta abajo. Permanezca en posición cuesta arriba del tronco al cortar, ya que éste puede rodar después de realizarse un corte.
- Nunca intente cortar a través de dos troncos de una sola vez. De lo contrario, puede aumentar el riesgo de contragolpes.
- Al cortar un tronco, nunca lo sostenga con la mano, la pierna o el pie.
- Al cortar un tronco, no permita que otra persona lo sostenga.
- Apague y desenchufe la sierra antes de trasladarse de un lugar a otro.

Continúa

## USO DE LA SIERRA ELÉCTRICA (Continuación)

Trozar un tronco significa cortarlo en secciones. Asegúrese de tener una pisada firme. Mantenga los pies separados y distribuya su propio peso sobre ambos pies en forma equilibrada. Cuando sea posible, levante y separe del piso el tronco o la sección por cortar, utilizando ramas, troncos, cuñas, etc.

Al cortar el tronco, mantenga el control de la operación reduciendo la presión del corte al aproximarse al final del corte. No relaje los músculos de las manos ni deje que la cadena en movimiento toque el suelo. Si la cadena en movimiento toca el suelo, se desafilará. Al terminar de cortar el tronco, suelte el gatillo para apagar la sierra antes de moverla.

Siga estas instrucciones para trozar un tronco.

### La totalidad del tronco sobre el suelo

Corte el tronco comenzando por arriba (vea la Figura 14).

### Tronco apoyado en un extremo

1. Haga el primer corte del lado inferior del tronco (vea la Figura 15). Utilice la parte superior de la barra de guía para realizar este corte. Atraviese 1/3 del diámetro del tronco. Este corte impedirá la producción de astillas en esta sección al completarse el corte.
2. Haga el segundo corte directamente encima del primero. Corte hacia abajo hasta unir ambos cortes. Este corte impedirá que la barra de guía y la cadena queden atrapadas por la presión del tronco.

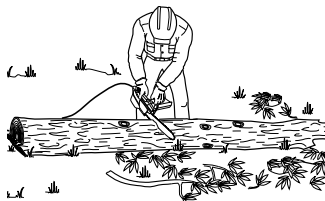


Figura 14 - Trozado del tronco completamente apoyado en el suelo

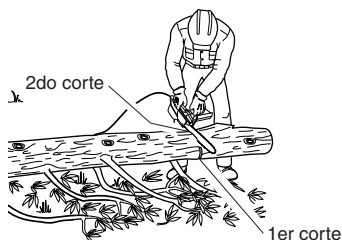


Figura 15 - Trozado del tronco apoyado sobre un solo extremo

### Tronco apoyado sobre ambos extremos

1. Haga el primer corte del lado superior del tronco (vea la Figura 16). Atraviese 1/3 del diámetro del tronco. Este corte impedirá la producción de astillas en esta sección al completarse el corte.
2. Haga el segundo corte directamente debajo del primero. Utilice la parte superior de la barra de guía para realizar este corte. Corte hacia arriba hasta unir ambos cortes. Este corte impedirá que la barra de guía y la cadena queden atrapadas por la presión del tronco.

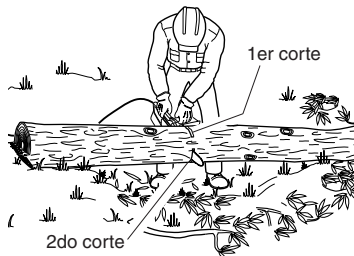


Figura 16 - Trozado del tronco apoyado sobre ambos extremos

### PODA DE UN ÁRBOL

**⚠ ADVERTENCIA:** Evite los contragolpes. Éstos pueden provocar lesiones graves y aun la muerte. Para evitar el riesgo de contragolpes, lea la sección *Contragolpes* en las páginas 22 y 23.

**⚠ ADVERTENCIA:** No utilice la sierra eléctrica mientras se encuentre

- arriba de un árbol;
- sobre una escalera o cualquier otra superficie inestable;
- en cualquier posición incómoda.

Puede perder el control de la sierra y provocar graves lesiones.

**⚠ ADVERTENCIA:** No corte ramas que se encuentren a una altura mayor que la de sus hombros.

**⚠ PRECAUCIÓN:** Si las condiciones del trabajo exceden sus capacidades, busque asistencia profesional.



# USO DE LA SIERRA ELÉCTRICA

## (Continuación)

Podar un árbol es el proceso de cortar ramas de un árbol con vida. Asegúrese de contar con una pisada firme. Mantenga los pies separados y distribuya su peso sobre ambos pies en forma equilibrada. Para podar un árbol, siga estos pasos:

1. Haga el primer corte a quince centímetros del tronco del árbol, del lado inferior de la rama. Utilice el lado superior de la barra de guía para realizar este corte. Atraviese la rama hasta llegar a 1/3 de su diámetro. (vea la Figura 17).
2. Desplácese entre cinco y diez centímetros hacia el extremo de la rama. Haga el segundo corte desde la parte superior de la misma. Atraviese la rama completamente hasta cortarla.
3. Haga el tercer corte tan cerca del tronco como sea posible, del lado inferior de la rama. Utilice la parte superior de la barra de guía. Atraviese la rama hasta alcanzar 1/3 de su diámetro.
4. Haga el cuarto corte directamente encima del tercero. Corte hacia abajo hasta unirse al tercer corte. De esta manera conseguirá retirar la base de la rama.

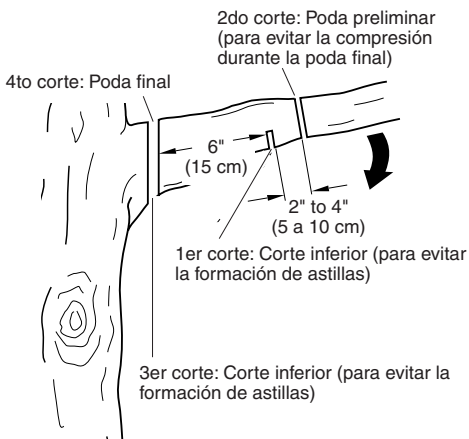


Figura 17 - Poda de una rama

## LIMPIEZA Y MANTENIMIENTO

**AVISO:** A continuación encontrará instrucciones para la realización de tareas de servicio en su sierra eléctrica. Toda tarea de servicio que no se encuentre incluida a continuación debe realizarse en un centro de servicios autorizado.

## LIMPIEZA DEL CABEZAL

**⚠ ADVERTENCIA:** Desenchufe la sierra eléctrica antes de realizar tareas de servicio en ella. Un shock eléctrico o el contacto de su cuerpo con la cadena en movimiento pueden provocarle graves lesiones y aun la muerte.

**⚠ ADVERTENCIA:** Los bordes de corte de la cadena son afilados. Utilice guantes de protección al manipular la cadena.

**⚠ ADVERTENCIA:** Al limpiar el cabezal,

- no sumerja la sierra en líquido alguno;
- no utilice productos que contengan amoníaco, cloro o elementos abrasivos;
- no utilice solventes limpiadores clorinados, tetracloruro de carbono, querosén o gasolina.

Mantenga el cabezal limpio. Utilice un paño suave humedecido con una mezcla de jabón suave y agua. Frote este paño sobre el cabezal para limpiarlo.

## CUIDADO DE LA BARRA DE GUÍA

La mayoría de los problemas de la barra de guía son producto de su desgaste desparejo. A menudo este desgaste se debe a errores en el afilado de los elementos de corte de la cadena y en los valores de medida de profundidad. Cuando la barra se desgasta de manera despareja, la ranura de la misma se ensancha (vea la Figura 18). Esto causa el matraqueo de la cadena y la rotura y expulsión de los remaches. La sierra no cortará en línea recta. Si esto ocurre, reemplace la barra de guía.

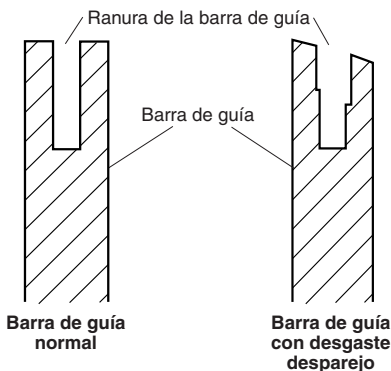


Figura 18 - Sección transversal de la barra de guía que ilustra el desgaste desparejo de la misma

Continúa

# USO DE LA SIERRA ELÉCTRICA

## (Continuación)

Inspeccione la barra de guía antes de afilar la cadena. Una barra de guía desgastada o dañada es insegura y daña la cadena. También dificulta la realización de cortes.

### Mantenimiento normal de la barra de guía

1. Retire la barra de guía de la sierra.
2. Retire el polvo y la tierra de la ranura de la barra de guía en forma periódica. Para ello, utilice una espátula o un alambre (vea la Figura 19).
3. Limpie las ranuras de aceite al final de cada día de uso de la sierra.
4. Retire la rebaba de los lados de la barra de guía. Utilice una escofina plana para encuadrar los bordes laterales.

Reemplace la barra de guía cuando

- se encuentre doblada o rasgada;
- la ranura interior de la barra esté sumamente desgastada;

**Nota:** Para reemplazar la barra de guía, lea la sección *Accesorios y piezas de repuesto* en la página 36 para adquirir la barra de guía correcta.

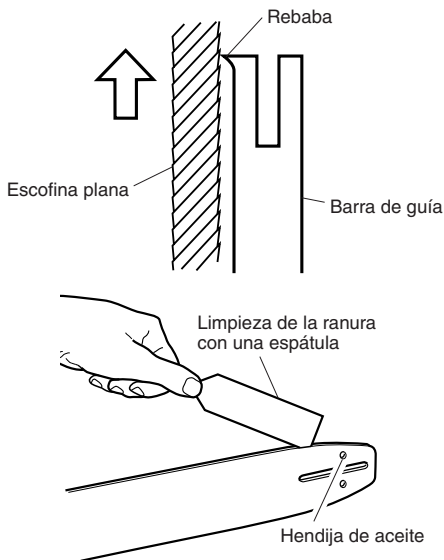


Figura 19 - Mantenimiento de la barra de guía

### AFILADO DE LA CADENA

**⚠ ADVERTENCIA:** Desenchufe la sierra antes de realizar tareas de servicio. Un shock eléctrico o el contacto de su cuerpo con la cadena en movimiento puede provocarle lesiones graves y aun la muerte.

**⚠ ADVERTENCIA:** Los bordes de corte de la cadena son afilados. Utilice guantes de protección al manipular la cadena.

Mantenga la cadena afilada. La sierra cortará de manera más rápida y segura. El uso de una cadena desafilada provocará el desgaste innecesario de la rueda dentada, la barra de guía y el motor. Si resulta necesario aplicar fuerza para introducir la cadena en la madera, y si al cortar sólo obtiene viruta y algunos trozos grandes, la cadena está desafilada.

### Elementos necesarios para afilar la cadena

Puede comprar estos elementos en su concesionario, ferretería o tienda de accesorios para sierras eléctricas cercanos.

- Escofina redonda de 5/32 pulgada
- Calibrador de medida de profundidad
- Guía de escofina
- Prensa
- Escofina plana de tamaño medio

### Afilado de los elementos de corte

Utilice la guía de escofina para limar a un ángulo de 30°.

1. Ajuste la tensión de la cadena hasta alcanzar la tensión adecuada (vea la sección *Ajuste de tensión de la cadena serrada* en las páginas 27 y 28).
2. Sujete la barra de guía en la prensa para mantener estable la sierra. **Nota:** No aplique la prensa a la cadena.
3. Introduzca la escofina redonda de 5/32 de pulgada (adherida a la guía de escofina) en la ranura entre la placa superior y la medida de profundidad de la cadena. La guía de escofina debe descansar tanto sobre la placa superior como sobre la medida de profundidad (vea la Figura 20, página 35). **Nota:** Al limar, hágalo en el punto medio de la barra de guía.
4. Sostenga la guía de escofina a nivel. Cerciórese de que la marca de 30° de la guía de escofina sea paralela al centro de la barra de guía (vea la Figura 20, página 35). Esto asegurará que el afilado de los elementos de corte se realice a un ángulo de 30°.
5. Lime desde adentro hacia afuera del elemento de corte hasta que quede afilado. Sólo aplique la escofina en esta dirección (vea la Figura 20, página 35). **Nota:** Bastarán dos o tres pasadas para afilar cada elemento de corte.

# USO DE LA SIERRA ELÉCTRICA

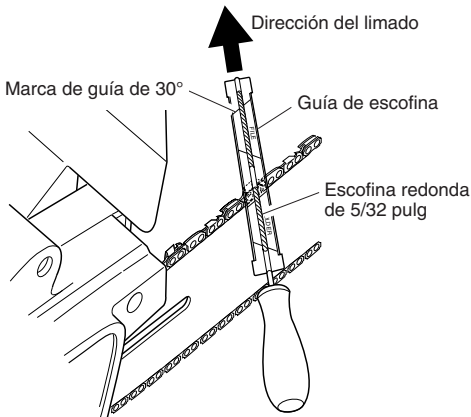
## (Continuación)

6. Luego de afilar cada elemento de corte, mueva la cadena hacia adelante para afilar el siguiente elemento. Afile todos los elementos de corte a un lado de la cadena.
7. Diríjase al otro lado de la cadena y repita el mismo proceso.

### Limado de los calibradores de medida de profundidad

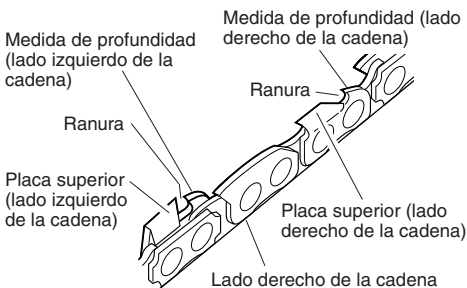
El espacio de la medida de profundidad del elemento de corte se reduce al afilar dichos elementos. Vuelva a establecer las medidas de profundidad de los elementos de corte cada dos o tres afiladas.

1. Coloque el calibrador de medida de profundidad (.635 mm) firmemente a lo largo de dos elementos de corte. Asegúrese de que la medida de profundidad penetra en la ranura del calibrador de la medida de profundidad (vea la Figura 22).



*Nota:* Esta figura ilustra la colocación de la guía de escofina y la dirección del limado para afilar los dientes del lado izquierdo de la cadena.

**Figura 20 - Colocación de la guía de escofina y de la escofina sobre la cadena**



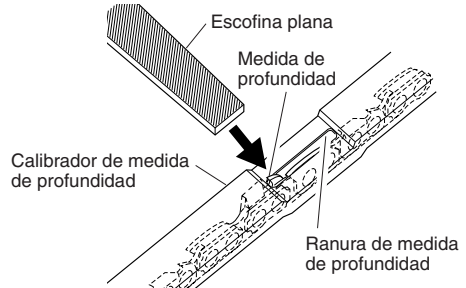
**Figura 21 - Posición de las partes de la cadena**

2. Utilice una escofina plana de tamaño medio. Lime el nivel de medida de profundidad con el calibrador de medida de profundidad.
3. Retire el calibrador de medida de profundidad. Utilice una escofina plana para redondear la esquina frontal de la medida de profundidad del elemento de corte (vea la Figura 23).

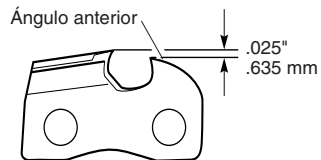
Después de afilar la cadena a mano en varias oportunidades, haga que un centro de servicios autorizado o una máquina de afilar afile la cadena. Esto asegurará que el limado quede parejo.

### RECAMBIO DE LA CADENA SERRADA

Reemplace la cadena cuando los elementos de corte se encuentren demasiado gastados para ser afilados o cuando se rompa la cadena. Utilice únicamente la cadena de repuesto indicada en este manual. Al reemplazar la cadena, cambie también la rueda dentada. De ese modo asegurará el correcto accionamiento de la cadena. *Nota:* Para saber cuál es la cadena y la rueda dentada adecuada a su modelo, consulte la sección *Accesorios y piezas de repuesto* en la página 36.



**Figura 22 - Calibrador de medida de profundidad en la cadena**



**Figura 23 - Redondeo del ángulo anterior de la medida de profundidad**

## ALMACENAMIENTO

Para almacenar la sierra durante más de 30 días, siga estos pasos:

1. Drene el tanque de aceite después de cada uso.
2. Retire y limpie la barra de guía y la cadena. Para ello, sumérgalas en un solvente a base de petróleo o en una mezcla de agua y jabón suave.
3. Seque la barra de guía y la cadena.
4. Coloque la cadena en un contenedor lleno de aceite. Esto impedirá que se oxide.
5. Cubra la superficie de la barra de guía con una fina lámina de aceite.
6. Limpie la parte externa del cabezal con un paño suave humedecido con una mezcla de agua y jabón suave.
7. Guarde la cadena serrada
  - en un sitio alto o bajo llave, fuera del alcance de niños;
  - en un sitio seco;
  - en un estuche o con la barra de guía cubierta por una funda.

## SERVICIO TÉCNICO

Usted puede tener más preguntas sobre cómo ensamblar, utilizar o mantener este producto. Si es así, usted puede visitar nuestro sitio Web de servicio técnico en [www.desatech.com](http://www.desatech.com) o llamar al departamento de servicio técnico al 1-800-858-8501 (sólo en inglés).

Usted puede también escribir a:

DESA Specialty Products™

ATTN: Technical Service Specialty Products


P.O. Box 90004

Bowling Green, KY 42102-9004

Cuando llame a DESA Specialty Products™ tenga listo:

- Su nombre
- Su dirección
- Su número de teléfono
- El número de modelo del producto
- Fecha de compra (incluya un copia del recibo para solicitudes por escrito).

## ACCESORIOS Y PIEZAS DE REPUESTO

 **ADVERTENCIA:** Utilice únicamente piezas y accesorios descritos en este manual. El uso de otras piezas o accesorios puede dañar la sierra o lesionar a su operario.

Para accesorios y piezas de repuesto originales llame al Distribuidor Autorizado o al Centro Autorizado de Servicio para este producto. Si ellos no tienen la pieza o accesorio, llame a la Central de Piezas más cercana a usted que se lista en la página 59. Cada Distribuidor Autorizado, Centro Autorizado de Servicio y Central de Piezas es y opera independientemente.

Vea las páginas 60 por 63 para una lista ilustrada de piezas.

Si necesita referencia adicional informativa, llame a nuestro departamento de servicio técnico (vea *Servicio Técnico*).

En el Canadá llame al 1-800-561-3372 para obtener información sobre las piezas.

## SERVICIO DE REPARACIÓN

*Nota:* Use sólo piezas de repuesto originales. Esto protegerá la cobertura de su garantía de las piezas repuestas bajo garantía.

Cada Centro Autorizado de Servicio es y opera independientemente.

## SERVICIO CON GARANTÍA

Si el producto necesita servicio bajo garantía, envíelo al centro de servicio autorizado más cercano a usted. Usted debe mostrar prueba de compra. Si el daño fue causado por materiales imperfectos o por mano de obra, repararemos o cambiaremos el producto sin cobrarle a usted. *Nota:* Esta garantía no cubre desgaste, mal uso, abuso, negligencia o daño accidental.

## SERVICIO SIN GARANTÍA

Si el producto necesita servicio, envíelo al centro de servicio autorizado más cercano a usted. Se le enviarán las facturas por reparación a los precios normales de reparación.

Para información adicional sobre centros de servicio o de garantía, llame al 1-800-858-8501 o visite nuestro sitio Web de servicio técnico en [www.desatech.com](http://www.desatech.com).

# DIAGNÓSTICO Y RESOLUCIÓN DE PROBLEMAS

*Nota:* Para obtener más ayuda, visite el sitio Web de servicio técnico DESA Specialty Products™, [www.desatech.com](http://www.desatech.com).

**⚠ ADVERTENCIA:** Desenchufe la sierra eléctrica antes de realizar tareas de servicio. Un shock eléctrico o el contacto corporal con la cadena en movimiento pueden provocar lesiones graves y aun la muerte.

FALLA OBSERVADA	CAUSA POSIBLE	SOLUCIÓN
La sierra funciona, pero no corta	La cadena se encuentra colocada sobre la barra de guía en sentido inverso	Vea <i>Ensamblaje</i> en la páginas 25 y 26
La sierra no corta a menos que se aplique gran fuerza sobre ella. Al cortar, sólo produce viruta y unas pocos trozos grandes	La cadena está desafilada	Vea <i>Afilado de la cadena</i> en la páginas 34 y 35
La sierra funciona lentamente y se atasca con facilidad	Bajo voltaje de entrada	El cable de prolongación es demasiado fino. Vea <i>Cables de prolongación</i> en la página 29
El motor de la sierra no funciona al oprimirse el gatillo	<ol style="list-style-type: none"> <li>1. No se ha empujado la traba de seguridad hacia adelante para liberar el gatillo</li> <li>2. Las conexiones del cable de prolongación están sueltas</li> <li>3. Fusible quemado o cortacorriente abierto</li> <li>4. Cepillos de motor gastados</li> <li>5. Circuito interrumpido en la sierra</li> </ol>	<ol style="list-style-type: none"> <li>1. Empuje la traba de seguridad hacia adelante antes de oprimir el gatillo</li> <li>2. Verifique las conexiones de los cables</li> <li>3. Verifique el cortacorriente o el fusible de línea</li> <li>4. Diríjase a un centro de servicios autorizado</li> <li>5. Diríjase a un centro de servicios autorizado</li> </ol>
El motor de la sierra funciona pero la cadena no se mueve	Fallo de transmisión	Diríjase a un centro de servicios autorizado
La cadena no recibe lubricación	<p><b><u>Todos los modelos</u></b></p> <ol style="list-style-type: none"> <li>1. Ranura de aceite obstruida en la barra de guía</li> <li>2. Aceite demasiado viscoso</li> </ol> <p><b><u>Modelos con aceitera automática</u></b></p> <ol style="list-style-type: none"> <li>1. Ventosa atascada en la tapa del aceite</li> <li>2. Filtro atascado en el tanque de aceite</li> <li>3. Bomba dañada; no use la sierra</li> </ol>	<ol style="list-style-type: none"> <li>1. Retire la barra de guía y limpie la ranura de aceite</li> <li>2. Utilice aceite de la viscosidad adecuada. Vea la sección <i>Lubricación</i> en la página 28</li> <li>1. Quite la tapa y limpie el agujero de la ventosa</li> <li>2. Quite el filtro del tanque de aceite y límpielo</li> <li>3. Vea el centro autorizado de servicio</li> </ol>
La cadena se sale de la barra de guía	<ol style="list-style-type: none"> <li>1. La cadena está suelta</li> <li>2. La barra guía y la cadena no están ensambladas correctamente</li> </ol>	<ol style="list-style-type: none"> <li>1. Ajuste la cadena. Vea la sección <i>Ajuste de tensión de la cadena serrada</i> en las páginas 27 y 28</li> <li>2. Vea <i>Ensamblaje</i> en la página 25 y 26</li> </ol>
La sierra despidе humo	Sierra dañada. No utilizarla	Diríjase a un centro de servicios autorizado
La sierra pierde aceite	La tapa del tanque de aceite bien cerrada	Ajuste la tapa del tanque de aceite. <b><i>Nota:</i></b> Vacíe el tanque de aceite cuando no utilice la sierra

# INFORMACIÓN DE GARANTÍA

Modelo \_\_\_\_\_

Fecha de compra \_\_\_\_\_

## GARANTÍA LIMITADA DE SIERRA ELÉCTRICA

Especifique siempre el número de modelo y el número de serie al escribir a la fábrica.

DESA Specialty Products™ se reserva el derecho de enmendar estas especificaciones en cualquier momento sin previo aviso. La única garantía aplicable es nuestra garantía estándar escrita. No ofrecemos ninguna otra garantía expresa o implícita.

DESA Specialty Products™ garantiza que esta sierra eléctrica y todas las partes de la misma no presentan defectos en sus materiales ni en su fabricación durante un año (90 días para productos recondicionados) a partir de la fecha de primera compra en un concesionario autorizado, siempre y cuando el producto haya sido utilizado y mantenido debidamente de conformidad con todas las instrucciones aplicables. Al realizarse un reclamo según la garantía debe presentarse la factura o el comprobante de compra.

Esta garantía se extiende solamente al comprador original. Sólo cubre las piezas y la mano de obra necesarias para que la sierra quede en condiciones de funcionamiento adecuadas. Las piezas bajo garantía deben obtenerse por medio de concesionarios autorizados por la fábrica y centros de servicio para este producto. Estos concesionarios y centros de servicio le proveerán de piezas de repuesto originales de fábrica. El uso de piezas de repuesto que no sean originales de fábrica anulan la validez de esta garantía.

Esta garantía no cubre el uso comercial, industrial ni el alquiler de la sierra, ni se aplica a las piezas que no se encuentren en condiciones originales debido al desgaste normal o a las piezas que fallan o se vuelven defectuosas como consecuencia del uso indebido, accidentes, falta de mantenimiento adecuado, modificación o alteración indebida. Los costos de traslado, embalaje, transporte y otros costos incidentales relacionados con las reparaciones según la garantía no son reembolsables según la misma y son responsabilidad del propietario de la sierra.

En la medida en que lo permita la ley de la jurisdicción que rige la venta del producto, esta garantía expresa excluye toda otra garantía expresada y limita la duración de toda garantía implícita, inclusive las garantías de comerciabilidad y adecuación para un propósito particular, a un año a partir de la fecha de primera compra y la responsabilidad de DESA Specialty Products™ queda limitada por la presente al precio de compra del producto; DESA Specialty Products™ no será responsable de ningún otro daño, inclusive los daños indirectos, incidentales o de consecuencia.

Algunos estados estadounidenses no permiten limitar la duración de una garantía implícita o excluir o limitar los daños incidentales o de consecuencia, de modo que es posible que la limitación de daños arriba enunciada no se aplique a su caso.

Esta garantía brinda derechos originales al comprador original. Para obtener información sobre estos derechos, consulte las leyes aplicables del estado.



P.O. Box 90004  
Bowling Green, KY 42102-9004  
U.S.A.  
800-858-8501 (sólo en inglés)  
www.desatech.com

**DESA**  
Industries of Canada, Inc.  
2220 Argentia Road  
Unit #4  
Mississauga, Ontario  
L5N 2K7  
905-826-8010  
FAX 905-826-8236  
www.desatech.com

# REMINGTON®

## TRONÇONNEUSE ÉLEC- TRIQUE PRIME

### MANUEL D'UTILISATION ET D'ENTRETIEN



MODÈLES EL-8: 107624-01, 107624-02, 107625-01, 107625-02, 111174-01

**IMPORTANT:** Il est recommandé de lire et comprendre ce manuel avant d'assembler cette tronçonneuse et de l'utiliser. L'utilisation incorrecte de la tronçonneuse risque d'entraîner des blessures graves. Conserver ce manuel pour pouvoir s'y référer ultérieurement.



# Contenus

<b>CONSIGNES DE SÉCURITÉ IMPORTANTES</b> .....	<b>41</b>
Avant d'utiliser la tronçonneuse .....	41
Pendant l'utilisation de la tronçonneuse .....	41
Recul .....	42
Entretien et remisage de la tronçonneuse .....	43
<b>IDENTIFICATION DU PRODUIT</b> .....	<b>44</b>
<b>DÉBALLAGE</b> .....	<b>44</b>
<b>VOCABULAIRE DE LA TRONÇONNEUSE</b> .....	<b>45</b>
<b>MONTAGE</b> .....	<b>45</b>
<b>RÉGLAGE DE LA TENSION DE LA CHAÎNE</b> .....	<b>47</b>
<b>UTILISATION DE LA TRONÇONNEUSE</b> .....	<b>48</b>
Remplissage du réservoir d'huile .....	48
Lubrification de la chaîne .....	48
Rallonges électriques .....	49
Sciage avec la tronçonneuse .....	49
Abattage d'un arbre .....	50
Ébranchage .....	51
Tronçonnage d'une bille .....	52
Taille d'un arbre (Élagage) .....	53
<b>NETTOYAGE ET ENTRETIEN</b> .....	<b>53</b>
Nettoyage du carter de tronçonneuse .....	53
<b>NETTOYAGE ET ENTRETIEN</b> .....	<b>54</b>
Entretien de la guide-chaîne .....	54
Affûtage de la chaîne .....	54
<b>NETTOYAGE ET ENTRETIEN</b> .....	<b>55</b>
Remplacement de la chaîne .....	55
<b>REMISAGE</b> .....	<b>56</b>
<b>SERVICE TECHNIQUE</b> .....	<b>56</b>
<b>PIÈCES DE RECHANGE ET ACCESSOIRES</b> .....	<b>56</b>
<b>SERVICE DE RÉPARATION</b> .....	<b>56</b>
Service sous garantie .....	56
Service hors garantie .....	56
<b>DÉPANNAGE</b> .....	<b>57</b>
<b>INFORMATION SUR LA GARANTIE</b> .....	<b>58</b>
<b>PARTS CENTRAL/CENTRAL DE PIEZAS/DÉPÔT DE PIÈCES</b> .....	<b>59</b>
<b>ILLUSTRATED PARTS BREAKDOWN/DESGLOSE ILUSTRADO DE PARTES/SCHÉMA DES PIÈCES</b> .....	<b>60</b>
Models/Modelos/Modèles 107624-01 & 107624-02 .....	60
<b>ILLUSTRATED PARTS BREAKDOWN/DESGLOSE ILUSTRADO DE PARTES/SCHÉMA DES PIÈCES</b> .....	<b>62</b>
Models/Modelos/Modèles 107625-01, 107625-02, & 111174-01 .....	62



# CONSIGNES DE SÉCURITÉ IMPORTANTES



**AVERTISSEMENT : lorsque vous utilisez une scie à chaîne électrique, vous devez toujours suivre les précautions de sécurité de base pour réduire les risques d'incendie, de choc électrique et de blessures aux personnes, y compris ce qui suit :**

**LISEZ TOUTES LES INSTRUCTIONS**  
**S'assurer d'avoir lu et compris toutes les directives de la rubrique *Consignes de sécurité importantes* aux pages 41 par 44. L'utilisation incorrecte de cette tronçonneuse peut entraîner des blessures graves ou la mort, résultant d'un incendie, de chocs électriques, d'un contact du corps avec la chaîne en mouvement ou de la chute de bois.**

## AVANT D'UTILISER LA TRONÇONNEUSE

1. Avant d'utiliser la tronçonneuse, lire et comprendre ce manuel d'utilisation et d'entretien.
2. Regardez ce que vous faites. Faites preuve de bon sens. N'utilisez pas la tronçonneuse lorsque vous êtes fatigué.
3. Utiliser uniquement la tronçonneuse pour couper du bois. Ne pas utiliser la tronçonneuse à des fins pour lesquelles elle n'a pas été prévue. Ne pas l'utiliser pour couper du plastique, du béton, etc.
4. La tronçonneuse ne doit être utilisée que par des adultes qui ont appris comment s'en servir. Ne jamais laisser des enfants s'en servir.
5. Utiliser uniquement la tension de courant électrique indiquée sur la plaque signalétique de la tronçonneuse.
6. Utiliser uniquement des rallonges électriques spécifiées pour l'usage à l'extérieur. Se reporter à la page 49 pour les conditions requises.
7. Ne pas utiliser la tronçonneuse :
  - lorsqu'on est sous l'influence d'alcool, de médicaments ou de drogues,
  - sous la pluie, dans les endroits humides ou mouillés,
  - là où se trouvent des liquides ou gaz très inflammables,
  - si elle est abîmée, mal réglée ou incomplètement assemblée,
  - si la gâchette ne commande pas la mise en marche et l'arrêt ; la chaîne doit s'immobiliser dès qu'on lâche la gâchette ; faire remplacer

- l'interrupteur défectueux par un réparateur agréé (Voir *Service Technique*, page 56) ;
  - lorsqu'on est pressé
  - quand on se trouve sur un arbre ou une échelle, à moins d'avoir été formé spécialement.
8. Lors de l'utilisation de la tronçonneuse, porter des vêtements ajustés ; ne pas porter de vêtements amples ni de bijoux qui pourraient se prendre dans la chaîne en mouvement.
  9. Lors de l'utilisation de la tronçonneuse, porter l'équipement de sécurité suivant :
    - gants renforcés (gants en caoutchouc si l'on travaille dehors),
    - chaussures de sécurité à bout acier avec semelles antidérapantes,
    - protection des yeux telle que lunettes de sécurité, lunettes-masque, ou masque,
    - casque de sécurité,
    - serre-tête antibruit ou bouchons d'oreilles,
    - coiffe antiscaalp pour retenir les cheveux longs,
    - masque ou masque antipoussières (si l'on travaille dans une atmosphère poussiéreuse).
  10. Avant de couper, toujours prévoir les éléments suivants :
    - une zone de travail dégagée,
    - un équilibre stable,
    - un chemin de dégagement pour s'écarter de l'arbre qui tombe.
  11. Inspecter l'arbre avant de l'abattre. S'assurer qu'il n'y a pas de branches mortes qui pourraient tomber sur l'utilisateur.
  12. Pour réduire le risque de choc électrique, cette tronçonneuse a une fiche polarisée (une lame est plus large que l'autre). Cette fiche ne peut s'insérer dans une prise polarisée que dans un sens. Si la fiche ne s'insère pas complètement dans la prise de la rallonge électrique, retourner la fiche. Si elle ne s'insère toujours pas, une rallonge électrique polarisée sera nécessaire. Ne modifier en aucune manière la fiche.

## PENDANT L'UTILISATION DE LA TRONÇONNEUSE

1. Rester vigilant. Faire preuve de bon sens pendant l'utilisation de la tronçonneuse.
2. Maintenir la zone de travail propre. Les endroits encombrés sont favorables aux accidents.
3. Surveiller la rallonge électrique pendant l'utilisation de la tronçonneuse. Faire attention de ne pas trébucher dessous. Maintenir en permanence le cordon à l'écart de la chaîne et de l'opérateur.
4. Maintenir enfants, animaux et toutes personnes présentes à l'écart de la tronçonneuse et de la rallonge électrique. L'utilisateur seul doit se trouver dans la zone de travail.
5. N'abattre un arbre que si l'on a été formé ou si l'on dispose d'assistance expérimentée.

À suivre

# CONSIGNES DE SÉCURITÉ IMPORTANTES

## Suite

- Si deux ou plusieurs personnes participent aux travaux de tronçonnage et d'abattage en même temps, prévoir un espace suffisant entre les différentes opérations. Il faut une distance au moins égale à deux fois la hauteur de l'arbre à abattre.
- Fixer le bois que l'on est en train de couper à l'aide de colliers ou crampons.
- Saisir la tronçonneuse fermement des deux mains. Ne jamais la tenir d'une seule main pendant son fonctionnement. Ne jamais se servir de l'écran de protection de la main comme d'une poignée.
- Ne mettre le doigt sur la gâchette que lorsqu'on est prêt à entailler.
- Avant de mettre l'outil en marche, s'assurer que la chaîne ne touche rien.
- Pour prévenir les chocs électriques, éviter tout contact du corps avec des objets reliés à la terre, tels que des conduites, des clôtures et des poteaux métalliques.
- Lorsque l'outil est en marche, n'approcher de la chaîne aucune partie du corps.
- Ne pas forcer sur la tronçonneuse pendant la coupe. N'appliquer qu'une pression légère. Elle fonctionnera de façon plus efficace et plus sûre à la vitesse pour laquelle elle a été prévue.
- Couper la broussaille peu épaisse et les jeunes pousses avec grandes précautions car ces matériaux légers peuvent se prendre dans la chaîne et être projetés vers l'utilisateur. Dans ce cas, il risque aussi de perdre l'équilibre.
- Quand on coupe une branche ou un tronc d'arbre sous tension, faire également très attention. Le bois fait ressort : quand la tension disparaît, la branche projetée risque de heurter l'utilisateur, entraînant des blessures graves ou la mort.
- Pour transporter la tronçonneuse d'un endroit à un autre :
  - arrêter et débrancher la tronçonneuse ;
  - tenir l'outil par la poignée avant (jamais par l'écran de protection avant de la main) ;
  - ne pas laisser le doigt sur la gâchette ;
  - placer la guide-chaîne et la chaîne vers l'arrière.

**AVERTISSEMENT : Ce produit contient des produits chimiques qui, selon l'état de la Californie, serait à l'origine de cas de cancer, d'anomalie congénitale et de problème de la reproduction.**

**AVERTISSEMENT :** Certaines poussières produites par les opérations de ponçage mécanique, de sciage, de meulage, de perçage et d'autres activités liées à la construction contiennent des produits chimiques connus (par l'État de la Californie) comme pouvant provoquer le cancer, des malformations congénitales ou d'autres effets nocifs à l'égard des fonctions de la reproduction. Quelques exemples de tels produits chimiques :

- le plomb contenu dans les peintures à base de plomb ;
- la silice cristalline contenue dans les briques, le ciment et d'autres produits de maçonnerie ;
- l'arsenic et le chrome contenus dans le bois de construction traité chimiquement.

La susceptibilité à ces risques d'exposition varie suivant la fréquence avec laquelle vous faites ce type de travail. Pour réduire votre exposition à ces produits chimiques : ne travaillez que dans des aires bien ventilées et en portant des équipements de sécurité homologués, comme les masques antipoussières conçus spécialement pour retenir les particules microscopiques.

## RECU

**AVERTISSEMENT :** Un recul peut se produire lorsque le nez ou le bout de la guide-chaîne touche un objet ou lorsque le bois se resserre et pince la chaîne de la tronçonneuse dans la coupe. Dans certains cas, un contact du bout peut provoquer une réaction inverse extrêmement rapide, propulsant la guide-chaîne vers le haut et vers l'arrière en direction de l'opérateur. Un pincement de la chaîne de la tronçonneuse le long de la partie supérieure de la guide-chaîne peut repousser rapidement la guide-chaîne vers l'opérateur. Ces réactions peuvent toutes deux provoquer une perte de contrôle de la tronçonneuse pouvant entraîner des blessures graves pour l'utilisateur.

# CONSIGNES DE SÉCURITÉ IMPORTANTES

## Suite

### Dispositifs de protection contre le recul sur cette tronçonneuse

Cette tronçonneuse est munie d'une chaîne à faible recul et d'une guide-chaîne à recul réduit. Ces deux éléments réduisent le risque de recul. Cependant, celui-ci peut encore se produire.

Suivre les instructions de montage qui se trouvent à la pages 45 et 46. Ne pas enlever l'écran de protection avant de la main. Ne pas remplacer l'écran de protection avant de la main par un autre dispositif.

On peut prendre les mesures suivantes pour réduire le risque de recul :

- Se servir des deux mains pour tenir la tronçonneuse pendant son fonctionnement. Tenir l'outil d'une poigne ferme. Les pouces et les doigts doivent envelopper les poignées.
- Tous les dispositifs de sécurité doivent être maintenus en place sur la tronçonneuse. S'assurer qu'ils fonctionnent correctement.
- Ne pas essayer d'atteindre trop loin ni de couper au-dessus de la hauteur de l'épaule.
- Garder en permanence un solide appui au sol et un bon équilibre.
- Se tenir légèrement à gauche de l'outil. Le corps n'est pas ainsi en prolongement direct de la chaîne.
- Ne pas laisser le nez de la guide-chaîne toucher quelque chose quand la chaîne est en mouvement. (Voir la Figure 1.)

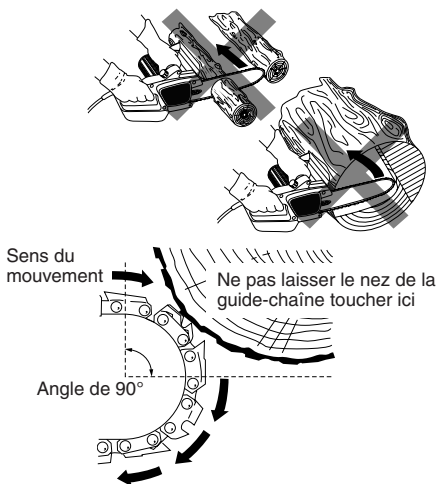
- Ne jamais essayer de couper deux billes en même temps. En couper seulement une à la fois.
- Ne pas enfouir le nez de la guide-chaîne ni essayer de couper en plongeant (faire un trou dans le bois en enfonçant le nez de la guide-chaîne).
- Surveiller le mouvement du bois ou les autres forces qui pourraient pincer la chaîne.
- Faire très attention quand on repénètre dans une entaille.
- Utiliser la chaîne à faible recul et la guide-chaîne fournies avec cette tronçonneuse. Remplacer ces pièces uniquement par les chaînes et lames-guides spécifiées dans ce manuel.
- Ne jamais utiliser une chaîne émoussée ou détendue. Maintenir la chaîne affûtée et tendue correctement.

### Entretien de la tronçonneuse et protection contre le recul

Suivre les instructions d'entretien figurant dans ce manuel. Les risques de recul peuvent être réduits par le nettoyage et l'entretien adéquats de l'outil, de la chaîne, de la guide-chaîne. Après chaque utilisation, inspecter la tronçonneuse et l'entretenir. Ceci prolonge sa durée en service. *Note* : Même si la chaîne est affûtée correctement, le risque de recul peut augmenter à chaque affûtage.

### ENTRETIEN ET REMISAGE DE LA TRONÇONNEUSE

1. Débrancher le cordon de la prise de courant :
  - quand on n'utilise pas la tronçonneuse,
  - avant de la déplacer d'un endroit à un autre,
  - avant de procéder à son entretien,
  - avant de changer des accessoires, tels que la chaîne et l'écran de protection de la tronçonneuse.
2. Inspecter la tronçonneuse avant et après chaque utilisation. Bien contrôler l'outil si une protection ou une pièce quelconque a été endommagée. Bien vérifier pour déceler tout dégât pouvant affecter la sécurité de l'utilisateur ou le fonctionnement de l'outil. Vérifier que les pièces mobiles sont bien alignées et ne sont pas coincées. Vérifier qu'il n'y a pas de pièces cassées ou endommagées. Ne pas utiliser la tronçonneuse si les dégâts affectent la sécurité ou son fonctionnement. Faire remettre l'outil en état par un réparateur agréé.
3. Se servir de l'outil avec précaution :
  - Ne jamais l'exposer à la pluie.
  - Garder la chaîne affûtée, propre et lubrifiée pour améliorer le rendement et la sécurité.
  - Suivre la procédure décrite dans ce manuel pour l'affûtage de la chaîne.
  - Garder les poignées sèches, propres et sans traces d'huile ou de graisse.



**Figure 1 - Exemple du risque de recul. Ne pas laisser le nez de la guide-chaîne toucher un objet pendant que la chaîne est en mouvement.**

# CONSIGNES DE SÉCURITÉ IMPORTANTES

## Suite

- Garder vis et écrous bien serrés.
  - Inspecter souvent le cordon d'alimentation électrique. S'il est abîmé, le faire remettre en état par un réparateur agréé.
  - Ne jamais transporter la tronçonneuse en la tenant par le cordon d'alimentation électrique.
  - Ne jamais tirer sur le cordon pour débrancher la fiche de la prise de courant.
  - Tenir le cordon à l'écart de la chaleur, de l'huile et des bords coupants.
  - Inspecter souvent les rallonges et les remplacer si elles sont abîmées.
4. Pour la réparation, utiliser uniquement des pièces de rechange identiques.

5. Lorsqu'on ne s'en sert pas, toujours ranger la tronçonneuse
- dans un endroit en hauteur ou verrouillé, hors de la portée des enfants,
  - dans un endroit sec,
  - dans une malette de transport ou avec un fourreau recouvrant la guide-chaîne.

**Conserv**er ces directives. C'est un guide pour l'utilisation sécuritaire et correcte de la tronçonneuse.

## DÉBALLAGE

1. Sortir du carton toutes les pièces.
2. Vérifier tous les articles pour vous assurer qu'ils n'ont pas été endommagés lors de l'expédition. Si vous trouvez des dommages ou s'il manque des pièces, contactez les services techniques au 1 800 858-8501 pour obtenir rapidement une réponse.

## IDENTIFICATION DU PRODUIT

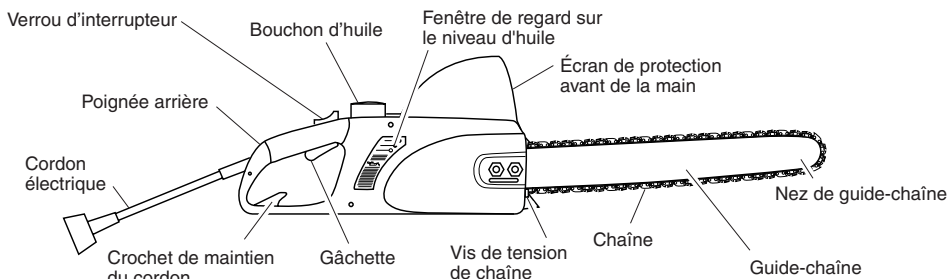


Figure 2 - Tronçonneuse électrique Modèle 107624-01, -02

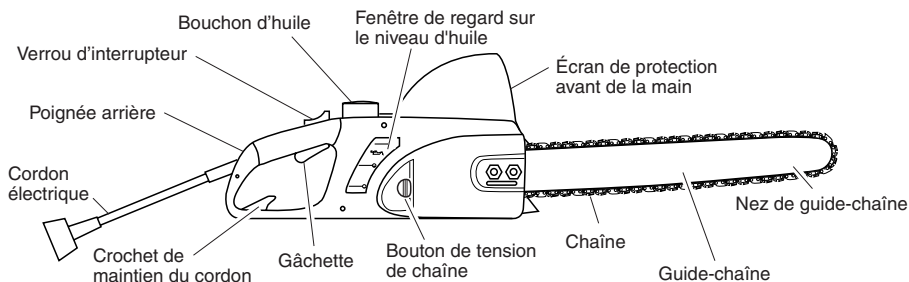


Figure 3 - Tronçonneuse électrique Modèle 107625-01, -02, 111174-01

# VOCABULAIRE DE LA TRONÇONNEUSE

**Abattage** Coupe d'un arbre.

**Cale** Bloc ou coin servant à empêcher le bois de bouger.

**Chaîne** Boucle de chaîne ayant des dents tranchantes pour couper le bois. C'est le moteur qui entraîne la chaîne. La guide-chaîne soutient la chaîne.

**Chaîne à faible recul** Chaîne qui réduit le risque de recul selon la norme CSA Z62.3.

**Coupe d'abattage** Coupe finale pour l'abattage d'un arbre. Faire cette entaille du côté opposé au sifflet.

**Chaîne de rechange** Chaîne conforme à la norme CSA Z62.3 quand elle est utilisée avec une tronçonneuse spécifique. Il se peut qu'elle ne soit pas conforme aux exigences CSA quand elle est utilisée avec d'autres tronçonneuses.

**Dispositif de lubrification** Système de lubrification de la guide-chaîne et de la chaîne.

**Ébranchage** Coupe des branches d'un arbre abattu.

**Écran de protection avant de la main** Protection située entre la poignée avant et la guide-chaîne. Protège la main gauche pendant l'utilisation de la tronçonneuse.

**Entaille par le dessous** Entaille effectuée vers le haut à partir du dessous d'une bille ou d'une branche. Ceci se fait en position normale de coupe et en coupant avec le haut de la guide-chaîne.

**Gâchette** Dispositif qui met en marche et arrête la tronçonneuse. Quand on appuie sur la gâchette, la tronçonneuse se met en marche. Elle s'arrête quand on lâche la gâchette.

**Groupe moteur** Tronçonneuse sans chaîne ni guide-chaîne. Aussi nommé carter.

**Interrupteur** Dispositif qui ferme ou ouvre le circuit électrique du moteur de la tronçonneuse.

**Guide-chaîne à recul réduit** Guide-chaîne qui réduit le risque de recul.

**Guide-chaîne** Lame métallique qui prolonge le carter de la tronçonneuse. La guide-chaîne soutient et guide la chaîne.

**Nez de guide-chaîne** Bout ou extrémité de la guide-chaîne.

**Pignon** Roue dentée qui entraîne la chaîne.

**Poignée arrière** Poignée située à l'arrière du carter.

**Poignée avant** Située à l'avant du carter de la tronçonneuse.

**Pointe pare-chocs** Dent pointue située à l'avant du carter, à côté de la guide-chaîne. Garder la pointe pare-chocs contre le bois lors de l'abattage ou du tronçonnage. Elle facilite le maintien de la position de la tronçonneuse pendant la coupe.

**Position normale de coupe** Position à tenir pendant le tronçonnage et l'abattage.

**Poussée (recul, pincement)** Poussée brusque en arrière de la tronçonneuse. Peut se produire si la partie de la chaîne sur le haut de la guide-chaîne est pincée, prise ou touche un objet étranger.

**Recul** Mouvement brusque vers l'arrière et vers le haut de la guide-chaîne. Le recul peut se produire quand le bout de la guide-chaîne touche un objet pendant le mouvement de la chaîne. La guide-chaîne fait alors un mouvement brusque vers le haut et vers l'arrière, en direction de l'utilisateur.

**Sifflet** Entaille en forme d'encoche faite dans un arbre qui dirige sa chute.

**Taille (élagage)** Coupe des branches d'un arbre sur pied.

**Tringlerie d'interrupteur** Ce dispositif relie l'interrupteur à la gâchette. Il déplace l'interrupteur quand on appuie sur la gâchette.

**Tronçonnage** Coupe d'un arbre abattu ou d'une bille en tronçons.

**Verrou d'interrupteur** Dispositif qui réduit le risque de mise en marche involontaire de la tronçonneuse.

## MONTAGE

*Note* : Sur les modèles pré-assemblés, Voir *Réglage de la tension de la chaîne*, à la page 36.



**AVERTISSEMENT : Les dents de la chaîne sont coupantes. Porter des gants protecteurs pour manipuler la chaîne.**

**IMPORTANT : Ne pas pincer la scie dans un étau durant le montage.**

1. Déposer la chaîne à plat.
2. Desserrer et retirer les écrous du guide-chaîne et le carter du pignon.
3. Desserrez et retirez la vis du pignon d'entraînement ou l'agrafe en E de l'arbre (Voir la Figure 4, page 46). Retirez le support du pignon.
4. Installer le guide-chaîne dans le corps de la tronçonneuse. Assembler la fente centrale du guide-chaîne sur les boulons du guide-chaîne.
5. Pour remplacer le support du pignon, répétez l'étape 3, mais dans l'ordre inversé. Serrez solidement la vis du pignon d'entraînement au moyen d'un tournevis Phillips n° 2 (au besoin).
6. Placer la chaîne autour du pignon d'entraînement, ensuite le long de la rainure supérieure du guide-chaîne et autour du nez du guide-chaîne. *Note* : S'assurer que la face tranchante des maillons de la chaîne soit placée dans la bonne direction. Placer la chaîne de façon à ce que la face coupante des maillons sur le secteur supérieur du guide-chaîne soit dirigée vers le nez du guide-chaîne (Voir la Figure 4, page 46, et le voyant sur le capot latéral de la tronçonneuse).

À suivre

# MONTAGE

## Suite

**⚠ AVERTISSEMENT : Ne pas placer la chaîne à l'envers sur la scie. Si la chaîne est placée à l'envers, la scie vibre fortement et ne coupe pas.**

- Insérer la languette du carter du pignon dans la fente du capot latéral et tourner le carter du pignon sur les boulons du guide-chaîne jusqu'à ce que le carter du pignon repose sur le guide-chaîne.
- Placer les écrous de guide-chaîne, retirés lors de l'étape 2, sur les boulons du guide-chaîne.  
**IMPORTANT** : Serrer uniquement à la main les écrous de guide-chaîne.
- Tout en tournant le bouton de tension de chaîne (Modèle 107625-01,-02, 111174-01) ou la vis de tension de chaîne (Modèle 107624-01,-02), ajustez la position du bloc d'ajustement jusqu'à ce qu'il soit aligné et inséré dans le trou d'ajustement sur la barre de guidage (Voir les Figures 4, 5 et 6). Le fait de tourner le bouton de tension de chaîne ou la vis de tension de chaîne dans le sens des aiguilles d'une montre déplacera le bloc d'ajustement vers l'arrière de la barre de guidage. Le fait de tourner le bouton de tension de chaîne dans le sens des aiguilles d'une montre déplacera le bloc d'ajustement à l'avant de la barre de guidage.
- Si besoin, régler les écrous de guide-chaîne en les serrant uniquement à la main.
- Régler la tension de la chaîne de scie. Suivre les étapes énoncées au paragraphe intitulé *Réglage de la tension de la chaîne* aux pages 47 et 48.

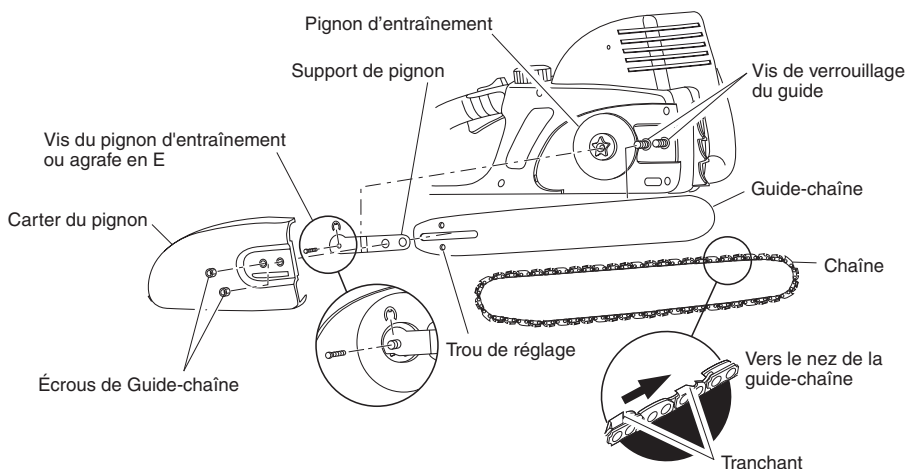


Figure 4 - Montage de la guide-chaîne et de la chaîne

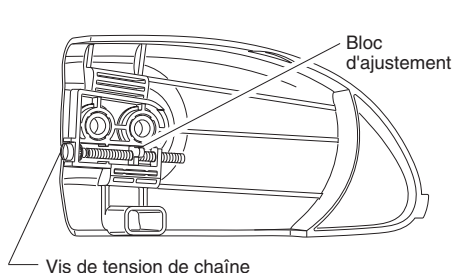


Figure 5 - Tournez la vis de tension de chaîne sur les modèles 107624-01 et -02

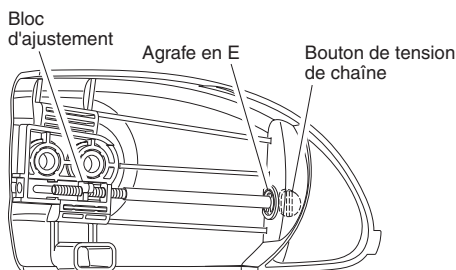


Figure 6 - Tournez la vis de tension de chaîne sur les modèles 107625-01 et -02, et 111174-01

# RÉGLAGE DE LA TENSION DE LA CHAÎNE DE LA CHAÎNE

**⚠ AVERTISSEMENT :** Avant de régler la tension de la chaîne, débrancher le cordon de la prise de courant.

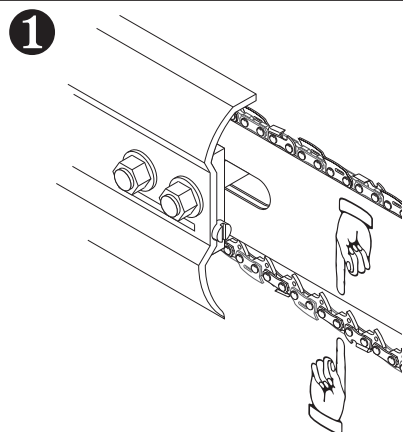
**⚠ AVERTISSEMENT :** Les tranchants de la chaîne sont affûtés. Porter des gants de protection pour manipuler la chaîne.

**⚠ AVERTISSEMENT :** Toujours maintenir la chaîne tendue correctement. Une chaîne détendue augmente le risque de recul. De plus, elle risque de sauter hors de la rainure de la guide-chaîne. Ceci pourrait blesser l'utilisateur et endommager la chaîne. En outre, une chaîne détendue provoque l'usure rapide de la chaîne, de la guide-chaîne et du pignon.

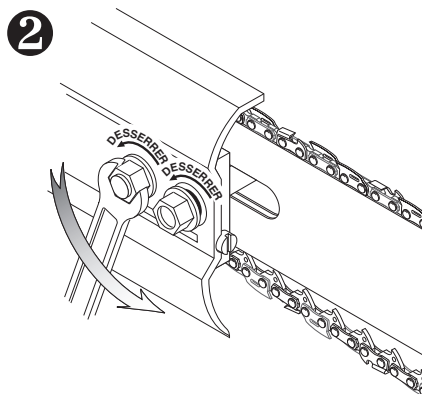
## IMPORTANT

Si vous ne respectez pas ces directives au moment d'augmenter la tension de la chaîne, vous risquez d'endommager la scie et d'annuler du même coup la garantie. Pour plus de détails, faites le 1 800 858-8501.

Les nouvelles chaînes ont tendance à s'étirer. Vérifiez fréquemment la tension de la chaîne les premières fois que vous vous en servez; resserrez la chaîne lorsqu'elle semble lâche au niveau du guide-chaîne.

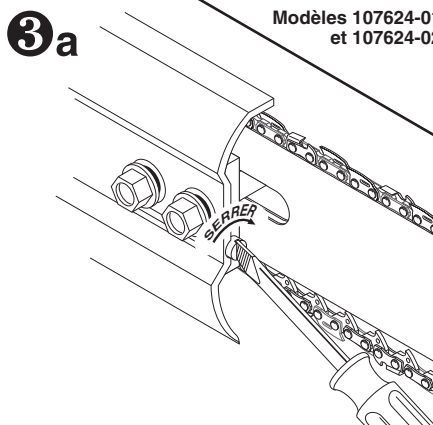


Si la chaîne devient lâche au niveau du guide-chaîne, laissez-la d'abord refroidir, puis...



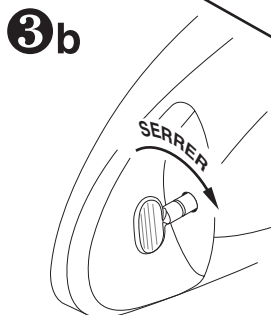
Desserrez les deux écrous...

Modèles 107624-01 et 107624-02



Tournez la vis de tension de chaîne dans le sens des aiguilles d'une montre pour tendre la chaîne ou...

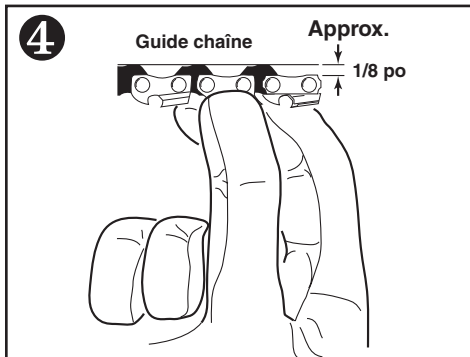
Modèles 107625-01, 107625-02 et 111174-01



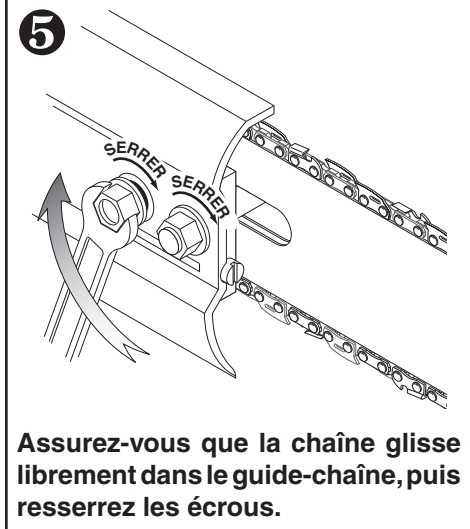
Tournez le bouton de tension de la chaîne dans le sens des aiguilles d'une montre pour tendre la scie à chaîne....

# RÉGLAGE DE LA TENSION DE LA CHAÎNE

Suite



Tirez sur la chaîne pour en vérifier la tension. Les guides ne devraient pas sortir de l'encoche du guide-chaîne...



# UTILISATION DE LA TRONÇONNEUSE

**⚠ AVERTISSEMENT :** Il est recommandé de lire et comprendre ce manuel avant d'utiliser cette tronçonneuse. S'assurer d'avoir lu et compris toutes les directives de la rubrique *Consignes de sécurité importantes* aux pages 41 par 44. L'utilisation incorrecte de cette tronçonneuse peut entraîner des blessures graves ou la mort, résultant d'un incendie, de chocs électriques, d'un contact du corps avec la chaîne en mouvement ou de la chute de bois.

## REMPLISSAGE DU RÉSERVOIR D'HUILE

1. Enlever le bouchon d'huile.
2. Remplir le réservoir d'huile avec de l'huile moteur SAE#30.  
*Note :* Pour les températures inférieures à -1°C (30°F), utiliser de l'huile SAE#10. Pour les températures supérieures à 24°C (75°F), utiliser de l'huile SAE#40.
3. Remettre le bouchon d'huile immédiatement en place. Bien le visser pour qu'il soit étanche. Ceci évite les fuites d'huile.
4. Essuyer l'excédent d'huile.

*Note :* Il est normal que l'huile suinte lorsque la tronçonneuse n'est pas utilisée. Vider le réservoir d'huile, visser le bouchon et ranger la scie à l'envers après chaque usage pour empêcher l'huile de suinter.

## LUBRIFICATION DE LA CHAÎNE

### Système de lubrification manuel

Vérifier toujours le niveau d'huile avant d'utiliser la tronçonneuse. Ne pas essayer d'utiliser le système de lubrification pendant que la tronçonneuse est en marche. Pour lubrifier la chaîne, appuyez sur la poire. De l'huile se propage sur la guide-chaîne et la chaîne. Appuyez sur la poire au moins une fois avant chaque coupe. Vérifier souvent le niveau d'huile à l'aide de la fenêtre de regard sur le niveau d'huile (Voir la Figure 7).

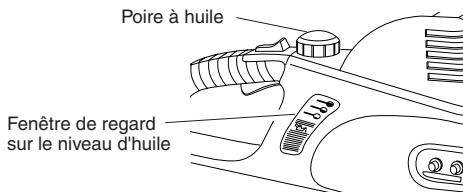


Figure 7 - Emplacement de la poire à huile et de la fenêtre de regard sur le niveau d'huile pour le modèle 107624-01, -02

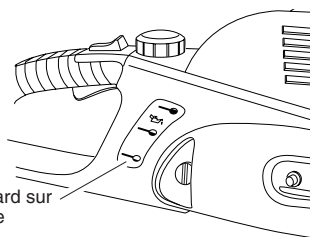


# UTILISATION DE LA TRONÇONNEUSE

## Suite

### Système de lubrification automatique

La tronçonneuse modèle 107625-01, -02, 111174-01 est équipée d'un système de lubrification automatique. Il fournit une lubrification adéquate à la guide-chaîne et à la chaîne de la tronçonneuse. Vérifier le niveau d'huile toutes les 15 minutes lors d'une coupe. Le niveau d'huile est visible dans la fenêtre de regard sur le niveau d'huile (Voir la Figure 8).



Fenêtre de regard sur le niveau d'huile

**Figure 8 - Emplacement de la fenêtre de regard sur le niveau d'huile pour le modèle 107625-01, -02, 111174-01**

### RALLONGES ÉLECTRIQUES

Avec cette tronçonneuse, utiliser la rallonge correcte. Utiliser uniquement des rallonges spécifiées pour l'usage à l'extérieur. La rallonge doit être marquée avec le suffixe W ou W-A après la désignation du type de cordon. *Exemple* : SJTW-A ou SJTW.

Utiliser un cordon de taille correcte avec cette tronçonneuse. Le diamètre du cordon doit être suffisant pour transporter le courant nécessaire. Un cordon de dimension insuffisante provoquera une chute de tension au niveau de la tronçonneuse. La tronçonneuse perdra de la puissance et surchauffera. Suivre les recommandations figurant ci-dessous pour les tailles de cordon nécessaires.

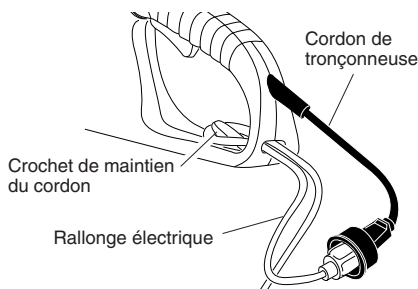
Longueur du cordon	Taille AWG du cordon
7,50 m (25 pieds)	16 AWG
15 m (50 pieds)	16 AWG
30 m (100 pieds)	14 AWG
45 m (150 pieds)	12 AWG

**Modèles EL-8 : 107624-01, -02; 107625-01, -02, 111174-01**

Tenir le cordon éloigné de la zone de coupe. S'assurer qu'il n'est pas accroché dans les branches ou billes durant la coupe. Inspecter souvent les cordons électriques. Les remplacer quand ils sont endommagés.

Cette tronçonneuse est conçue avec un crochet de maintien de la rallonge électrique qui évite qu'une

traction ne débranche la rallonge électrique lors de l'emploi. Pour l'utiliser, former une boucle avec l'extrémité de la rallonge électrique, insérer la boucle dans la fente à l'arrière de la poignée et placer la boucle sur le crochet de maintien de la rallonge (Voir la Figure 9). Tirer doucement la boucle contre le crochet de maintien de la rallonge jusqu'à ce qu'il n'y ait plus de jeu. Brancher la rallonge électrique au cordon d'alimentation de la tronçonneuse.



**Figure 9 - Boucle de la rallonge électrique sur le crochet de maintien du cordon**

### SCIAGE AVEC LA TRONÇONNEUSE

1. Relier la tronçonneuse à une rallonge électrique. Brancher la rallonge à une prise de courant.
2. La section de bille à tronçonner ne doit pas se trouver sur le sol. Ceci évite que la chaîne ne touche le sol à la fin du tronçonnage. Une chaîne en mouvement qui touche le sol s'émousse.
3. Se servir des deux mains pour tenir la tronçonneuse. Toujours utiliser la main gauche pour saisir la poignée avant et la main droite pour saisir la poignée arrière. Tenir fermement. Les pouces et les doigts doivent entourer les poignées. (Voir la Figure 10, page 50.)
4. Veiller à maintenir un bon équilibre. Garder les pieds écartés. Répartir le poids également sur les deux pieds.
5. Lorsqu'on est prêt à faire une coupe, pousser complètement vers l'avant avec le pouce droit le bouton de verrouillage et appuyer sur la gâchette (Voir la Figure 10, page 50). Ceci met la tronçonneuse en marche. Elle s'arrête quand on lâche la gâchette. S'assurer que la chaîne tourne à la vitesse maximum avant d'entamer l'entaille.
6. Au moment d'entamer l'entaille, placer la chaîne en mouvement contre le bois. Tenir la tronçonneuse fermement en place pour éviter qu'elle rebondisse ou dérape (mouvement latéral).
7. Guider l'outil en exerçant une légère pression. Ne pas forcer dessus. Le moteur serait surchargé et pourrait griller. Il fonctionnera de façon plus efficace et plus sûre à la vitesse pour laquelle il a été prévu.

# UTILISATION DE LA TRONÇONNEUSE

## Suite

- Retirer la tronçonneuse d'une coupe en gardant la tronçonneuse à pleine vitesse. Arrêter la tronçonneuse en relâchant la gâchette. S'assurer que la chaîne est arrêtée avant de poser la tronçonneuse.
- S'exercer à scier jusqu'à ce qu'on puisse maintenir une allure régulière.

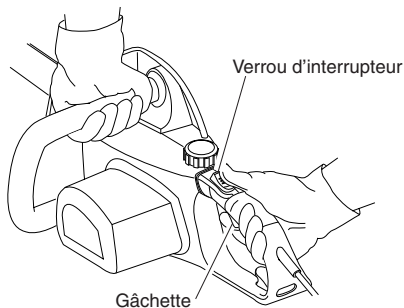


Figure 10 - Emplacement du bouton de verrouillage et de la gâchette

## ABATTAGE D'UN ARBRE

### ⚠ AVERTISSEMENT :

- Éviter la réaction de recul qui peut provoquer des blessures graves ou la mort. Voir *Recul*, pages 42 et 43, pour éviter les risques de recul.
- Ne pas abattre d'arbre si l'on ne possède pas l'expérience suffisante et si l'on ne dispose pas d'assistance expérimentée.
- Ne pas laisser les enfants, animaux et personnes présentes s'approcher de l'endroit où l'arbre pourrait tomber.
- Si deux ou plusieurs personnes participent aux travaux de tronçonnage et d'abattage en même temps, prévoir un espace suffisant entre les différentes opérations. Il faut une distance au moins égale à deux fois la hauteur de l'arbre à abattre.

**⚠ AVERTISSEMENT :** Lors de l'abattage d'un arbre, bien étudier les alentours. Ne mettre personne en danger. Veiller à ne pas heurter de lignes de services publics et à ne pas causer de dégâts matériels. Si l'arbre heurte une ligne de service public, contacter immédiatement les responsables.

L'abattage est la coupe d'un arbre entier. Veiller à maintenir un bon équilibre. Garder les pieds écartés. Répartir le poids également sur les deux pieds. Procéder de la façon suivante pour l'abattage d'un arbre.

### Avant d'abattre un arbre

- Avant d'abattre un arbre, l'inspecter. S'assurer qu'il n'y a pas de branches mortes qui pourraient tomber sur l'utilisateur. Étudier l'inclinaison naturelle de l'arbre, l'emplacement des grosses branches et la direction du vent. Ceci aide à juger où l'arbre va tomber.
- Dégager la zone de travail tout autour de l'arbre.
- Avant d'abattre un arbre, prévoir un chemin de dégagement et le dégager. Le prévoir à l'opposé de la direction de chute de l'arbre et à un angle de 45°. (Voir la Figure 11.)
- Débarrasser l'arbre où l'on va effectuer les entailles de saleté, cailloux, écorce détachée, clous, agrafes et fil de fer qui pourraient s'y trouver.
- Lors de l'abattage d'un arbre, rester du côté amont de la pente car il pourrait rouler ou glisser après sa chute.

### Procédure d'abattage

#### A) Sifflet d'abattage

Un sifflet d'abattage correctement placé permet de déterminer la direction de la chute de l'arbre. Placer le sifflet d'abattage du côté de l'arbre où l'on veut qu'il tombe. (Voir la Figure 12, page 51.) Procéder de la façon suivante pour faire le sifflet.

- Faire l'entaille inférieure aussi près du sol que possible. Tenir la tronçonneuse de manière à ce que la guide-chaîne soit horizontale. Tailler sur 1/3 du diamètre du tronc d'arbre. (Voir la Figure 12, page 51.)

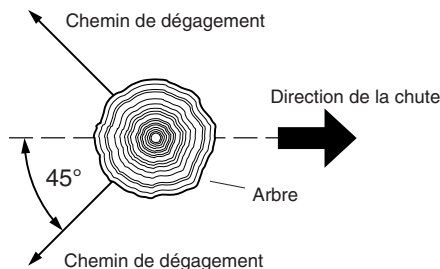


Figure 11 - Chemin de dégagement pour s'éloigner de l'arbre

# UTILISATION DE LA TRONÇONNEUSE

## Suite

**Note :** Toujours commencer par faire cette entaille inférieure horizontale. Si l'on fait cette entaille en second, l'arbre risque de pincer la chaîne ou la guide-chaîne.

- Entamer l'entaille supérieure au-dessus de la 1ère entaille, à une distance égale à la profondeur de cette dernière.

**Exemple :** Si l'entaille inférieure a 20 cm (8 po) de profondeur, commencer l'entaille supérieure à 20 cm au-dessus de cette dernière. Scier vers le bas à un angle de 45°. L'entaille supérieure doit rencontrer l'extrémité de l'entaille inférieure. (Voir la Figure 12.)

- Enlever le morceau de tronc créé par les deux entailles.

## B) Trait d'abattage

- De l'autre côté de l'arbre, faire le trait d'abattage à 5 cm (2 po) au-dessus de l'entaille inférieure du sifflet. (Voir la Figure 12.) Faire le trait parallèle à l'entaille inférieure.
- Scier en direction du sifflet.

**AVERTISSEMENT :** Ne pas scier l'arbre complètement. Laisser environ 5 cm (2 po) de bois non scié directement derrière le sifflet d'abattage. (Voir la Figure 12.) Cette partie non sciée sert de charnière. La charnière empêche l'arbre de se tordre et de tomber dans la mauvaise direction.

- Lorsque le trait d'abattage approche de la charnière, l'arbre doit commencer à tomber. **Note :** Si nécessaire, enfoncer des coins dans le trait d'abattage pour contrôler la direction de la chute. Si l'arbre revient en arrière et pince la chaîne, enfoncer des coins dans le trait d'abattage pour libérer la tronçonneuse. Utiliser uniquement des coins en plastique, en bois ou en aluminium. Ne jamais utiliser de coin en acier. Ceci provoquerait une réaction de recul qui risquerait d'endommager la chaîne.

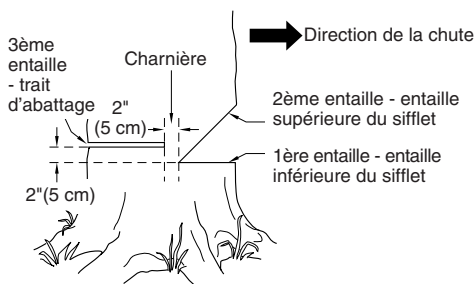


Figure 12 - Abattage d'un arbre

- Lorsque l'arbre commence à tomber, faire très rapidement les opérations suivantes :
  - sortir la tronçonneuse du trait d'abattage ;
  - lâcher la gâchette pour arrêter la tronçonneuse ;
  - poser la tronçonneuse sur le sol ;
  - s'éloigner par le chemin de dégagement.

**AVERTISSEMENT :** Surveiller les branches qui tombent. Regarder où l'on met les pieds en s'éloignant.

## ÉBRANCHAGE

**AVERTISSEMENT :** Éviter la réaction de recul qui peut provoquer des blessures graves ou la mort. Voir *Recul*, pages 42 et 43, pour éviter les risques de recul.

**AVERTISSEMENT :** Pour couper une branche sous tension, faire très attention. Veiller au bois qui fait ressort : quand la tension disparaît, la branche projetée risque de heurter l'utilisateur, entraînant des blessures graves ou la mort.

L'ébranchage est la coupe des branches d'un arbre tombé. Veiller à maintenir un bon équilibre. Garder les pieds écartés. Répartir le poids également sur les deux pieds. Ne pas retirer les grosses branches sous l'arbre qui soutiennent le tronc surélevé. Retirer chaque branche d'une seule coupe. (Voir la Figure 13.) Dégager souvent la zone de travail en écartant le bois coupé. Ceci contribue à la sécurité du travail.

Veiller à entamer l'entaille à un endroit où la branche ne pincera pas la tronçonneuse durant la coupe. Pour éviter le pincement, entamer l'entaille sur des branches libres, à partir du dessus de la branche. Pour les branches sous tension, entamer l'entaille à partir du dessous de la branche. En cas de pincement, arrêter la tronçonneuse, soulever la branche puis retirer l'outil.

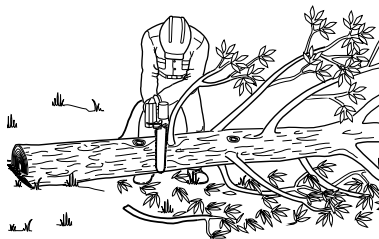


Figure 13 - Ébranchage d'un arbre

# UTILISATION DE LA TRONÇONNEUSE

Suite

## TRONÇONNAGE D'UNE BILLE

**⚠ AVERTISSEMENT : Éviter la réaction de recul qui peut provoquer des blessures graves ou la mort. Voir *Recul*, pages 42 et 43, pour éviter les risques de recul.**

**⚠ AVERTISSEMENT :**

- Si l'on se trouve sur une pente, s'assurer que la bille ne roulera pas. La maintenir en place à l'aide de piquets de bois. Enfoncer les piquets dans le sol du côté aval par rapport à la bille. Se tenir du côté amont de la bille pour tronçonner car les tronçons risquent de rouler.
- Ne jamais essayer de tronçonner deux billes à la fois. Ceci pourrait augmenter le risque de recul.
- Pendant le tronçonnage d'une bille, ne jamais tenir la bille avec la main, la jambe ou le pied.
- Pendant le tronçonnage d'une bille, ne jamais laisser quelqu'un d'autre tenir la bille.
- Arrêter la tronçonneuse et la débrancher avant de la déplacer d'un endroit à un autre.

Le tronçonnage d'une bille se fait en la coupant en tronçons. Veiller à maintenir un bon équilibre. Garder les pieds écartés. Répartir le poids également sur les deux pieds. Se tenir légèrement à gauche de la tronçonneuse. Ceci évite que le corps ne soit en prolongement direct de la chaîne. Autant que possible, soulever la bille ou le tronçon au-dessus du sol. Pour ce faire, utiliser des branches, tronçons, cales, etc.

Pendant le tronçonnage de la bille, maintenir le contrôle en réduisant la pression vers la fin du tronçonnage. Ne pas relâcher les poignées de la tronçonneuse. Veiller à ce que la chaîne en mouvement ne touche pas le sol car cela l'émousserait. Après le tronçonnage, lâcher la gâchette pour arrêter la tronçonneuse avant de la déplacer.

Procéder de la façon suivante pour tronçonner une bille.

### Toute la bille repose au sol.

Tronçonner la bille à partir du dessus. (Voir la Figure 14.)

### La bille est soutenue à une extrémité.

1. Faire la première entaille sur le dessous de la bille. (Voir la Figure 15.) Pour ce faire, utiliser le haut de la guide-chaîne. Scier sur le tiers du diamètre de la bille. Cette entaille permet d'éviter la production d'éclats de bois.
2. Faire la seconde entaille directement au-dessus de la première. Aller jusqu'à la rencontre de la première entaille. Ceci permet d'éviter le pincement de la guide-chaîne et de la chaîne.

### La bille est soutenue aux deux extrémités.

1. Faire la première entaille à partir du dessus de la bille. (Voir la Figure 16.) Scier sur le tiers du diamètre de la bille. Cette entaille permet d'éviter la production d'éclats de bois.
2. Faire la seconde entaille sur le dessous de la bille, directement au-dessous de la première. Pour ce faire, utiliser le haut de la guide-chaîne. Aller jusqu'à la rencontre de la première entaille. Ceci permet d'éviter le pincement de la guide-chaîne et de la chaîne.

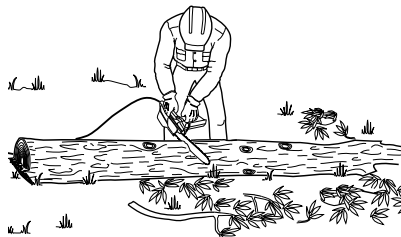


Figure 14 - Tronçonnage d'une bille qui repose entièrement au sol

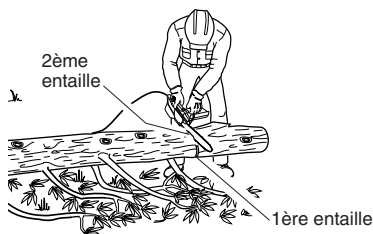


Figure 15 - Tronçonnage d'une bille soutenue à une extrémité

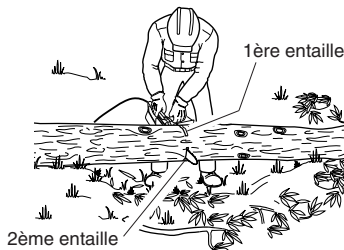


Figure 16 - Tronçonnage d'une bille soutenue aux deux extrémités

# UTILISATION DE LA TRONÇONNEUSE

Suite

## TAILLE D'UN ARBRE (Élagage)

**⚠ AVERTISSEMENT : Éviter la réaction de recul qui peut provoquer des blessures graves ou la mort. Voir *Recul*, pages 42 et 43, pour éviter les risques de recul.**

**⚠ AVERTISSEMENT : Ne pas utiliser la tronçonneuse quand on est :**

- dans un arbre,
- sur une échelle ou toute autre surface instable,
- dans une position instable.

**On risque de perdre le contrôle de l'outil, ce qui peut provoquer des blessures graves.**

**⚠ AVERTISSEMENT : Ne pas couper de branches au-dessus de la hauteur de l'épaule.**

**⚠ AVERTISSEMENT : Si l'utilisateur estime les conditions de travail au-delà de ses capacités, il lui est conseillé de faire appel à un professionnel.**

La taille d'un arbre est la coupe des branches de l'arbre sur pied. Veiller à maintenir un bon équilibre. Garder les pieds écartés. Répartir le poids également sur les deux pieds. Procéder de la façon suivante pour la taille d'un arbre.

1. Faire la première entaille à 15 cm (6 po) du tronc, sur le dessous de la branche. Utiliser le haut de la guide-chaîne pour faire cette entaille. Couper sur 1/3 du diamètre de la branche. (Voir la Figure 17.)

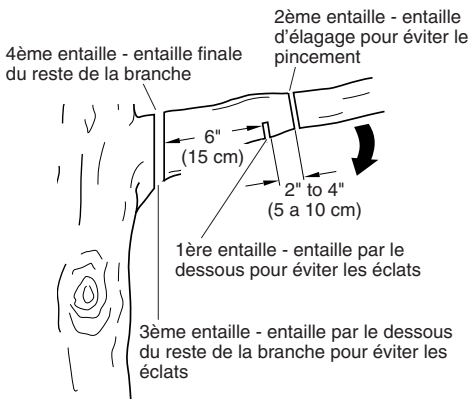


Figure 17 - Coupe d'une branche

2. Avancer de 5 à 10 cm (2 à 4 po) plus loin sur la branche. Faire la seconde entaille à partir du dessus de la branche. Continuer jusqu'à ce que la branche soit sectionnée.
3. Faire la 3ème entaille aussi près du tronc que possible, sur le dessous du reste de la branche. Utiliser le haut de la guide-chaîne pour faire cette entaille. Couper sur 1/3 du diamètre du reste de la branche.
4. Faire la 4ème entaille juste au-dessus de la 3ème. Tailler pour rencontrer la 3ème entaille. Ceci enlève le reste de la branche.

## NETTOYAGE ET ENTRETIEN

**AVIS : Les instructions pour l'entretien de la tronçonneuse se trouvent ci-dessous. Tout entretien qui n'est pas mentionné ci-dessous doit être effectué par un réparateur agréé.**

### NETTOYAGE DU CARTER DE TRONÇONNEUSE

**⚠ AVERTISSEMENT : Avant de procéder à l'entretien, débrancher la tronçonneuse de la prise de courant. Des blessures graves ou la mort peuvent être provoquées par les chocs électriques et le contact du corps avec la chaîne en mouvement.**

**⚠ AVERTISSEMENT : Les tranchants de la chaîne sont affûtés. Porter des gants de protection pour manipuler la chaîne.**

**⚠ AVERTISSEMENT : Pour nettoyer le carter de la tronçonneuse :**

- Ne pas la plonger dans un liquide.
- Ne pas utiliser de produits contenant de l'ammoniaque, du chlore ou des abrasifs.
- Ne pas utiliser de solvants de nettoyage au chlore, de tétrachlorure de carbone, de kérosène ni d'essence.

Maintenir propre le carter de la tronçonneuse. Utiliser un chiffon doux imprégné d'un mélange d'eau et de savon doux. Essuyer le carter.

# NETTOYAGE ET ENTRETIEN

## Suite

### ENTRETIEN DE LA GUIDE-CHAÎNE

La plupart des problèmes de guide-chaîne sont causés par son usure inégale. La cause en est souvent l'affûtage incorrect des taillants de la chaîne et le réglage incorrect des limiteurs de profondeur. Lorsque la guide-chaîne s'use de manière inégale, sa rainure s'élargit. (Voir la Figure 18.) Ceci fait claquer la chaîne et sauter les rivets. La tronçonneuse ne peut plus scier droit. Il faut dans ce cas remplacer la guide-chaîne.

Inspecter la guide-chaîne avant d'affûter la chaîne. Une guide-chaîne usée ou endommagée présente des dangers. Elle endommage la chaîne. Le sciage devient également plus difficile.

#### Entretien normal de la guide-chaîne

1. Sortir la guide-chaîne de la tronçonneuse.
2. Retirer périodiquement la sciure se trouvant dans la rainure de la guide-chaîne. Utiliser un couteau à mastic ou un morceau de fil de fer (Voir la Figure 19).
3. Nettoyer les fentes à huile après chaque journée d'utilisation.
4. Éliminer les ébarbures des côtés de la guide-chaîne. Utiliser une lime plate pour redresser les bords.

Remplacer la guide-chaîne quand :

- la lame est tordue ou fendue,
- la rainure interne de la lame est très usée.

**Note :** Pour le remplacement de la guide-chaîne, consulter le paragraphe *Pièces de rechange et accessoires*, page 56, pour connaître la guide-chaîne correcte à utiliser.

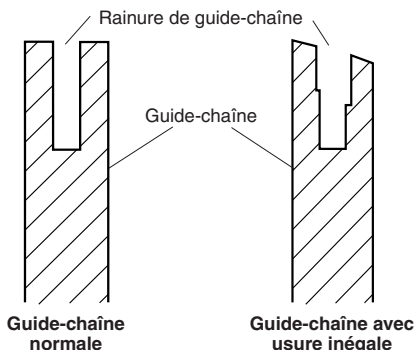


Figure 18 - Coupe transversale d'une guide-chaîne montrant une usure inégale

### AFFÛTAGE DE LA CHAÎNE

**AVERTISSEMENT :** Avant de procéder à l'entretien, débrancher la tronçonneuse de la prise de courant. Des blessures graves ou la mort peuvent être provoquées par les chocs électriques et le contact du corps avec la chaîne en mouvement.

**AVERTISSEMENT :** Les tranchants de la chaîne sont affûtés. Porter des gants de protection pour manipuler la chaîne.

Maintenir la chaîne affûtée. La tronçonneuse scie plus rapidement et de façon plus sécuritaire. Une chaîne émoussée provoque l'usure prématurée du pignon, de la guide-chaîne, de la chaîne et du moteur. Si l'utilisateur est contraint de forcer sur la chaîne pour la faire entrer dans le bois et si le sciage ne produit que de la sciure avec peu de gros copeaux, c'est que la chaîne est émoussée.

#### Outils nécessaires pour affûter la chaîne

Ces outils peuvent être achetés chez le concessionnaire local, dans une quincaillerie ou un dépôt de fournitures pour tronçonneuses.

- lime ronde de 4 mm (5/32 po)
- outil pour limiteur de profondeur
- lime plate moyenne
- guide lime
- étau

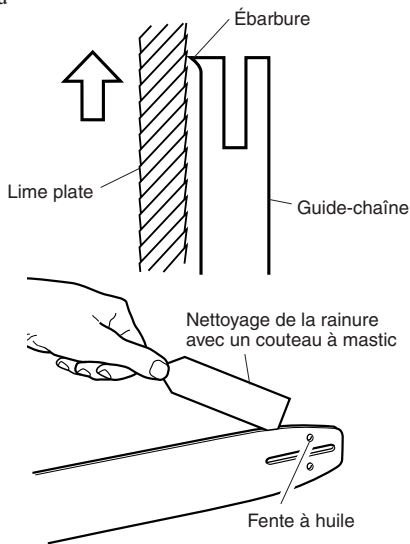


Figure 19 - Entretien de la guide-chaîne

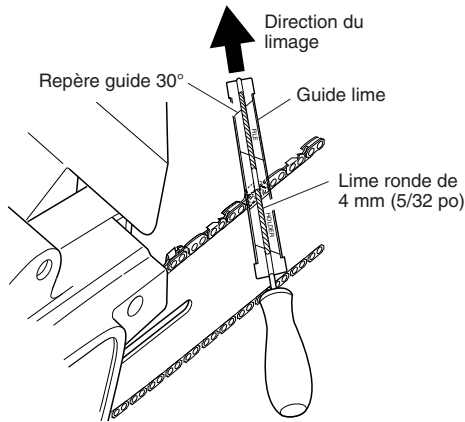
# NETTOYAGE ET ENTRETIEN

## Suite

### Affûtage des taillants

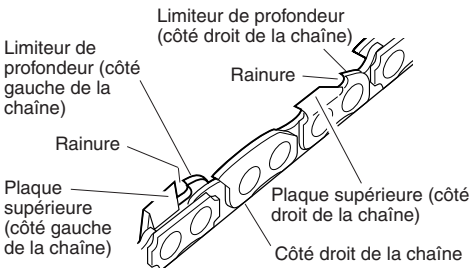
Utiliser le guide lime pour un limage à 30°.

1. Régler la chaîne à sa tension correcte. (Voir *Réglage de la tension de la chaîne*, pages 47 et 48.)
2. Serrer la guide-chaîne dans un étau pour immobiliser la tronçonneuse. **Note** : Ne pas serrer la chaîne.
3. Enfoncer la lime ronde de 4 mm (5/32 po) (attachée au guide lime) dans la rainure, entre la plaque supérieure et le limiteur de profondeur sur la chaîne. Le guide lime doit reposer sur la plaque supérieure et sur le limiteur de profondeur. (Voir les Figure 20.) **Note** : Limer au milieu de la guide-chaîne.
4. Tenir le guide lime horizontal. S'assurer que le repère 30° du guide lime est parallèle à l'axe de la guide-chaîne. (Voir la Figure 20.) Ceci permet de s'assurer que l'on lime les taillants à un angle de 30°.
5. Limer le taillant de l'intérieur vers l'extérieur, jusqu'à ce qu'il soit affûté. Ne limer que dans cette seule direction. (Voir la Figure 20.) **Note** : 2 ou 3 coups de lime doivent affûter le taillant.



**Note** : Cette illustration représente la position du guide lime et la direction du limage pour l'affûtage des taillants du côté gauche de la chaîne.

**Figure 20 - Position de la lime et du guide lime sur la chaîne**



**Figure 21 - Emplacement des pièces de la chaîne**

6. Une fois le taillant affûté, avancer la chaîne pour affûter le taillant suivant. Limer tous les taillants du même côté de la chaîne.
7. Passer de l'autre côté de la chaîne et répéter l'opération.

### Limage des limiteurs de profondeur des taillants

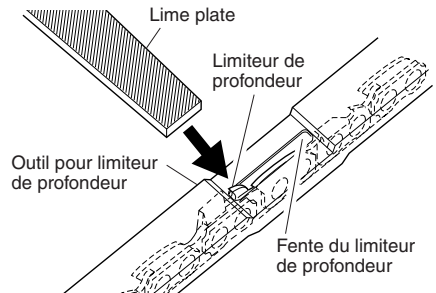
Le dégagement des limiteurs de profondeur des taillants est réduit lorsque ces derniers sont affûtés. Tous les 2 ou 3 affûtages, régler les limiteurs de profondeur.

1. Placer l'outil pour limiteur de profondeur fermement par-dessus 2 taillants. S'assurer que le limiteur de profondeur entre dans la fente de l'outil. (Voir la Figure 22.)
2. Utiliser une lime plate moyenne. Limer le limiteur de profondeur avec l'outil.
3. Retirer l'outil. Avec la lime plate, arrondir le coin avant du limiteur de profondeur. (Voir la Figure 23.)

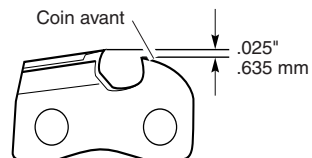
Après plusieurs limages à la main, faire affûter la chaîne par un centre de réparation agréé ou dans une affûteuse. Ceci permet d'avoir un limage uniforme.

### REPLACEMENT DE LA CHAÎNE

Remplacer la chaîne lorsque les taillants sont trop usés pour être affûtés ou lorsque la chaîne casse. Utiliser uniquement la chaîne de rechange spécifiée dans ce manuel. Toujours remplacer le pignon d'entraînement par un neuf lors du remplacement de la chaîne. **Note** : Pour connaître la chaîne et le pignon d'entraînement corrects à utiliser, Voir *Pièces de rechange et accessoires*, page 56.



**Figure 22 - Position de l'outil pour limiteur de profondeur sur la chaîne**



**Figure 23 - Arrondir le coin avant du limiteur de profondeur**

## REMISAGE

Si l'on remise la tronçonneuse pour plus de 30 jours, procéder de la façon suivante :

1. Vidangez le réservoir d'huile après chaque utilisation.
2. Déposer la guide-chaîne et la chaîne et les nettoyer. Pour ce faire, les tremper dans un solvant à base de pétrole ou dans un mélange d'eau et de savon doux.
3. Sécher la guide-chaîne et la chaîne.
4. Placer la chaîne dans un récipient rempli d'huile. Ceci l'empêche de rouiller.
5. Passer une légère couche d'huile sur la surface de la guide-chaîne.
6. Essuyer l'extérieur du carter de la tronçonneuse avec un chiffon doux imprégné d'un mélange d'eau et de savon doux.
7. Remiser la chaîne :
  - dans un endroit en hauteur ou verrouillé, hors de la portée des enfants,
  - dans un endroit sec,
  - dans une malette de transport ou avec un fourreau recouvrant la guide-chaîne.

## SERVICE TECHNIQUE

Peut-être aurez-vous d'autres questions sur l'assemblage, le fonctionnement ou l'entretien de ce produit. Si c'est le cas, visitez le site Web du Service technique à l'adresse [www.desatech.com](http://www.desatech.com) ou contactez le Service technique au 1 800 858-8501 (en anglais seulement). Vous pouvez aussi nous écrire à l'adresse suivante :

DESA Specialty Products<sup>MC</sup>

ATTN. : Technical Service Specialty Products

P.O. Box 90004

Bowling Green, KY 42101-9004

Lorsque vous contactez DESA Specialty Products<sup>MC</sup> veuillez avoir à portée de la main :

- Votre nom
- Votre adresse
- Votre numéro de téléphone
- Le numéro de modèle du produit
- La date d'achat (y compris une copie du reçu de caisse pour les demandes écrites).

## PIÈCES DE RECHANGE ET ACCESSOIRES

Pour obtenir des pièces de rechange et des accessoires d'origine pour ce produit, contactez le détaillant autorisé ou le centre de service autorisé le plus proche. Si ces derniers ne sont pas en mesure de vous fournir la pièce ou l'accessoire dont vous avez besoin, contactez le dépôt de pièces le plus proche, inscrit sur la liste à la page 59. Chaque détaillant autorisé, centre de service autorisé et dépôt de pièces est la propriété exclusive de la personne qui en assure l'exploitation de façon indépendante.

Consultez les pages 60 par 63 pour une liste illustrée des pièces.

Pour plus de détails, contactez le Service technique (consultez la section *Service technique*).

Au Canada, faites le 1 800 561-3372 pour obtenir plus de détails sur les pièces.

## SERVICE DE RÉPARATION

*Note* : Utilisez seulement des pièces de rechange d'origine. Vous aurez ainsi droit à la protection de la garantie pour toute pièce remplacée en vertu de la garantie.

### SERVICE SOUS GARANTIE

Si le produit doit être réparé pendant la période de validité de la garantie, apportez-le au centre de service autorisé le plus proche. Vous devrez alors présenter une preuve d'achat. Si le problème est attribuable à un défaut de fabrication ou de matériau, nous assurerons sans frais la réparation ou le remplacement du produit.

*Note* : Les dommages attribuables à l'usure normale, à une utilisation abusive ou à mauvais escient, à la négligence ou à un accident ne sont pas couverts aux termes de la garantie.

### SERVICE HORS GARANTIE

Si le produit doit être réparé, apportez-le au centre de service autorisé le plus proche. Les frais de réparation vous seront facturés conformément au prix habituel des réparations.

Pour plus de détails sur le centre de service ou sur la garantie, faites le 1 800 858-8501 ou visitez le site Web du Service technique à l'adresse [www.desatech.com](http://www.desatech.com).



# DÉPANNAGE

*Remarque* : Pour toute assistance supplémentaire, visitez le site Internet du service technique de DESA Specialty Products<sup>MC</sup> à [www.desatech.com](http://www.desatech.com).



**AVERTISSEMENT** : Avant de faire l'entretien, débrancher la tronçonneuse de la prise de courant. Des blessures graves ou la mort peuvent être provoquées par les chocs électriques et le contact du corps avec la chaîne en mouvement.

## DÉFAILLANCE OBSERVÉE

## CAUSE POSSIBLE

## REMÈDE

La chaîne tourne mais ne scie pas	Chaîne assemblée à l'envers sur la guide-chaîne	Voir <i>Montage</i> , pages 45 et 46
La chaîne ne scie que lorsqu'elle est forcée. La taille ne produit que de la sciure avec quelques gros copeaux	La chaîne est émoussée	Voir <i>Affûtage de la chaîne</i> , pages 54 et 55
La chaîne tourne lentement. Elle cale facilement	Faible tension électrique d'alimentation	La rallonge électrique est d'un calibre trop petit. Voir <i>Rallonges électriques</i> , à la page 49
Le moteur de la tronçonneuse ne marche pas quand on appuie sur la gâchette	<ol style="list-style-type: none"><li>1. Verrou d'interrupteur pas poussé vers l'avant pour libérer la gâchette</li><li>2. Raccords des cordons électriques desserrés</li><li>3. Fusible ou disjoncteur de ligne ouvert</li><li>4. Balais de moteur usés</li><li>5. Circuit électrique ouvert dans la tronçonneuse</li></ol>	<ol style="list-style-type: none"><li>1. Pousser le verrou d'interrupteur vers l'avant avant d'appuyer sur la gâchette</li><li>2. Vérifier les raccords</li><li>3. Vérifier le fusible ou le disjoncteur</li><li>4. Contacter un réparateur agréé</li><li>5. Contacter un réparateur agréé</li></ol>
Le moteur de la tronçonneuse marche mais la chaîne ne bouge pas	Panne du train d'entraînement	Contacteur un réparateur agréé
L'huile n'arrive pas à la chaîne	<p><b>Tous les modèles</b></p> <ol style="list-style-type: none"><li>1. Fente à huile bouchée dans la guide-chaîne</li><li>2. Huile trop épaisse</li></ol> <p><b>Modèles avec graisseur automatique</b></p> <ol style="list-style-type: none"><li>1. Orifice d'aération du bouchon de remplissage d'huile obturé</li><li>2. Filtre du carter d'huile obturé</li><li>3. Pompe endommagée; n'utilisez pas la scie</li></ol>	<ol style="list-style-type: none"><li>1. Déposer la guide-chaîne et nettoyer la fente à huile</li><li>2. Utiliser l'huile de viscosité correcte. Voir <i>Remplissage du réservoir d'huile</i> page 48</li><li>1. Ôtez le bouchon et nettoyez l'orifice d'aération</li><li>2. Ôtez le filtre du carter d'huile et nettoyez-le</li><li>3. Consultez un centre de réparation autorisé</li></ol>
La chaîne saute hors de la guide-chaîne	<ol style="list-style-type: none"><li>1. Chaîne détendue</li><li>2. Le guide-chaîne et la chaîne ne sont pas montés correctement</li></ol>	<ol style="list-style-type: none"><li>1. Tendre la chaîne. Voir <i>Réglage de la tension de la chaîne</i>, pages 47 et 48</li><li>2. Voir <i>Montage</i>, pages 45 et 46</li></ol>
La tronçonneuse fume	Outil endommagé. Ne pas l'utiliser	Contacteur un réparateur agréé
L'huile fuit	Bouchon d'huile mal fermé	Bien fermer le bouchon d'huile. <b>Note</b> : Vidanger le réservoir d'huile quand on n'utilise pas l'outil

# INFORMATION SUR LA GARANTIE

Modèle \_\_\_\_\_

Date d'achat \_\_\_\_\_

## GARANTIE LIMITÉE POUR LA TRONÇONNEUSE ÉLECTRIQUE

Spécifier toujours le numéro de modèle et le numéro de série lors de toute correspondance adressée à l'usine.

Nous nous réservons le droit de modifier ces spécifications à n'importe quel moment sans préavis. La seule garantie applicable est notre garantie écrite standard. Nous n'accordons aucune autre garantie, expresse ou tacite.

DESA Specialty Products<sup>MC</sup> garantit cette tronçonneuse électrique et toutes les pièces de celle-ci contre tout défaut de pièce et main-d'œuvre pendant un an (90 jours pour les produits remis à neuf) à compter de la date d'achat originale auprès d'un revendeur agréé, à condition que le produit ait été correctement entretenu et utilisé de façon conforme à toutes les instructions applicables. Le bordereau d'achat ou le ticket de caisse devra être présenté lors d'une réclamation dans le cadre de cette garantie.

Cette garantie est accordée uniquement à l'acheteur original. Cette garantie couvre uniquement les pièces et la main-d'œuvre requises pour remettre cette tronçonneuse dans son état de marche correct. Les pièces garanties doivent être obtenues par l'intermédiaire de revendeurs et de centres de service agréé par l'usine pour ce produit. Ces revendeurs et centres de service fourniront des pièces de rechange d'usine d'origine. L'emploi de pièces autres que des pièces de rechange d'usine d'origine annule cette garantie.

Cette garantie ne couvre pas un usage commercial, industriel ou locatif, et elle ne s'applique ni aux pièces qui ne sont pas dans leur état d'origine à cause d'une usure normale, ni aux pièces qui cassent ou sont abîmées suite à une mauvaise utilisation, un accident, une maintenance insuffisante, une modification ou une altération. Les frais de déplacement, manutention, transport et les frais indirects associés aux réparations sous garantie ne sont pas remboursables dans le cadre de cette garantie et incombent au propriétaire.

Dans toute la mesure autorisée par la loi de la juridiction qui gouverne la vente du produit, la garantie expresse exclut toute autre garantie expresse et limite la durée de toutes les garanties tacites, y compris les garanties que le produit est propre à la vente et adapté à une fonction particulière, à un an à compter de la date d'achat originale, et la responsabilité de DESA Specialty Products<sup>MC</sup> est limitée par la présente au prix d'achat du produit. DESA Specialty Products<sup>MC</sup> ne sera responsable d'aucun autre dommage quel qu'il soit, y compris les dommages indirects ou accessoires.

Certains états ne permettent pas de limiter la durée de validité d'une garantie tacite ou de d'exclure ou de limiter les dommages indirects ou accessoires, auquel cas la limitation ci-dessus concernant les dommages peut ne pas vous concerner.

Cette garantie fournit à l'acheteur d'origine des droits spécifiques. Pour plus de renseignements concernant ces droits, veuillez consulter les lois de l'état applicables.

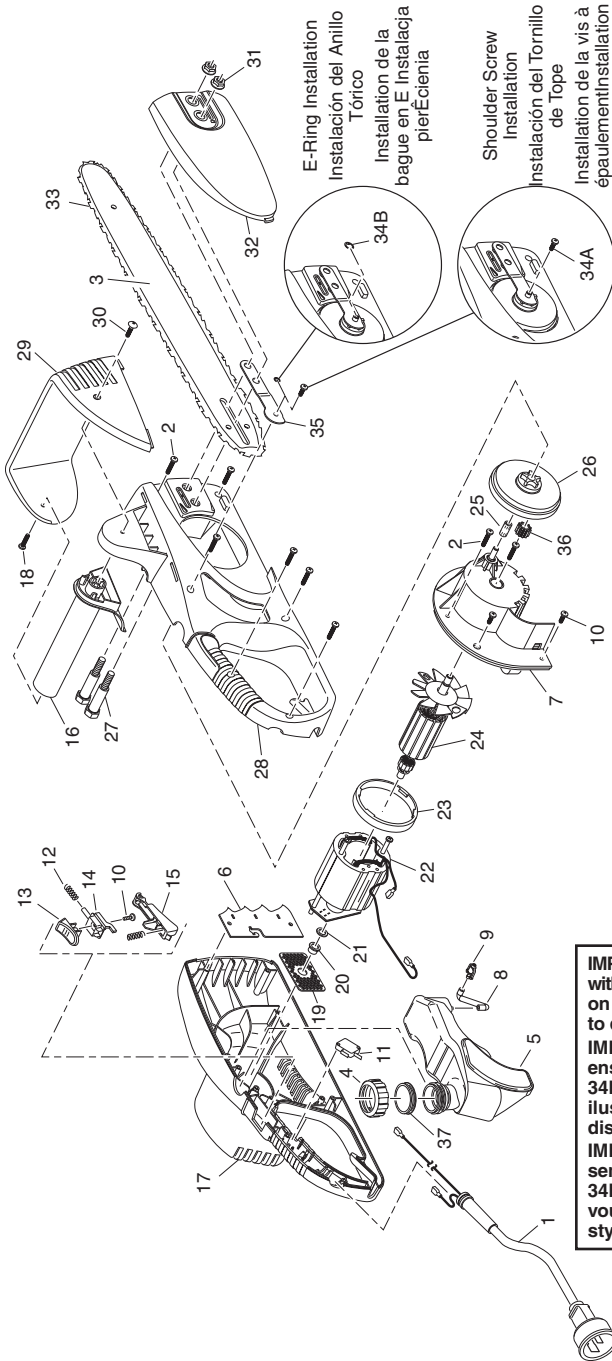


Bowling Green, KY 42102-9004  
U.S.A.  
800-858-8501 (en anglais seulement)  
[www.desatech.com](http://www.desatech.com)

**DESA**  
Industries of Canada, Inc.  
2220 Argentia Road  
Unit #4  
Mississauga, Ontario  
L5N 2K7  
905-826-8010  
FAX 905-826-8236  
[www.desatech.com](http://www.desatech.com)

# ILLUSTRATED PARTS BREAKDOWN/DESGLOSE ILUSTRADO DE PARTES/SCHÉMA DES PIÈCES

MODELS/MODELOS/MODEÈLES 107624-01 & 107624-02



**IMPORTANT:** Your chainsaw is assembled with EITHER part 34A OR part 34B depending on your saw's design. See illustration above to determine which saw design you have.  
**IMPORANTE:** Su sierra de cadena está ensamblada SEA con la pieza 34A O la pieza 34B en base al diseño de su sierra. Vea la ilustración de arriba para determinar qué diseño de sierra es la que usted tiene.  
**IMPORANTE :** Votre tronçonneuse est assemblée avec SOIT la pièce 34A OU la pièce 34B, selon le style de la chaîne. Reportez-vous à l'illustration afin de déterminer le style de votre chaîne.

**IMPORTANT:** Your chainsaw is assembled with EITHER part 34A OR part 34B depending on your saw's design. See illustration above to determine which saw design you have.  
**IMPORANTE:** Su sierra de cadena está ensamblada SEA con la pieza 34A O la pieza 34B en base al diseño de su sierra. Vea la ilustración de arriba para determinar qué diseño de sierra es la que usted tiene.  
**IMPORANTE :** Votre tronçonneuse est assemblée avec SOIT la pièce 34A OU la pièce 34B, selon le style de la chaîne. Reportez-vous à l'illustration afin de déterminer le style de votre chaîne.

# PARTS LIST/LISTA DE REPUESTOS/LISTE DES PIÈCES

This list contains replaceable parts used in your chainsaw. When ordering parts, be sure to provide the correct model number (from the model plate), then the part number and description of the desired part.

Esta lista contiene partes reemplazables y que se utilizan en su sierra de cadena. Cuando solicite repuestos, asegúrese de facilitar el número correcto del modelo (de la placa del modelo), luego el número de parte y la descripción de la parte deseada.

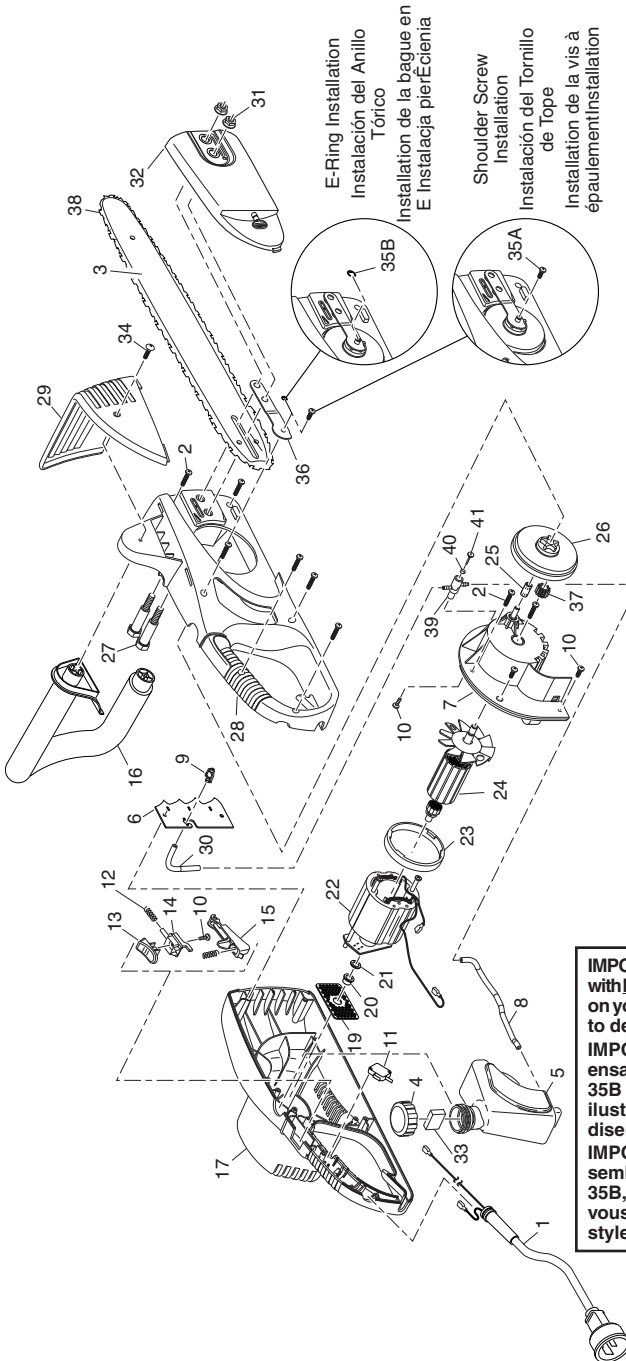
La présente liste énumère les différentes pièces remplaçables qu'utilise votre scie à chaîne. Pour commander une pièce, ne manquez pas de fournir le bon numéro de modèle de votre scie (que vous trouverez sur sa plaque signalétique), puis le numéro et la description de la pièce désirée.

## MODELS/MODELOS/MODÈLES 107624-01 & 107624-02

KEY NO./ NÚMERO CLAVE/N° DE RENVOI	PART NO./ NÚMERO DE PARTE/ N° DE PIÈCE	DESCRIPTION/DESCRIPCIÓN/DESCRIPTION	QTY./ CANTIDAD/ QTÉ
1	099829-04	Shrouded Cord/Cordón con recubrimiento/Corde renforcée	1
2	107708-01	Screw, PPH B 8-18 x .88/Tornillo PPH B 8-18 x 0,88/Vis, PPH B 8-18 x .88	7
3	107704-02	Bar, Guide 16"/Barra guía de 16 pulgadas/Barre de guidage 16 po	1
4	107610-02	Cap, Reservoir/Tapa del depósito/Bouchon du réservoir	1
5	107622-01	Reservoir, Oil/Depósito de aceite/Réservoir d'huile	1
6	107617-01	Plate, Bucking/Placa compensadora/Plaque, griffe	1
7	107607-01	Plate, Bearing/Placa del rodamiento/Plaque, palier	1
8	107719-01	Tubing, .250/Tubería de 0,250/Tube, .250	1
9	107721-01	Retainer, Hose/Sujetador de la manguera/Dispositif de rétention du boyau	1
10	107708-02	Screw, PPH B 8-18 x .50/Tornillo PPH B 8-18 x 0,50/Vis, PPH B 8-18 x .50	3
11	107729-01	Switch/Interruptor/Interrupteur	1
12	107694-01	Spring, Trigger/Resorte del activador/Ressort, gâchette	2
13	107606-01	Lock-Off, Trigger/Bloqueo en apagado del activador/Verrou, gâchette	1
14	107693-01	Retainer, Lock-Off Trigger/Sujetador del activador con bloqueo en apagado/ Dispositif de rétention, verrou de gâchette	1
15	107605-01	Trigger/Activador/Gâchette	1
16	107621-01	Handle/Mango/Poignée	1
17	107602-02	Housing, Motor/Carcasa del motor/Boîtier du moteur	1
18	107708-03	Screw, PPH B 8-18 x .75/Tornillo PPH B 8-18 x 0,75/Vis, PPH B 8-18 x .75	2
19	059428	Screen, Bearing/Canastilla del rodamiento/Filtre, palier	1
20	067987	Bearing, Flanged/Rodamiento de brida/Palier à bride	1
21	058059	Washer, Thrust/Arandela de empuje/Disque de butée	1
22	098042-03	Field, 120V/Campo Inductor de 120 voltios/Bobinage de champ, 120V	1
23	108119-01	Ring, Field Support/Anillo soporte del campo/Bride du support de bobinage de champ	1
24	100933-03	Armature, 120V/Armadura de 120 voltios/Armature, 120V	1
25	075676	Bearing, Roller Sprocket/Rodamiento de la rueda dentada del rodillo/Palier, pignon	1
26	107713-01	Sprocket/Rueda dentada/Pignon	1
27	107707-01	Bolt, Guide Bar/Perno de la barra de guía/Vis de verrouillage du guide	2
28	107603-02	Cover, Side/Tapa lateral/Couvercle latéral	1
29	107620-01	Guard, Hand, Front/Protector frontal para la mano/Protecteur avant	1
30	109701-01	Screw, Truss Head/Tornillo cabeza reforzada/Vis à tête bombée	1
31	107710-01	Nut, Guide Bar/Tuerca de la barra guía/Écrou de barre de guidage	2
32	108640-01	Assembly, Sprocket Cover/Conjunto tapa de la rueda dentada/Ensemble de couvercle de pignon	1
33	091375-03S	Chain, Saw (16"), Bulk Pack/Cadena de la sierra (16 pulgadas), empaçado en cantidad/Scie mécanique (16 po), emballée en vrac	1
34A	076905	Screw, Shoulder Pan - HD/Tornillo cabeza redondeada con tope- HD/Vis à épaulement - HD	1
34B	108120-01	E-Ring/Anillo E/Joint en E	1
35	107615-01	Support, Sprocket/Soporte de la rueda dentada/Support de pignon	1
36	059606	Gear, Drive IIT 20DP/Engranaje impulsor IIT 20DP/Engrenage d'entraînement IIT 20DP	1
37	107623-01	Bulb, Squeeze/Pera de apriete/Poire	1
<b>PARTS AVAILABLE - NOT SHOWN/PARTES DISPONIBLES - NO MOSTRADAS/PIÈCES DISPONIBLES - NON MONTRÉES</b>			
	079963-04	Scabbard/Vaina/Protège-lame	1
	107705-01	Owner's Manual/Manual del propietario/Manuel du propriétaire	1

# ILLUSTRATED PARTS BREAKDOWN/DESGLOSE ILUSTRADO DE PARTES/SCHÉMA DES PIÈCES

MODELS/MODELOS/MODÈLES 107625-01, 107625-02, & 111174-01



**IMPORTANT:** Your chainsaw is assembled with **EITHER** part 35A **OR** part 35B depending on your saw's design. See illustration above to determine which saw design you have.  
**IMPORTANTE:** Su sierra de cadena está ensamblada SEA con la pieza 35A **O** la pieza 35B en base al diseño de su sierra. Vea la ilustración de arriba para determinar qué diseño de sierra es la que usted tiene.  
**IMPORTANT :** Votre tronçonneuse est assemblée avec **SOIT** la pièce 35A **OU** la pièce 35B, selon le style de la chaîne. Reportez-vous à l'illustration afin de déterminer le style de votre chaîne.

**IMPORTANT:** Your chainsaw is assembled with **EITHER** part 35A **OR** part 35B depending on your saw's design. See illustration above to determine which saw design you have.  
**IMPORTANTE:** Su sierra de cadena está ensamblada SEA con la pieza 35A **O** la pieza 35B en base al diseño de su sierra. Vea la ilustración de arriba para determinar qué diseño de sierra es la que usted tiene.  
**IMPORTANT :** Votre tronçonneuse est assemblée avec **SOIT** la pièce 35A **OU** la pièce 35B, selon le style de la chaîne. Reportez-vous à l'illustration afin de déterminer le style de votre chaîne.

# PARTS LIST/LISTA DE REPUESTOS/LISTE DES PIÈCES

This list contains replaceable parts used in your chainsaw. When ordering parts, be sure to provide the correct model number (from the model plate), then the part number and description of the desired part.

Esta lista contiene partes reemplazables y que se utilizan en su sierra de cadena. Cuando solicite repuestos, asegúrese de facilitar el número correcto del modelo (de la placa del modelo), luego el número de parte y la descripción de la parte deseada.

La présente liste énumère les différentes pièces remplaçables qu'utilise votre scie à chaîne. Pour commander une pièce, ne manquez pas de fournir le bon numéro de modèle de votre scie (que vous trouverez sur sa plaque signalétique), puis le numéro et la description de la pièce désirée.

## MODELS/MODELOS/MODÈLES 107625-01, 107625-02, & 111174-01

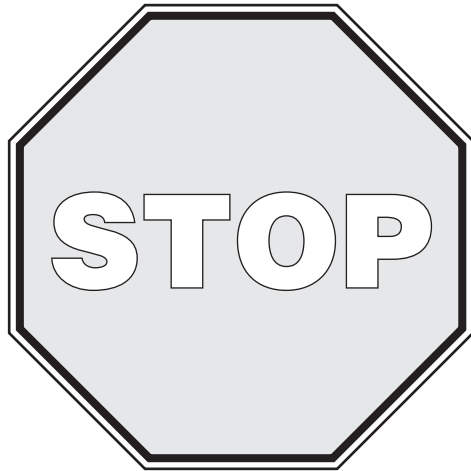
KEY NO./ NÚMERO CLAVE/N° DE RENVOI	PART NO./ NÚMERO DE PARTE/ N° DE PIÈCE	DESCRIPTION/DESCRIPCIÓN/DESCRIPTION	QTY./CANTIDAD/QTÉ	
			107625-01 107625-02	111174-01
1	099829-04	Shrouded Cord/Cordón con recubrimiento/Corde renforcée	1	1
2	107708-01	Screw, PPH B 8-18 x .88/Tornillo PPH B 8-18 x 0,88/Vis, PPH B 8-18 x .88	8	8
3	107704-02	Bar, Guide 16"/Barra guía de 16 pulgadas/Barre de guidage 16 po	1	1
4	107610-01	Cap, ReserVoiR/Tapa del depósito/Bouchon du réservoir	1	1
5	107611-01	ReserVoiR, Oil/Depósito de aceite/Réservoir d'huile	1	1
6	107617-01	Plate, Bucking/Placa compensadora/Plaque, griffe	1	1
7	107607-01	Plate, Bearing/Placa del rodamiento/Plaque, palier	1	1
8	107719-02	Tubing, .250/Tubería de 0,250/Tube, .250	1	1
9	107721-01	Retainer, Hose/Sujetador de la manguera/Dispositif de rétention du boyau	1	1
10	107708-02	Screw, PPH B 8-18 x .50/Tornillo PPH B 8-18 x 0,50/Vis, PPH B 8-18 x .50	4	4
11	107729-01	Switch/Interruptor/Interrupteur	1	1
12	107694-01	Spring, Trigger/Resorte del activador/Ressort, gâchette	2	2
13	107606-01	Lock-Off, Trigger/Bloqueo en apagado del activador/Verrou, gâchette	1	1
14	107693-01	Retainer, Lock-Off Trigger/Sujetador del bloqueo en apagado del activador/Dispositif de rétention, verrou de gâchette	1	1
15	107605-01	Trigger/Activador/Gâchette	1	1
16	107609-01	Handle, Wrap Around/Mango cilíndrico/Poignée anti-vibratoire	1	1
17	107602-01	Housing, Motor/Carcasa del motor/Boîtier du moteur	1	—
18	107708-03	Housing, Motor/Carcasa del motor/Boîtier du moteur Screw, PPH B 8-18 x .75/Tornillo PPH B 8-18 x 0,75/Vis, PPH B 8-18 x .75	—	1
19	059428	Screen, Bearing/Canastilla del rodamiento/Filtre, palier	2	2
20	067987	Bearing, Flanged/Rodamiento de brida/Palier à bride	1	1
21	058059	Washer, Thrust/Arandela de empuje/Disque de butée	1	1
22	098042-02	Field, 120V/Campo inductor de 120 voltios/Bobinage de champ, 120V	1	1
23	108119-01	Ring, Field Support/Anillo soporte del campo/Bride du support de bobinage de champ	1	1
24	100933-02	Armature, 120V/Armadura de 120 voltios/Armature, 120V	1	1
25	075676	Bearing, Roller Sprocket/Rodamiento de la rueda dentada del rodillo/ Palier, pignon	1	1
26	107713-01	Gear, Sprocket/Rueda dentada/Engrenage du pignon	1	1
27	107707-01	Bolt, Guide Bar/Perno de la barra de guía/Vis de verrouillage du guide	2	2
28	107603-01	Cover, Side/Tapa lateral/Couvercle latéral	1	—
29	107608-01	Guard, Hand, Front/Protector frontal para la mano/Protecteur avant	1	1
30	107719-01	Tubing, .250/Tubería de 0,250/Tube, .250	1	1
31	107710-01	Nut, Guide Bar/Tuerca de la barra guía/Écrou de barre de guidage	2	2
32	108641-02	Assembly, Sprocket Cover/Conjunto tapa de la rueda dentada/ Ensemble de couvercle de pignon	1	1
33	107730-01	Filter, Oil ReserVoiR/Filtro del depósito de aceite/Filtre de réservoir d'huile	1	1
34	109701-01	Screw, Truss Head/Tornillo cabeza reforzada/Vis à tête bombée	1	1
35A	076905	Screw, Shoulder Pan - HD/Tornillo cabeza redondeada con tope- HD/ Vis à épaulement - HD	1	1
35B	108120-01	E-Ring/Anillo E/Joint en E	1	1
36	107615-01	Support, Sprocket/Soporte de la rueda dentada/Support de pignon	1	1
37	059606	Gear, Drive IIT 20DP/Engranaje impulsor IIT 20DP/Engrenage d'entraînement IIT 20DP	1	1
38	091375-03S	Chain, Saw (16"), Bulk Pack/Cadena de la sierra (16 pulgadas), empacado en cantidad/Scie mécanique (16 po), emballée en vrac	1	1

Continued/Continúa/À suivre

**PARTS LIST/LISTA DE REPUESTOS/LISTE DES PIÈCES**  
*Continued/Continúa/À suivre*

**MODELS/MODELOS/MODÈLES 107625-01, 107625-02, & 111174-01**

KEY NO./ NÚMERO CLAVE/N° DE REVOI	PART NO./ NÚMERO DE PARTE/ N° DE PIÈCE	DESCRIPTION/DESCRIPCIÓN/DESCRIPTION	QTY./CANTIDAD/QTÉ	
			107625-01 107625-02	111174-01
39	107595-01	Body, Pump/Cuerpo de la bomba/Corps de pompe	1	1
40	107700-01	Spring, Large Pump/Resorte de la bomba grande/	1	1
41	108186-01	Assembly, Cam Follower/Conjunto seguidor de leva/Ensemble de galet suiveur	1	1
<b>PARTS AVAILABLE - NOT SHOWN/PARTES DISPONIBLES - NO MOSTRADAS/PIÈCES DISPONIBLES - NON MONTRÉES</b>				
	079963-04	Scabbard/Vaina/Protège-lame	1	—
	111171-01	Scabbard/Vaina/Protège-lame	—	1
	111196-01	Bag, EL-8/Bolsa EL-8/Sac, EL-8	—	1
	107705-01	Owner's Manual/Manual del propietario/Manuel du propriétaire	1	1



**DO NOT RETURN  
 PRODUCT TO STORE.  
 CALL 1-800-858-8501 FOR  
 TECHNICAL ASSISTANCE.**

107705-01  
 Rev. V  
 08/06