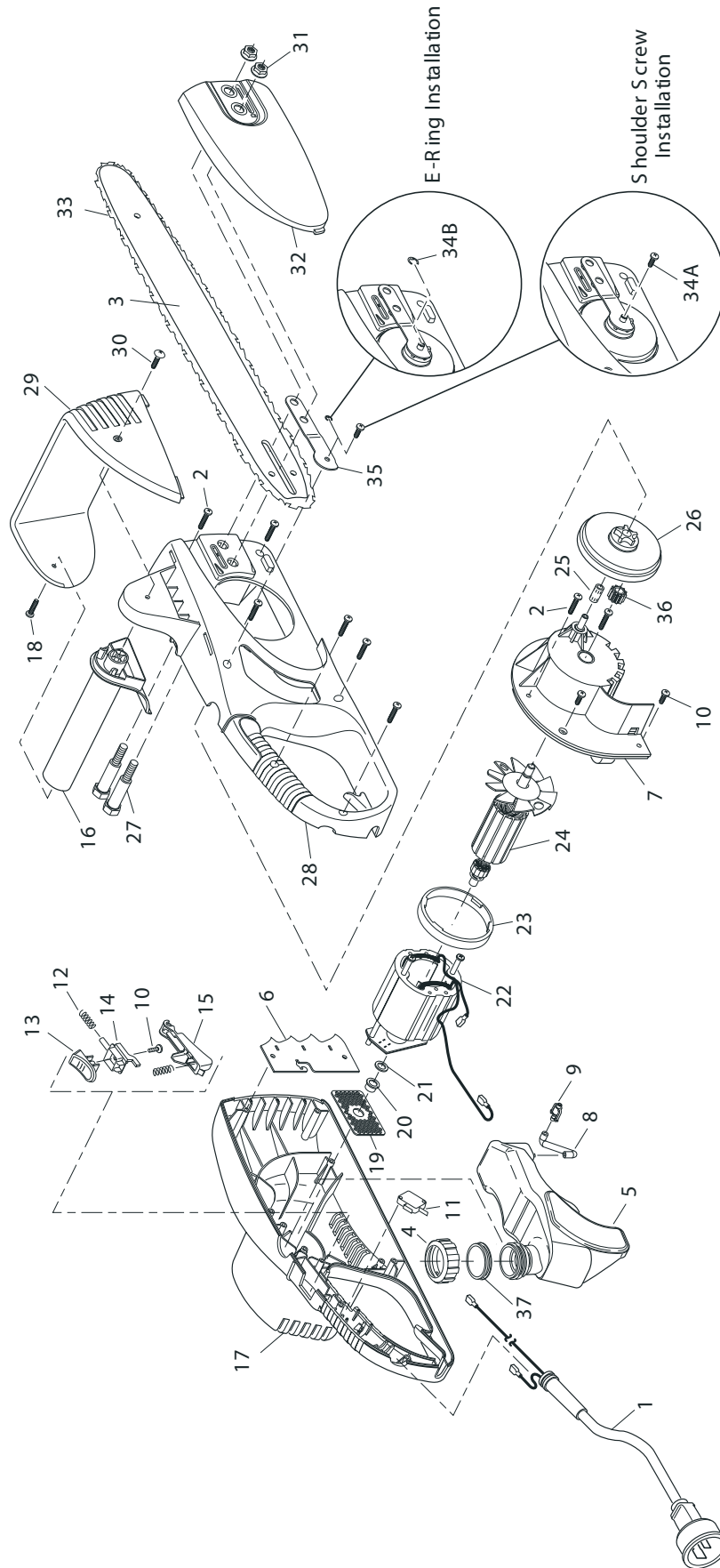


REMINGTON®

ELECTRIC CHAIN SAW

Illustrated Parts List

TYPE EL-8
 MODELS 107624-01 & 107624-02



REMINGTON®

ELECTRIC CHAIN SAW

Illustrated Parts List

TYPE EL-8
 MODELS 107624-01 & 107624-02

KEY	Part #	Description
1	099829-0 4	Shrouded Cord
2	107708-0 1	Scre w, PPH B 8-18 x .88
3	107704-0 2	Bar, Guide 16"
4	107610-0 2	Cap, Reservoir
5	107622-0 1	Reservoir, Oil
6	107617-0 1	Plate, Bucking
7	107607-0 1	Plate, Bearing
8	107719-0 1	Tubing, .250
9	107721-0 1	Retainer, Hose
10	107708-0 2	Scre w, PPH B 8-18 x .50
11	107729-0 1	Switch
12	107694-0 1	Spring, Trigger
13	107606-0 1	Lock-Off, Trigger
14	107693-0 1	Retainer, Lock-Off Trigger
15	107605-0 1	Trigger
16	107621-0 1	Handle
17	107602-0 2	Housing, Motor
18	107708-0 3	Scre w, PPH B 8-18 x .75
19	05942 8	Screen, Bearing
20	06798 7	Bearing, Flanged
21	05805 9	Washer, Thrust
22	098042-0 3	Field, 120V
23	108 119-01	Ring, Field Support
24	100933-0 3	Armature, 120V
25	075 676	Bearing, Roller Sprocket
26	107713-0 1	Sprocket
27	107707-0 1	Bolt, Guide Bar
28	107603-0 2	Cover, Side
29	107620-0 1	Guard, Hand, Front
30	109701-0 1	Scre w, Truss Head
31	107710-0 1	Nut, Guide Bar
32	108640-0 1	Assembly, Sprocket Cover
33	091375-02 S	Chain, Saw (16"), Bulk Pack
34A	07690 5	Scre w, Shoulder Pan - HD
34B	108120-0 1	E-Ring
35	107615-0 1	Support, Sprocket
36	05960 6	Gear, Drive II T 20DP
37	107623-0 1	Bulb, Squeeze
PARTS AVAILABLE - NOT SHOWN		
	079963-0 4	Scabbard