

# Comfort Glow<sup>®</sup>

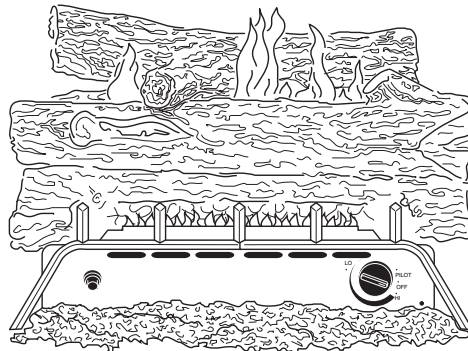
## UNVENTED (VENT-FREE) NATURAL GAS LOG HEATER

Variably Control Models Also Designed Certified as Vented Decorative Appliance)

This appliance may be installed in an aftermarket\* manufactured (mobile) home, where not prohibited by state or local codes.

\* Aftermarket: Completion of sale, not for purpose of resale, from the manufacturer

### OWNER'S OPERATION AND INSTALLATION MANUAL



CG3324NTA, CG3630NTA, CG2618NVA, CG3324NVA, and CG3630NVA  
Thermostat and Variably-Controlled Models

**WARNING:** If the information in this manual is not followed exactly, a fire or explosion may result causing property damage, personal injury, or loss of life.

- Do not store or use gasoline or other flammable vapors and liquids in the vicinity of this or any other appliance.
- **WHAT TO DO IF YOU SMELL GAS**
  - Do not try to light any appliance.
  - Do not touch any electrical switch; do not use any phone in your building.
  - Immediately call your gas supplier from a neighbor's phone. Follow the gas supplier's instructions.
  - If you cannot reach your gas supplier, call the fire department.
- Installation and service must be performed by a qualified installer, service agency, or the gas supplier.

**WARNING:** Improper installation, adjustment, alteration, service, or maintenance can cause injury or property damage. Refer to this manual for correct installation and operational procedures. For assistance or additional information consult a qualified installer, service agency, or the gas supplier.

**WARNING:** This gas log set is for installation in a masonry solid fuel burning fireplace, a U.L. listed manufactured solid fuel burning fireplace or an AGA design certified vent-free firebox listed for use with these gas log models.

**WARNING:** This is an unvented gas-fired heater. It uses air (oxygen) from the room in which it is installed. Provisions for adequate combustion and ventilation air must be provided. Refer to *Air for Combustion and Ventilation* section in this manual.

**Save this manual for future reference.**

# CONTENTS

SECTION	PAGE
Safety Information .....	2
Product Identification .....	4
Local Codes .....	4
Unpacking .....	4
Product Features .....	4
Air for Combustion and Ventilation .....	5
Installing .....	8
Check Gas Type .....	8
Installation and Clearances (Vent-Free Operation Only) .....	9
Installing Damper Clamp Accessory for Vented Operation .....	13
Installing Heater Base Assembly .....	14
Connecting to Gas Supply .....	16
Checking Gas Connections .....	17
Installing Logs .....	19
Operating Heater (Thermostat-Controlled Models) .....	20
Operating Heater (Variable Manually-Controlled Models) .....	22
Inspecting Burners .....	24
Cleaning and Maintenance .....	26
Troubleshooting .....	26
Optional Positioning of Thermostat Sensing Bulb .....	30
Technical Service .....	32
Specifications .....	32
Service Hints .....	32
Replacement Parts .....	33
Parts Central .....	33
Illustrated Parts Lists .....	34-37
Accessories .....	38
Warranty Information .....	Back Cover

# SAFETY INFORMATION

## WARNINGS

**IMPORTANT:** Read this owner's manual carefully and completely before trying to assemble, operate, or service this heater. Improper use of this heater can cause serious injury or death from burns, fire, explosion, electrical shock, and carbon monoxide poisoning.

### DANGER

**Carbon monoxide poisoning may lead to death!**

**Carbon Monoxide Poisoning:** Early signs of carbon monoxide poisoning resemble the flu, with headaches, dizziness, or nausea. If you have these signs, the heater may not be working properly. **Get fresh air at once!** Have heater serviced. Some people are more affected by carbon monoxide than others. These include pregnant women, people with heart or lung disease or anemia, those under the influence of alcohol, and those at high altitudes.

**Natural Gas:** Natural gas is odorless. An odor-making agent is added to the gas. The odor helps you detect a gas leak. However, the odor added to the gas can fade. Gas may be present even though no odor exists.

Make certain you read and understand all Warnings. Keep this manual for reference. It is your guide to safe and proper operation of this heater.

*Safety Information continues on next page*

# SAFETY INFORMATION

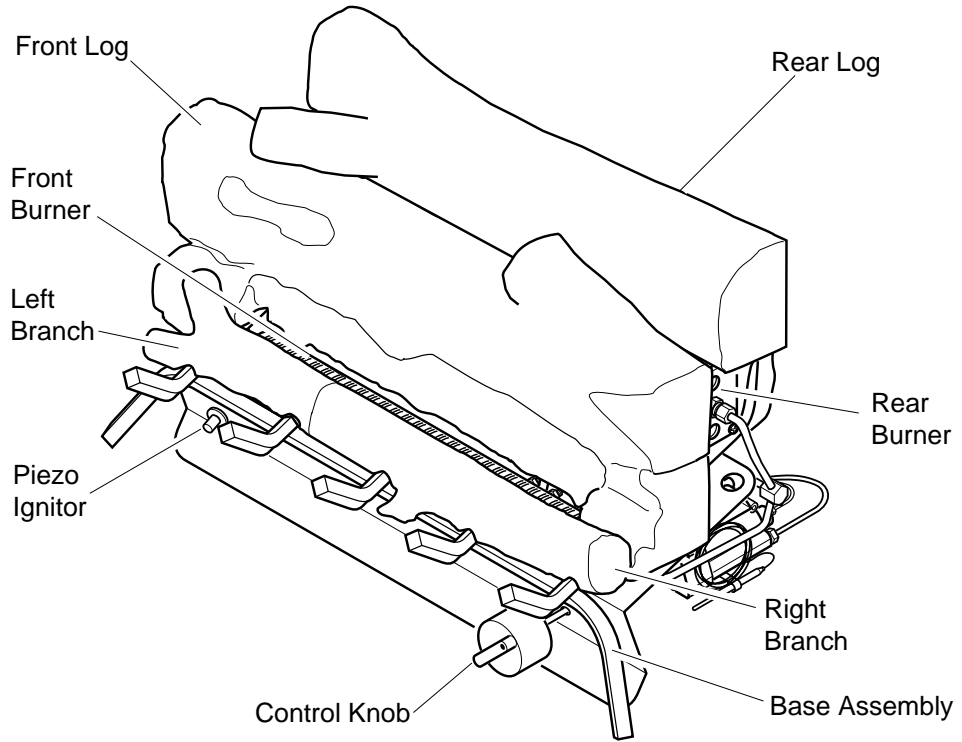
*Continued*

## WARNINGS *Continued*

**WARNING:** Any change to this heater or its controls can be dangerous.

1. This appliance is only for use with the type of gas indicated on the rating plate. This appliance is not convertible for use with other gases.
2. If you smell gas
  - shut off gas supply
  - do not try to light any appliance
  - do not touch any electrical switch; do not use any phone in your building
  - immediately call your gas supplier from a neighbor's phone. Follow the gas supplier's instructions
  - if you cannot reach your gas supplier, call the fire department
3. This heater shall not be installed in a bedroom or bathroom.
4. Never install the heater
  - in a recreational vehicle
  - where curtains, furniture, clothing, or other flammable objects are less than 36 inches from the front, top, or sides of the heater
  - in high traffic areas
  - in windy or drafty areas
5. Before installing in a solid fuel burning fireplace, the chimney flue and firebox must be cleaned of soot, creosote, ashes and loose paint by a qualified chimney cleaner. Creosote will ignite if highly heated. Inspect chimney flue for damage. If damaged, operate heater with flue damper closed.
6. If fireplace has glass doors, never operate this heater with glass doors closed. If you operate heater with doors closed, heat buildup inside fireplace will cause glass to burst. Also if fireplace opening has vents at the bottom, you must open the vents before operating heater.
7. You must operate this heater with a fireplace screen in place. Make sure fireplace screen is closed before running heater.
8. This log heater is designed to be smokeless. If logs ever appear to smoke, turn off heater and call a qualified service person. *Note:* During initial operation, slight smoking could occur due to log curing and heater burning manufacturing residues.
9. Do not allow fans to blow directly into the fireplace. Avoid any drafts that alter burner flame patterns. Ceiling fans can create drafts that alter burner flame patterns. Altered burner patterns can cause sooting.
10. Do not use a blower insert, heat exchanger insert or other accessory not approved for use with this heater.
11. This heater needs fresh, outside air ventilation to run properly. This heater has an oxygen depletion sensor (ODS) pilot light safety system. The ODS shuts down the heater if not enough fresh air is available. See *Air for Combustion and Ventilation*, pages 5 through 7. If heater keeps shutting off, see *Troubleshooting*, pages 26 through 29.
12. Do not run heater
  - where flammable liquids or vapors are used or stored
  - under dusty conditions
13. Do not use this heater to cook food or burn paper or other objects.
14. Never place any objects on the heater.
15. Heater base assembly becomes very hot when running heater. Keep children and adults away from hot surface to avoid burns or clothing ignition. Heater will remain hot for a time after shutdown. Allow surface to cool before touching.
16. Carefully supervise young children when they are in the room with heater.
17. Do not use heater if any part has been exposed to or under water. Immediately call a qualified service technician to inspect the room heater and to replace any part of the control system and any gas control which has been under water.
18. Do not operate heater if any log is broken. Do not operate heater if a log is chipped (dime-sized or larger).
19. Turn heater off and let cool before servicing. Only a qualified service person should service and repair heater.
20. Operating heater above elevations of 4,500 feet could cause pilot outage.

## PRODUCT IDENTIFICATION



**Figure 1 - Vent-Free Gas Log Heater**

## LOCAL CODES

Install and use heater with care. Follow all local codes. In the absence of local codes, use the latest edition of The National Fuel Gas Code ANSI Z223, also known as NFPA 54\*.

\*Available from: American National Standards Institute, Inc.  
1430 Broadway  
New York, NY 10018  
National Fire Protection Association, Inc.  
Batterymarch Park  
Quincy, MA 02269

**Note:** Where listed vented decorative logs are required, thermostat operation is not permitted.

## UNPACKING

1. Remove logs and heater base assembly from carton. **Note:** Do not pick up heater base assembly by burners. This could damage heater. Always handle base assembly by grate.
2. Remove all protective packaging applied to logs and heater for shipment.
3. Check all items for any shipping damage. If damaged, promptly inform dealer where you bought heater.

## PRODUCT FEATURES

### Operation

This heater is clean burning. It requires no outside venting. There is no heat loss out a vent or up a chimney. Heat is generated by both realistic flames and glowing coals. This heater is designed for vent-free operation with flue damper closed. State and local codes in some areas prohibit the use of vent-free heaters. You can operate heater as a vented product by opening flue damper.

### Safety Device

This heater has a pilot with an Oxygen Depletion Sensor Shutoff System (ODS). The ODS/pilot is a required feature for vent-free room heaters. The ODS/pilot shuts off the heater if there is not enough fresh air.

### Piezo Ignition System

This heater has a piezo ignitor. This system requires no matches, batteries, or other sources to light heater.

# AIR FOR COMBUSTION AND VENTILATION

## WARNING

**This heater shall not be installed in a confined space unless provisions are provided for adequate combustion and ventilation air. Read the following instructions to insure proper fresh air for this and other fuel-burning appliances in your home.**

Today's homes are built more energy efficient than ever. New materials, increased insulation, and new construction methods help reduce heat loss in homes. Home owners weather strip and caulk around windows and doors to keep the cold air out and the warm air in. During heating months, home owners want their homes as airtight as possible.

While it is good to make your home energy efficient, your home needs to breathe. Fresh air must enter your home. All fuel-burning appliances need fresh air for proper combustion and ventilation.

Exhaust fans, fireplaces, clothes dryers, and fuel burning appliances draw air from the house to operate. You must provide adequate fresh air for these appliances. This will insure proper venting of vented fuel-burning appliances.

### **PROVIDING ADEQUATE VENTILATION**

The following is excerpts from *National Fuel Gas Code, NFPA 54/ANSI Z223.1, Section 5.3, Air for Combustion and Ventilation*.

All spaces in homes fall into one of the three following ventilation classifications: 1. Unusually Tight Construction; 2. Unconfined Space; 3. Confined Space. The information on pages 5 through 7 will help you classify your space and provide adequate ventilation.

#### **Unusually Tight Construction**

The air that leaks around doors and windows may provide enough fresh air for combustion and ventilation. However, in buildings of unusually tight construction, you must provide additional fresh air.

**Unusually tight construction is defined as construction where:**

- a. walls and ceilings exposed to the outside atmosphere have a continuous water vapor retarder with a rating of one perm or less with openings gasketed or sealed *and***
- b. weather stripping has been added on openable windows and doors *and***
- c. caulking or sealants are applied to areas such as joints around window and door frames, between sole plates and floors, between wall-ceiling joints, between wall panels, at penetrations for plumbing, electrical, and gas lines, and at other openings.**

**If your home meets all of the three criteria above, you must provide additional fresh air. See *Ventilation Air From Outdoors*, page 7.**

**If your home does not meet all of the three criteria above, proceed to page 6.**

#### **Unconfined Space**

The *National Fuel Gas Code, ANSIZ223.1, 1992, Section 5.3* defines unconfined space as having a minimum air volume of 50 cubic feet (127 cubic cm) for each 1000 Btu/Hr input rating of all appliances in the space (cubic feet equals length x width x height of space). Include adjoining rooms only if there are doorless passageways or ventilation grills between the rooms.

#### **Confined Space**

The *National Fuel Gas Code, ANSIZ223.1, 1992, Section 5.3* defines confined space as having an air volume of less than 50 cubic feet (127 cubic cm) for each 1000 Btu/Hr input rating of all appliances in the space (cubic feet equals length x width x height of space). Include adjoining rooms only if there are doorless passageways or ventilation grills between the rooms.

*Continued*

# AIR FOR COMBUSTION AND VENTILATION

*Continued*

## DETERMINING AIR FLOW FOR HEATER LOCATION

### Determining if You Have a Confined or Unconfined Space

Use this work sheet to determine if you have a confined or unconfined space.

**Space:** Includes the room in which you will install heater plus any adjoining rooms with doorless passageways or ventilation grills between the rooms.

1. Determine the volume of the space (length x width x height).

Length x Width x Height = \_\_\_\_\_ cu. ft. (volume of space)

*Example:* Space size 20 ft. (length) x 16 ft. (width) x 8 ft. (ceiling height) =  
2560 cu. ft. (volume of space)

If additional ventilation to adjoining room is supplied with grills or openings, add the volume of these rooms to the total volume of the space.

2. Divide the space volume by 50 cubic feet to determine the maximum Btu/Hr the space can support.

\_\_\_\_\_ (volume of space) ÷ 50 cu. ft. = (Maximum Btu/Hr  
the space can support)

*Example:* 2560 cu. ft. (volume of space) ÷ 50 cu. ft. = 51.2 or 51,200 (maximum  
Btu/Hr the space can support)

3. Add the Btu/Hr of all fuel burning appliances in the space.

Vent-free heater	_____	Btu/Hr
Gas water heater*	_____	Btu/Hr
Gas furnace	_____	Btu/Hr
Vented gas heater	_____	Btu/Hr
Gas fireplace logs	_____	Btu/Hr
Other gas appliances*	+ _____	Btu/Hr
Total	= _____	Btu/Hr

*Example:*

Gas water heater		40,000	Btu/Hr
Vent-free heater	+	33,000	Btu/Hr
Total	=	73,000	Btu/Hr

\* Do not include direct-vent gas appliances. Direct-vent draws combustion air from the outdoors and vents to the outdoors.

4. Compare the maximum Btu/Hr the space can support with the actual amount of Btu/Hr used.

\_\_\_\_\_ Btu/Hr (maximum the space can support)  
\_\_\_\_\_ Btu/Hr (actual amount of Btu/Hr used)

*Example:* 51,200 Btu/Hr (maximum the space can support)  
73,000 Btu/Hr (actual amount of Btu/Hr used)

The space in the above example is a confined space because the actual Btu/Hr used is more than the maximum Btu/Hr the space can support. You must provide additional fresh air.

Your options are as follows:

- A. Rework worksheet, adding the space of an adjoining room. If the extra space provides an unconfined space, remove door to adjoining room or add ventilation grills between rooms. See *Ventilation Air From Inside Building*, page 7.
- B. Vent room directly to the outdoors. See *Ventilation Air From Outdoors*, page 7.
- C. Install a lower Btu/Hr heater, if lower Btu/Hr size makes room unconfined.

If the actual Btu/Hr used is less than the maximum Btu/Hr the space can support, the space is an unconfined space. You will need no additional fresh air ventilation.

# AIR FOR COMBUSTION AND VENTILATION

*Continued*

## ⚠ WARNING

If the area in which the heater may be operated is smaller than that defined as an unconfined space, provide adequate combustion and ventilation air by one of the methods described in the *National Fuel Gas Code, ANSI Z223.1, 1992, Section 5.3.*

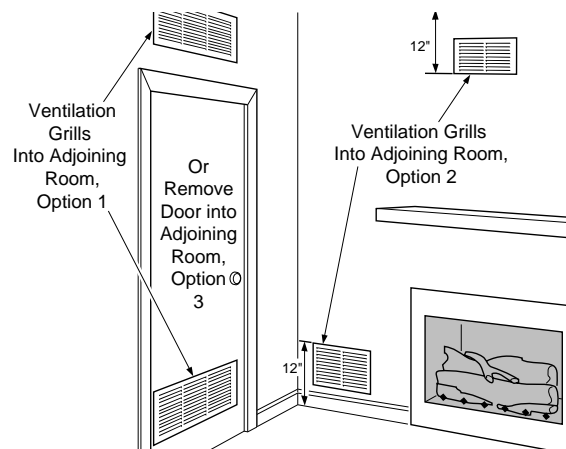
### VENTILATION AIR

#### Ventilation Air From Inside Building

This fresh air would come from an adjoining unconfined space. When ventilating to an adjoining unconfined space, you must provide two permanent openings: one within 12" of the ceiling and one within 12" of the floor on the wall connecting the two spaces (see options 1 and 2, Figure 2). You can also remove door into adjoining room (see option 3, Figure 2). Follow the *National Fuel Gas Code NFPA 54/ANSI Z223.1, Section 5.3, Air for Combustion and Ventilation* for required size of ventilation grills or ducts.

## ⚠ WARNING

Rework worksheet, adding the space of the adjoining unconfined space. The combined spaces must have enough fresh air to supply all appliances in both spaces.

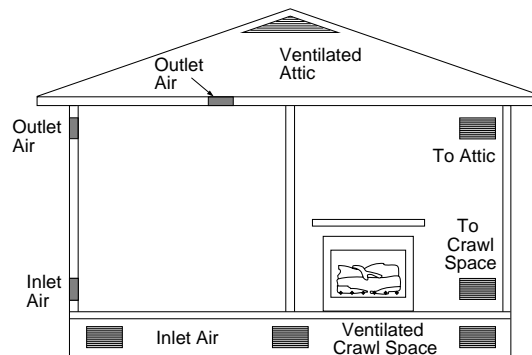


**Figure 2 - Ventilation Air from Inside Building**

#### Ventilation Air From Outdoors

Provide extra fresh air by using ventilation grills or ducts. You must provide two permanent openings: one within 12" of the ceiling and one within 12" of the floor. Connect these items directly to the outdoors or spaces open to the outdoors. These spaces include attics and crawl spaces.

**IMPORTANT:** Do not provide openings for inlet or outlet air into attic if attic has a thermostat-controlled power vent. Heated air entering the attic will activate the power



**Figure 3 - Ventilation Air from Outdoors**

# INSTALLING

## NOTICE

A qualified service person must install heater. Follow all local codes.

## NOTICE

State or local codes may only allow operation of this appliance in a vented configuration. Check your state or local codes.

## WARNING

Before installing in a solid fuel burning fireplace, the chimney flue and firebox must be cleaned of soot, creosote, ashes and loose paint by a qualified chimney cleaner. Creosote will ignite if highly heated. Inspect chimney flue for damage. If damaged, operate heater with flue damper closed.

## WARNING

Seal any fresh air vents or ash clean-out doors located on floor or wall of fireplace. If not, drafting may cause pilot outage or sooting. Use a heat-resistant sealant. Do not seal chimney flue damper.

## WARNING

Never install the heater

- in a bedroom or bathroom
- in a recreational vehicle
- where curtains, furniture, clothing, or other flammable objects are less than 36 inches from the front, top, or sides of the heater
- in high traffic areas
- in windy or drafty areas

## CAUTION

This heater creates warm air currents. These currents move heat to wall surfaces next to heater. Installing heater next to vinyl or cloth wall coverings or operating heater where impurities in the air (such as tobacco smoke) exist, may discolor walls.

*IMPORTANT:* Vent-free heaters add moisture to the air. Although this is beneficial, installing heater in rooms without enough ventilation air may cause mildew to form from too much moisture. See *Air for Combustion and Ventilation*, pages 5 through 7.

## CHECK GAS TYPE

Use only natural gas. If your gas supply is not natural gas, do not install heater. Call dealer where you bought heater for proper type heater.



# INSTALLING

*Continued*

## INSTALLATION AND CLEARANCES (Vent-Free Operation Only)

### WARNING

Maintain the minimum clearances. If you can, provide greater clearances from floor, ceiling, and adjoining wall.

### MINIMUM FIREPLACE CLEARANCE TO COMBUSTIBLE MATERIALS

Log Size	Side Wall	Ceiling
18", 24", 30"	16"	42"

### LOG SIZING REQUIREMENTS

Log Size	Minimum Firebox Size		
	Height	Depth	Front Width
18"	17"	14"	20"
24"	17"	14"	26"
30"	17"	14"	32"

Carefully follow the instructions below. This will ensure safe installation into a masonry or U.L. listed manufactured fireplace.

#### Minimum Wall and Ceiling Clearances (see Figure 4)

- A. Clearances from the side of the fireplace opening to any combustable wall should not be less than 16 inches.
- B. Clearances from the top of the fireplace opening to the ceiling should not be less than 42 inches.

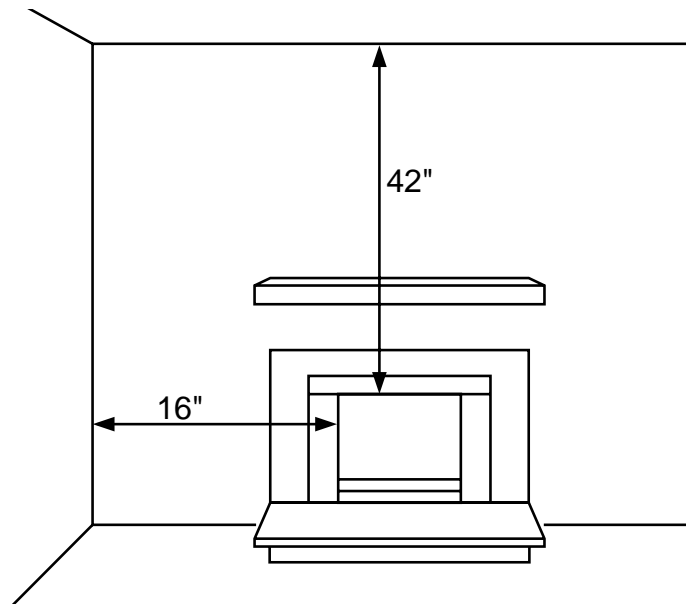


Figure 4 - Minimum Clearance to Wall and Ceiling

*Continued*

# INSTALLING

*Continued*

## NOTICE

Manual control heaters may be used as a vented product. If so, you must always run heater with chimney flue damper open. If running heater with damper open, non-combustible material above fireplace opening is not needed. Go to *Installing Damper Clamp Accessory for Vented Operation*, page 13.

### Minimum Non Combustible Material Clearances

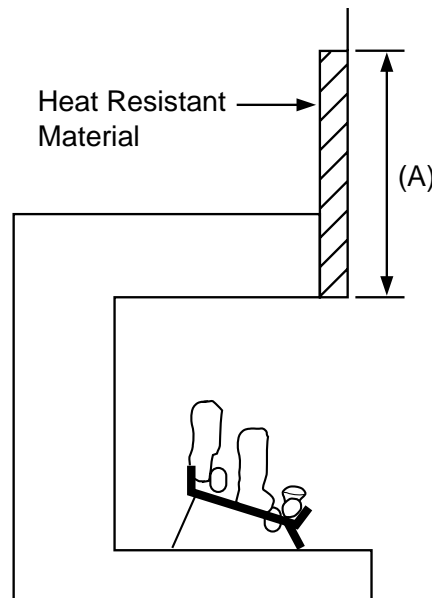
#### If Not Using Mantel

**Note:** If using a mantel, go to page 11. If not using a mantel, follow the information on this page.

You must have non combustible material(s) above the fireplace opening. Non combustible materials (such as slate, marble, tile, etc.) must be at least 1/2 inch thick. With sheet metal, you must have non combustible material behind it. Non combustible material must extend at least 8" up (for all models). If non combustible material is less than 12", you must install the fireplace hood accessory (24" and 30" models only). See chart below and Figure 5 for minimum clearances.

**IMPORTANT:** If you cannot meet these minimum clearances, you must operate heater with chimney flue damper open. Go to *Installing Damper Clamp Accessory for Vented Operation*, page 13.

Non-Combustible Material Distance (A)	Requirements for Safe Installation
12" or more	Non combustible material OK.
Between 8" and 12"	24" or 30" Models: Install fireplace hood accessory (GA6050 or GA6052, see <i>Accessories</i> , page 38). 18" Model: Non combustible material OK.
Less than 8"	Non-combustible material must be extended to at least 8". See <i>Between 8" and 12"</i> , above. If you cannot extend material, you must operate heater with flue damper open.



**Figure 5 - Heat Resistant Material (Slate, Marble, Tile, etc.) Above Fireplace**

# INSTALLING

*Continued*

## Minimum Non Combustible Material Clearances

### If Using Mantel

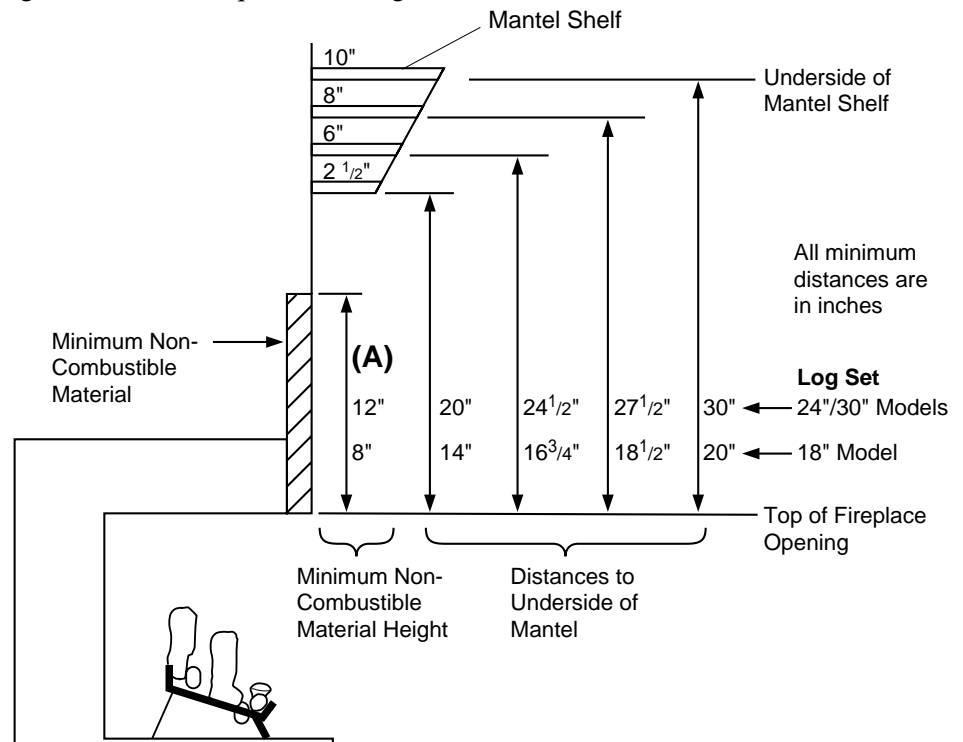
You must have non combustible material(s) above the fireplace opening. Non combustible materials (such as slate, marble, tile, etc.) must be at least 1/2 inch thick. With sheet metal, you must have non combustible material behind it. Non combustible material must extend at least 8 inches up (for all models). If non combustible material is less than 12", you must install the fireplace hood accessory (24" and 30" models only). Even if non combustible material is more than 12", you may need the hood accessory to deflect heat away from your mantel shelf. See chart below and Figures 6 and 7 for minimum clearances.

**IMPORTANT:** If you cannot meet these minimum clearances, you must operate heater with chimney flue damper open. Go to *Installing Damper Clamp Accessory for Vented Operation*, page 13.

Non-Combustible Material Distance (A)	Requirements for Safe Installation
12" or more	Non combustible material OK.
Between 8" and 12"	24" or 30" Models: Install fireplace hood accessory (GA6050 or GA6052, see <i>Accessories</i> , page 38). 18" Model: Non combustible material OK.
Less than 8"	Non combustible material must be extended to at least 8". See <i>Between 8" and 12"</i> , above. If you cannot extend material, you must operate heater with flue damper open.

### Mantel Clearances

If you meet minimum clearance between mantel shelf and top of fireplace opening, a hood is not required (see Figure 6).



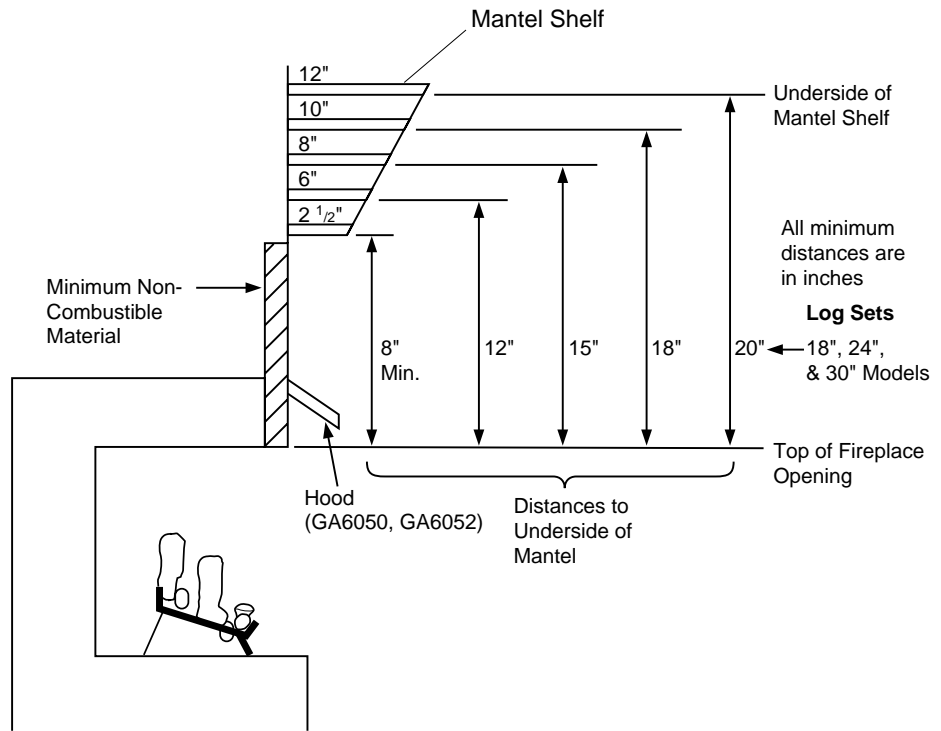
**Figure 6 - Minimum Mantel Clearances Without Using Hood**

If above minimum clearances are not met, you must have a hood. Follow minimum clearances shown in Figure 7 when using hood.

*Continued*

# INSTALLING

*Continued*



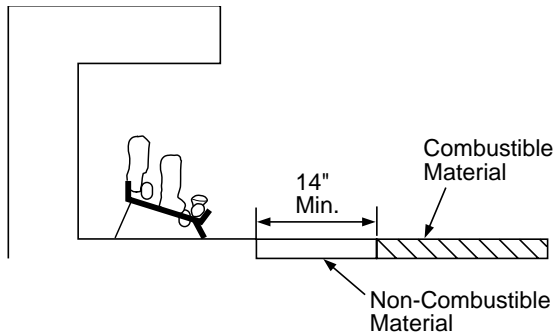
**Figure 7 - Minimum Mantel Clearances When Using Hood**

If your installation does not meet the above minimum clearances, you must:

- operate the logs only with the flue damper open, OR
- raise the mantel to an acceptable height, OR
- remove the mantel.

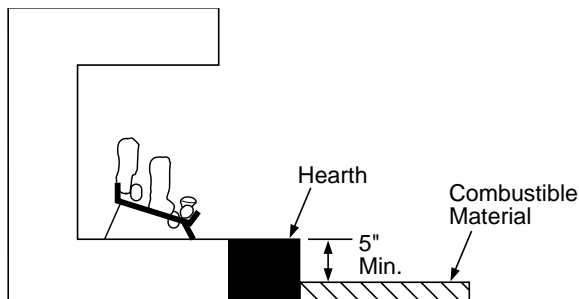
## Floor Clearances

A. If installing appliance on the floor level, you must maintain the minimum distance of 14" to combustibles (see Figure 8).



**Figure 8 - Minimum Fireplace Clearances If Installed at Floor Level**

B. If combustible materials are less than 14" to the fireplace, you must install appliance at least 5" above the combustible flooring (see Figure 9).



**Figure 9 - Minimum Fireplace Clearances Above Combustible Flooring**

# INSTALLING

*Continued*

## INSTALLING DAMPER CLAMP ACCESSORY FOR VENTED OPERATION

**Note:** When used as a vented heater, appliance must be installed only in a solid-fuel burning fireplace with a working flue and constructed of non combustible material.

If your heater is a manually controlled model, you may use this heater as a vented product. There are three reasons for operating your heater in the vented mode.

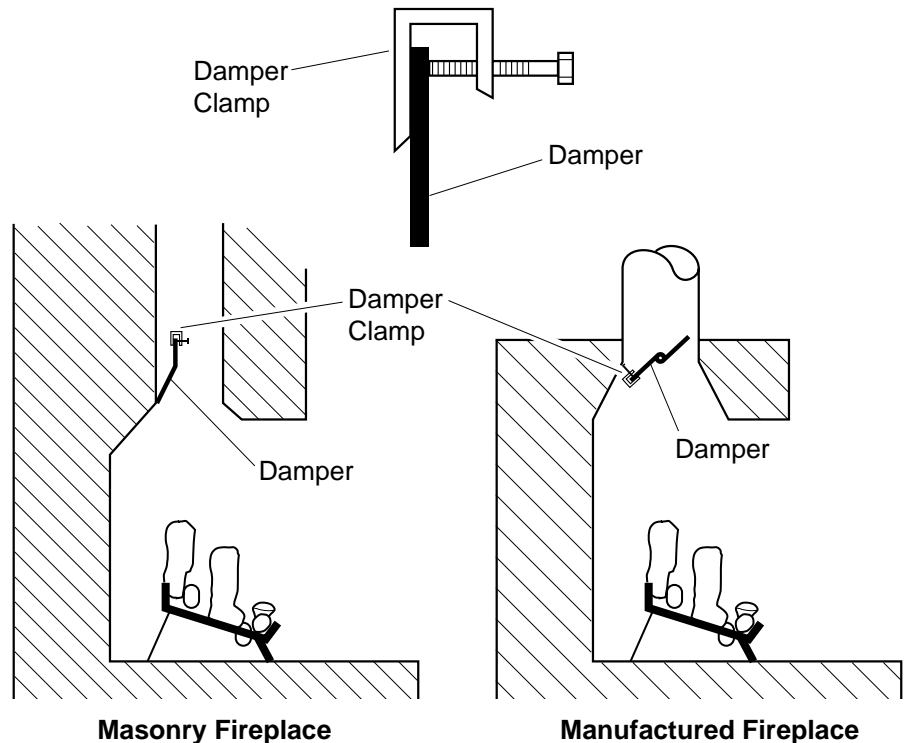
1. The fireplace does not meet the clearance to combustibles requirements for vent-free operation.
2. State or local codes do not permit vent-free operation.
3. You prefer vented operation.

If reasons number 1 or 2 above apply to you, you must permanently open chimney flue damper. You must install the damper clamp accessory (to order, see *Accessories*, page 31). This will insure vented operation (see Figure 10). The damper clamp will keep damper open. Installation instructions are included with clamp accessory.

See chart below for minimum permanent flue opening you must provide. Attach damper clamp so the minimum permanent flue opening will be maintained at all times.

Area of Various Standard Round Flues	
Diameter (ins.)	Area (sq. ins.)
5"	20 sq. inches
6"	29 sq. inches
7"	39 sq. inches
8"	51 sq. inches

Chimney Height (ft.)	Minimum Permanent Flue Opening (sq. ins.)
6' to 15'	39 sq. inches
15' to 30'	29 sq. inches



**Figure 10 - Attaching Damper Clamp**

# INSTALLING

*Continued*

## INSTALLING HEATER BASE ASSEMBLY

### **WARNING**

You must secure this heater to fireplace floor. If not, heater will move when you adjust controls. Moving heater may cause a gas leak.

### **WARNING**

If installing in a sunken fireplace, special care is needed. You must raise the fireplace floor to allow access to heater control panel. This will insure adequate air flow and guard against soot-ing. Raise fireplace floor with non-combustible material. Make sure material is secure.

### **CAUTION**

Do not pick up heater base assembly by burners. This could damage heater. Only handle base assembly by grates.

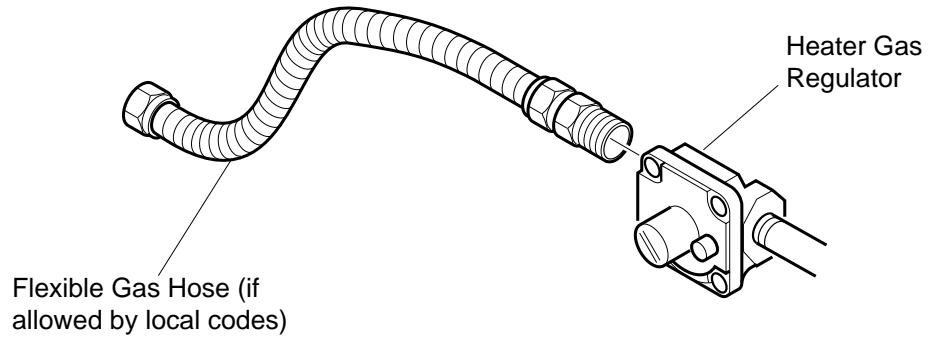
*IMPORTANT:* Make sure the heater burners are level. If heater is not level, heater will not work properly. For thermostat models, avoid damage to thermostat bulb. Avoid nicks or sharp bends in thermostat bulb wire. Keep thermostat bulb in mounting bracket.

#### **Installation Items Needed**

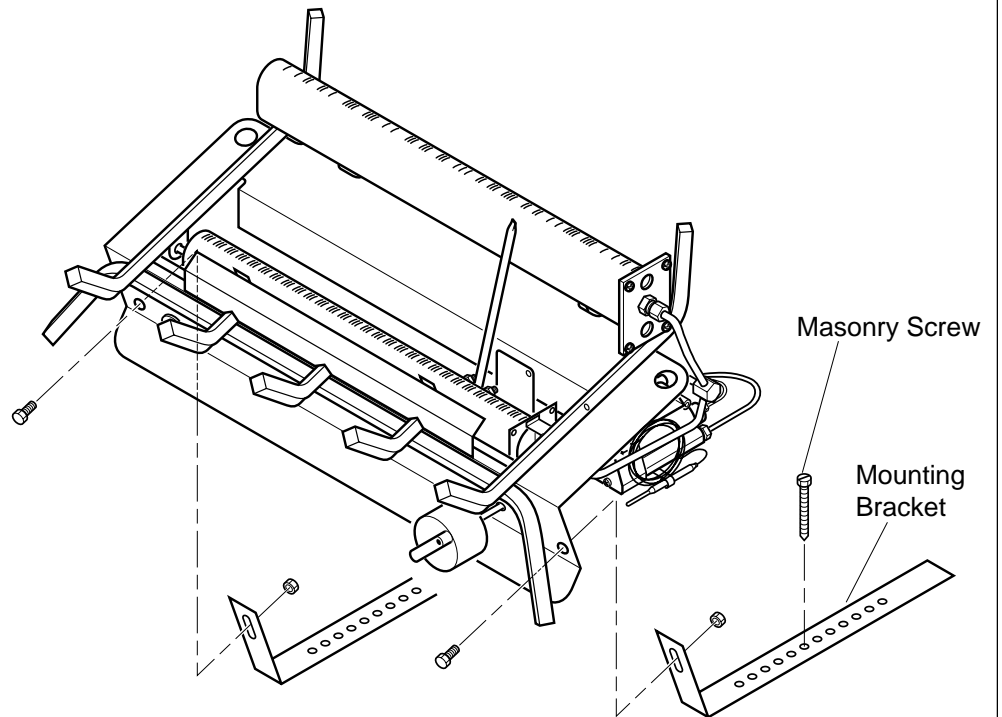
- hardware package (provided with heater)
  - approved flexible gas hose (not provided) (if allowed by local codes)
  - sealant (resistant to LP gas, not provided)
  - electric drill with 3/16" drill bit
1. Apply pipe joint sealant lightly to male threads of gas regulator. Connect approved flexible gas hose to gas regulator of heater (see Figure 11).  
*IMPORTANT:* Hold gas regulator with wrench when connecting flexible gas hose.
  2. Locate mounting brackets, bolts, and nuts in hardware package. Attach mounting brackets to heater base (see Figure 12). Attach nuts finger tight.
  3. Position heater base assembly in fireplace.
  4. Mark screw locations through holes in mounting brackets. If installing in a brick-bottom fireplace, mark screw locations in mortar joint of bricks.
  5. Remove heater base from fireplace. Remove mounting brackets from heater base.
  6. Drill holes at marked locations using 3/16" drill bit.
  7. Attach mounting brackets to fireplace floor using masonry screws (in hardware package).
  8. Reattach heater base to mounting brackets. Tighten nuts firmly.
  9. Connect to gas supply. See *Connecting To Gas Supply*, page 16.

# INSTALLING

*Continued*



**Figure 11 - Attaching Flexible Gas Hose to Heater Gas Regulator**



**Figure 12 - Attaching Mounting Brackets to Heater**

# INSTALLING

*Continued*

## CONNECTING TO GAS SUPPLY

### NOTICE

**A qualified service person must connect heater to gas supply. Follow all local codes.**

#### Installation Items Needed

Before installing heater, make sure you have the items listed below.

- piping (check local codes)
- sealant (resistant to LP gas)
- manual shutoff valve \*
- test gauge connection \*
- sediment trap
- tee joint
- pipe wrench

\* An A.G.A. design-certified manual shutoff valve with 1/8" NPT tap is an acceptable alternative to test gauge connection. Purchase the optional A.G.A. design-certified manual shutoff valve from your dealer. See *Accessories*, page 38.

### WARNING

**Never connect heater to private (non-utility) gas wells. This gas is commonly known as wellhead gas.**

### CAUTION

**Use only new, black iron or steel pipe. Internally-tinned copper tubing may be used in certain areas. Check your local codes. Use pipe of 1/2" diameter or greater to allow proper gas volume to heater. If pipe is too small, undue loss of pressure will occur.**

Installation must include a manual shutoff valve, union, and plugged 1/8" NPT tap. Locate NPT tap within reach for test gauge hook up. NPT tap must be upstream from heater (see Figure 13, page 17).

Apply pipe joint sealant lightly to male threads. This will prevent excess sealant from going into pipe. Excess sealant in pipe could result in clogged heater valves.

### CAUTION

**Use pipe joint sealant that is resistant to liquid petroleum (LP) gas.**

Install sediment trap in supply line as shown in Figure 13, page 17. Locate sediment trap where it is within reach for cleaning. Locate sediment trap where trapped matter is not likely to freeze. A sediment trap traps moisture and contaminants. This keeps them from going into heater controls. If sediment trap is not installed or is installed wrong, heater may not run properly.

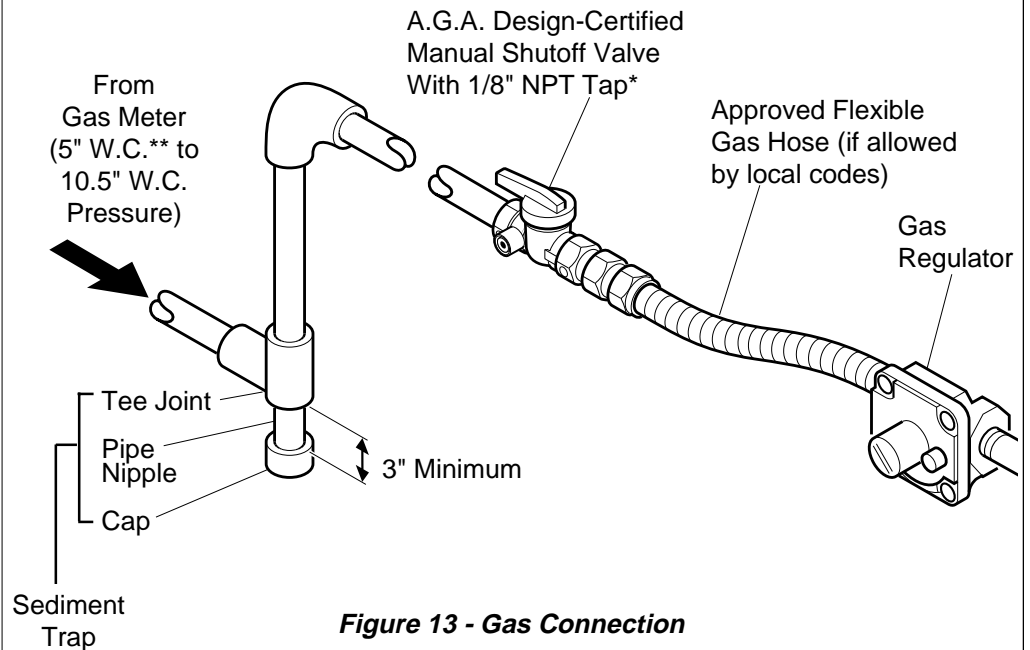


# INSTALLING

*Continued*

## CAUTION

**Avoid damage to regulator. Hold gas regulator with wrench when connecting it to gas piping and/or fittings.**



**Figure 13 - Gas Connection**

\* Purchase the optional A.G.A. design-certified manual shutoff valve from your dealer. See *Accessories*, page 38.

\*\* Minimum inlet pressure for purpose of input adjustment.

## CHECKING GAS CONNECTIONS

### WARNING

**Test all gas piping and connections for leaks after installing or servicing. Correct all leaks at once.**

### WARNING

**Never use an open flame to check for a leak. Apply a mixture of liquid soap and water to all joints. Bubbles forming show a leak. Correct all leaks at once.**

### Pressure Testing gas Supply Piping system

#### Test Pressures In Excess Of 1/2 PSIG

1. Disconnect heater and its individual manual shutoff valve from gas supply piping system. Pressures in excess of 1/2 psig will damage heater regulator.
2. Cap off open end of gas pipe where manual shutoff valve was connected.
3. Pressurize supply piping system by either using compressed air or opening main gas valve located on or near gas meter.
4. Check all joints of gas supply piping system. Apply mixture of liquid soap and water to gas joints. Bubbles forming show a leak.
5. Correct all leaks at once.
6. Re-connect heater and manual shutoff valve to gas supply. Check re-connected fittings for leaks.

*Continued*

# INSTALLING

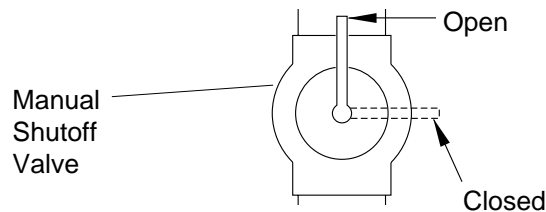
*Continued*

## Test Pressures Equal To or Less Than 1/2 PSIG

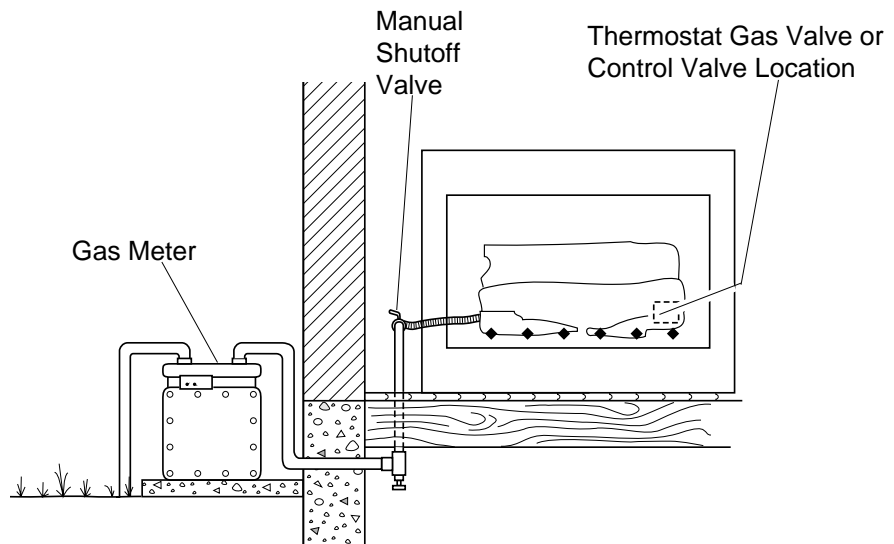
1. Close manual shutoff valve (see Figure 14).
2. Pressurize supply piping system by either using compressed air or opening main gas valve located on or near gas meter.
3. Check all joints from gas meter to manual shutoff valve (see Figure 15). Apply mixture of liquid soap and water to gas joints. Bubbles forming show a leak.
4. Correct all leaks at once.

## Pressure Testing Heater Gas Connections

1. Open manual shutoff valve (see Figure 14).
2. Open main gas valve located on or near gas meter.
3. Make sure control knob of heater is in the OFF position.
4. Check all joints from manual shutoff valve to thermostat gas valve (thermostat-controlled models) or control valve (variably-controlled models) (see Figure 15). Apply mixture of liquid soap and water to gas joints. Bubbles forming show a leak.
5. Correct all leaks at once.
6. Light heater (see *Operating Heater*, pages 20 through 22 [Thermostat-Controlled Models] or pages 22 through 24 [Variable Manually-Controlled Models]). Check all other internal joints for leaks.
7. Turn off heater (see *To Turn Off Gas to Appliance*, page 21 [Thermostat-Controlled Models] or page 24 [Variable Manually-Controlled Models]).



**Figure 14 - Manual Shutoff Valve**



**Figure 15 - Checking Gas Joints**

# INSTALLING

*Continued*

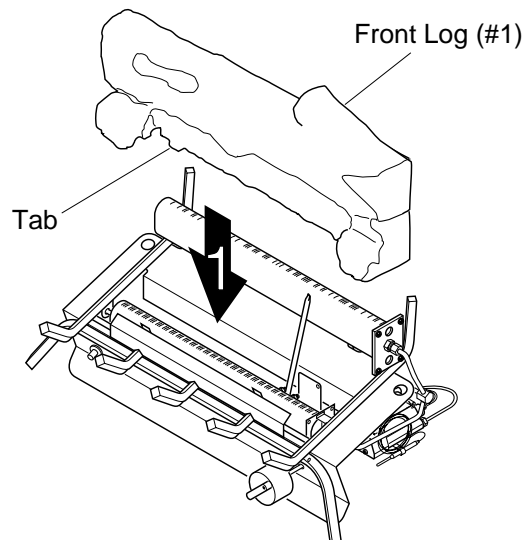
## INSTALLING LOGS

### WARNING

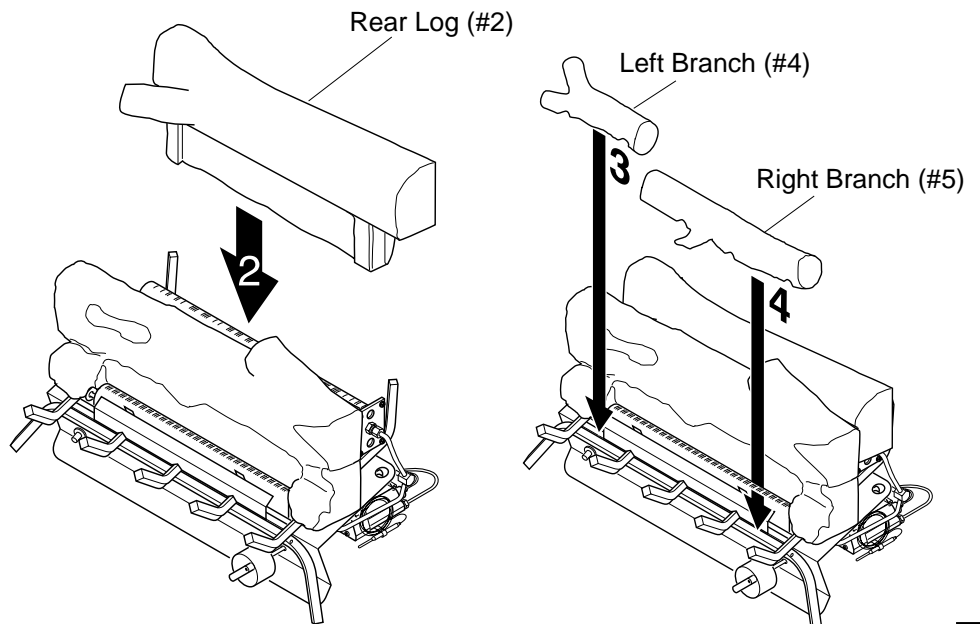
**Failure to position the parts in accordance with these diagrams or failure to use only parts specifically approved with this heater may result in property damage or personal injury.**

Each log is marked with a number. These numbers will help you identify the log when installing. It is very important to install these logs exactly as instructed. Do not modify logs. Only use logs supplied with heater.

1. Slide front log (#1) into place behind front burner. Make sure tabs at bottom of log are behind front burner (see Figure 16).
2. Slide rear log (#2) into place behind rear burner (see Figure 17).
3. Place left front branch (#4) and right front branch (#5) (24" and 30" models) or front branch (#4) (18" model) into place (see Figure 18). Make sure notches on bottom rest on grates.
4. Add lava rock around base of heater.



**Figure 16 - Installing Front Log**



**Figure 17 - Installing Rear Log**

**Figure 18 - Installing Rear Log**

# OPERATING HEATER

## Thermostat- Controlled Models

### FOR YOUR SAFETY READ BEFORE LIGHTING

#### WARNING

If you do not follow these instructions exactly, a fire or explosion may result causing property damage, personal injury or loss of life.

- A. This appliance has a pilot which must be lighted by hand. When lighting the pilot, follow these instructions exactly.
- B. **BEFORE LIGHTING** smell all around the appliance area for gas. Be sure to smell next to the floor because some gas is heavier than air and will settle on the floor.  
**WHAT TO DO IF YOU SMELL GAS**
  - Do not try to light any appliance.
  - Do not touch any electric switch; do not use any phone in your building.
  - Immediately call your gas supplier from a neighbor's phone. Follow the gas supplier's instructions.
  - If you cannot reach your gas supplier, call the fire department.
- C. Use only your hand to push in or turn the gas control knob. Never use tools. If the knob will not push in or turn by hand, don't try to repair it, call a qualified service technician or gas supplier. Force or attempted repair may result in a fire or explosion.
- D. Do not use this appliance if any part has been under water. Immediately call a qualified service technician to inspect the appliance and to replace any part of the control system and any gas control which has been under water.

### LIGHTING INSTRUCTIONS


#### WARNING

- If fireplace has glass doors, never operate this heater with glass doors closed. If you operate heater with doors closed, heat buildup inside fireplace will cause glass to burst. Also if fireplace opening has vents at the bottom, you must open the vents before operating heater.
- You must operate this heater with a fireplace screen in place. Make sure fireplace screen is closed before running heater.

#### NOTICE

During initial operation of new heater, burning logs will give off a paper-burning smell. Orange flame will also be present. Open damper or window to vent smell. This will only last a few hours.

**Note:** Homeowners generally prefer to operate their heater with the chimney damper closed. This will put all the heat into the room. However there may be times you will desire the full flames of the Hi heat setting but will find the heat output excessive. You can open the chimney damper (if you have one) fully or partially to release some of the heat. **WARNING:** Damper handle will be hot if heater has been running.

1. **STOP!** Read the safety information above.
2. Make sure manual shutoff valve is fully open.
3. Turn control knob clockwise  to the OFF position.

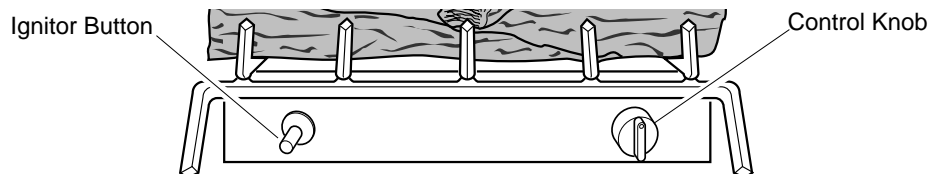



Figure 19 - Control Knob and Ignitor Button Location

# OPERATING HEATER

## Thermostat- Controlled Models

*Continued*

4. Wait five (5) minutes to clear out any gas. Then smell for gas, including near the floor. If you smell gas, STOP! Follow "B" in the safety information on page 20. If you don't smell gas, go to the next step.

5. Turn control knob counterclockwise  to the PILOT position. Press in control knob for five (5) seconds (see page 20).

**Note:** You may be running this heater for the first time after hooking up to gas supply. If so, the control knob may need to be pressed in for 30 seconds or less. This will allow air to bleed from the gas system.

6. With control knob pressed in, press and release ignitor button. This will light pilot. The pilot is attached to the front burner. If needed, keep pressing ignitor button until pilot lights.

**Note:** If pilot does not stay lit, contact a qualified service person or gas supplier for repairs. Until repairs are made, light pilot with match. To light pilot with match, see *Manual Lighting Procedure*, page 22.

7. Keep control knob pressed in for 30 seconds after lighting pilot. After 30 seconds, release control knob.

**Note:** If pilot goes out, repeat steps 3 through 7. This heater has a safety interlock system. Wait one (1) minute for system to reset before lighting pilot again.

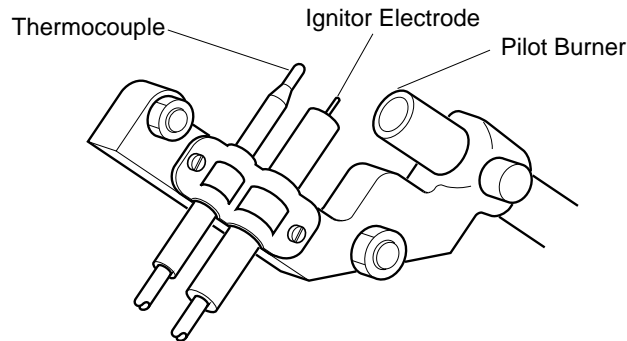



Figure 20 - Pilot

- If control knob does not pop out when released, contact a qualified service person or gas supplier for repairs.


8. Turn control knob counterclockwise  to desired heating level. The burners should light. Set control knob to any heat level between HI and LO.

## CAUTION


Do not try to adjust heating levels by using the manual shutoff valve.

## TO TURN OFF GAS TO APPLIANCE

### Shutting Off Heater

1. Turn control knob clockwise  to the OFF position.

### Shutting Off Burners Only (pilot stays lit)

1. Turn control knob clockwise  to the PILOT position.

# OPERATING HEATER

## Thermostat- Controlled Models

*Continued*

# OPERATING HEATER

## Variable Manually- Controlled Models

## THERMOSTAT CONTROL OPERATION

(Thermostat-Controlled Models Only)

The thermostat control knob can be set to any comfort level between Hi and Lo. The thermostat will gradually modulate the heat output and flame height from higher to lower settings, or pilot, in order to maintain the comfort level you select. The ideal comfort setting will vary by household depending upon the amount of space to be heated, the output of the central heating system, etc.

**Note:** Selecting the Hi setting with the control knob will cause the burner to remain fully on, without modulating down in most cases.

## MANUAL LIGHTING PROCEUDRE

1. Follow steps 1 through 5 under *Lighting Instructions*, pages 20 and 21.
2. Depress control knob and light pilot with match.
3. Keep control knob pressed in for 30 seconds after lighting pilot. After 30 seconds, release control knob. Now follow step 8, page 21.

## FOR YOUR SAFETY READ BEFORE LIGHTING

### WARNING

If you do not follow these instructions exactly, a fire or explosion may result causing property damage, personal injury or loss of life.

- A. This appliance has a pilot which must be lighted by hand. When lighting the pilot, follow these instructions exactly.
- B. **BEFORE LIGHTING** smell all around the appliance area for gas. Be sure to smell next to the floor because some gas is heavier than air and will settle on the floor.  
**WHAT TO DO IF YOU SMELL GAS**
  - Do not try to light any appliance.
  - Do not touch any electric switch; do not use any phone in your building.
  - Immediately call your gas supplier from a neighbor's phone. Follow the gas supplier's instructions.
  - If you cannot reach your gas supplier, call the fire department.
- C. Use only your hand to push in or turn the gas control knob. Never use tools. If the knob will not push in or turn by hand, don't try to repair it, call a qualified service technician or gas supplier. Force or attempted repair may result in a fire or explosion.
- D. Do not use this appliance if any part has been under water. Immediately call a qualified service technician to inspect the appliance and to replace any part of the control system and any gas control which has been under water.

## LIGHTING INSTRUCTIONS

### WARNING

- If fireplace has glass doors, never operate this heater with glass doors closed. If you operate heater with doors closed, heat buildup inside fireplace will cause glass to burst. Also if fireplace opening has vents at the bottom, you must open the vents before operating heater.
- You must operate this heater with a fireplace screen in place. Make sure fireplace screen is closed before running heater.

# OPERATING HEATER


## Variable Manually- Controlled Models

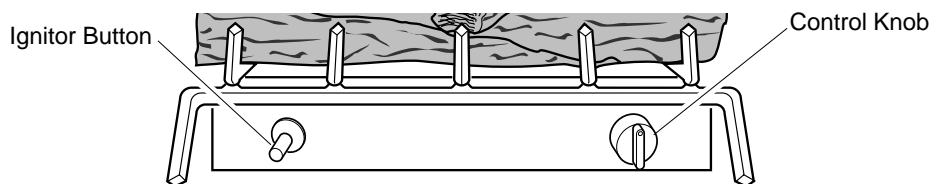
*Continued*

### NOTICE


During initial operation of new heater, burning logs will give off a paper-burning smell. Orange flame will also be present. Open damper or window to vent smell. This will only last a few hours.

**Note:** Homeowners generally prefer to operate their heater with the chimney damper closed. This will put all the heat into the room. However there may be times you will desire the full flames of the High heat setting but will find the heat output excessive. You can open the chimney damper (if you have one) fully or partially to release some of the heat. **WARNING:** Damper handle will be hot if heater has been running.

1. **STOP!** Read the safety information above.
2. Make sure manual shutoff valve is fully open.
3. Press in and turn control knob clockwise  to the OFF position.



**Figure 21 - Control Knob and Ignitor Button Location**

4. Wait five (5) minutes to clear out any gas. Then smell for gas, including near the floor. If you smell gas, **STOP!** Follow “B” in the safety information above. If you don’t smell gas, go to the next step.
5. Press in control knob and turn counterclockwise  to the PILOT position. Keep control knob pressed in for five (5) seconds (see Figure 21).

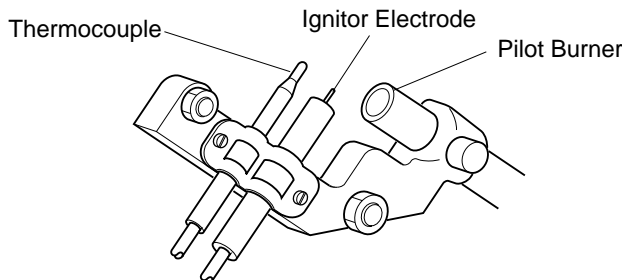
**Note:** You may be running this heater for the first time after hooking up to gas supply. If so, the control knob may need to be pressed in for 30 seconds. This will allow air to bleed from the gas system.

6. With control knob pressed in, press and release ignitor button. This will light pilot. The pilot is attached to the front burner. If needed, keep pressing ignitor button until pilot lights.

**Note:** If pilot does not light, contact a qualified service person or gas supplier for repairs. Until repairs are made, light pilot with match. To light pilot with match, see *Manual Lighting Procedure* on page 24.

7. Keep control knob pressed in for 30 seconds after lighting pilot. After 30 seconds, release control knob.

**Note:** If pilot goes out, repeat steps 3 through 7.



**Figure 22 - Pilot**

- If control knob does not pop out when released, contact a qualified service person or gas supplier for repairs.

8. Push in and turn control knob counterclockwise  to the HIGH position. Both burners should light. Set control knob to desired setting.

*Continued*

# OPERATING HEATER

## Variable Manually-Controlled Models

*Continued*

## VARIABLE CONTROL OPERATION

The variable control valve can be set to any heat setting and flame height desired, by simply turning the control knob until that setting is attained. Even the lowest setting provides realistic flames and glowing embers from two burners. Selecting higher settings produces greater heat output. This results in increased heating comfort.

### ⚠ WARNING




Do not operate heater between pilot and high.

### ⚠ CAUTION



Do not try to adjust heating levels by using the manual shutoff valve.

## TO TURN OFF GAS TO APPLIANCE

### Shutting Off Heater

1. Press in and turn control knob clockwise  to the HIGH position.
2. Turn the control knob clockwise  to the PILOT position.
3. Press in control knob and turn clockwise  to the OFF Position.

### Shutting Off Burners Only (pilot stays lit)

1. Turn the control knob clockwise  to the HIGH position.
2. Press in and turn control knob clockwise  to the pilot position.

## MANUAL LIGHTING PROCEDURE

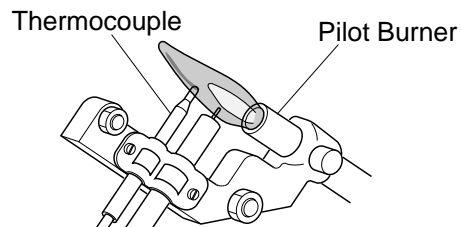
1. Follow steps 1 through 5 under *Lighting Instructions*, page 23.
2. Depress control knob and light pilot with match.
3. Keep control knob pressed in for 30 seconds after lighting pilot. After 30 seconds, release control knob. Now follow step 8, page 23.

## INSPECTING BURNERS

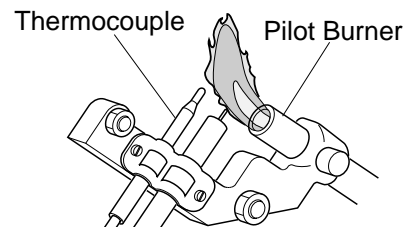
Check pilot flame pattern and burner flame patterns often.

### PILOT FLAME PATTERN

Figure 23 shows a correct pilot flame pattern. Figure 24 shows an incorrect pilot flame pattern. The incorrect pilot flame is not touching the thermocouple. This will cause the thermocouple to cool. When the thermocouple cools, the heater will shut down.



**Figure 23 - Correct Pilot Flame Pattern**



**Figure 24 - Incorrect Pilot Flame Pattern**

If pilot flame pattern is incorrect, as shown in Figure 24

- turn heater off (see *To Turn Off Gas to Appliance* [Thermostat-Controlled Models] page 21 or [Variable Manually-Controlled Models] above)
- see *Troubleshooting*, pages 26 through 29



# INSPECTING BURNERS

*Continued*

## FRONT BURNER FLAME PATTERN

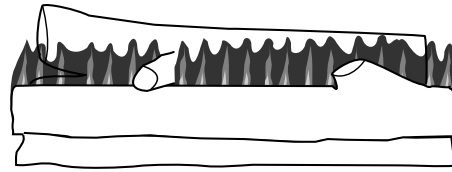
Figure 25 shows correct front burner flame pattern. Figure 26 shows incorrect front burner flame pattern. The incorrect burner flame pattern shows yellow tipping at top of blue flame.

### WARNING

If yellow tipping occurs, your heater could produce increased levels of carbon monoxide. If front burner flame pattern shows yellow tipping, follow instructions at bottom of this page. Yellow flame on rear burner is normal.

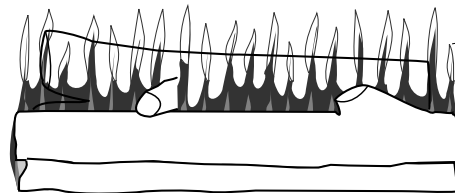
### NOTICE

Do not mistake orange flames with yellow tipping. Dirt or other fine particles are burned by heater, causing brief patches of orange flame.



CORRECT FLAME PATTERN AT HIGH POSITION

**Figure 25 - Correct Front Burner Flame Pattern**



Yellow  
Tipping  
At Top  
of Blue  
Flame

INCORRECT FLAME PATTERN AT HIGH POSITION

**Figure 26 - Incorrect Front Burner Flame Pattern**

If front burner flame pattern is incorrect, as shown in Figure 26

- turn heater off (see *To Turn Off Gas to Appliance* [Thermostat-Controlled Models] page 21 or [Variable Manually-Controlled Models] page 24)
- see *Troubleshooting*, pages 26 through 29

# CLEANING AND MAINTENANCE

## WARNING

Turn off heater and let cool before cleaning.

## CAUTION

You must keep control areas, burners, and circulating air passageways of heater clean. Inspect these areas of heater before each use. Have heater inspected yearly by a qualified service person. Heater may need more frequent cleaning due to excessive lint from carpeting, bedding material, etc.

### ODS/PILOT AND BURNERS

- Use a vacuum cleaner or small, soft bristled brush to clean.

### LOGS

- If you remove logs for cleaning, refer to *Installing Logs*, page 19, to properly replace logs.
- Replace log(s) if broken or chipped (dime-sized or larger).

# TROUBLE-SHOOTING

*Note:* All troubleshooting items are listed in order of operation.

## WARNING

Turn off and unplug heater and let cool before servicing. Only a qualified service person should service and repair heater.

## CAUTION

Never use a wire, needle, or similar object to clean ODS/pilot. This can damage ODS/pilot unit.

OBSERVED PROBLEM	POSSIBLE CAUSE	REMEDY
When ignitor button is pressed, there is no spark at ODS/pilot	1. Ignitor electrode not connected to ignitor cable	1. Reconnect ignitor cable
	2. Ignitor cable pinched or wet	2. Free ignitor cable if pinched by any metal or tubing. Keep ignitor cable dry
	3. Piezo ignitor nut is loose	3. Tighten nut holding piezo ignitor to base panel of log set. Nut is located behind base panel.
	4. Broken ignitor cable	4. Replace ignitor cable
	5. Bad piezo ignitor	5. Replace piezo ignitor
	6. Ignitor electrode broken	6. Replace piezo ignitor
	7. Ignitor electrode positioned wrong	7. Replace piezo ignitor

# TROUBLE-SHOOTING

*Continued*

OBSERVED PROBLEM	POSSIBLE CAUSE	REMEDY
When ignitor button is pressed, there is spark at ODS/pilot but no ignition	<ol style="list-style-type: none"> <li>1. Gas supply turned off or manual shutoff valve closed</li> <li>2. Control knob not in PILOT position</li> <li>3. Control knob not pressed in while in PILOT position</li> <li>4. Air in gas lines when installed</li> <li>5. ODS/pilot is clogged</li> <li>6. Gas regulator setting is not correct</li> </ol>	<ol style="list-style-type: none"> <li>1. Turn on gas supply or open manual shutoff valve</li> <li>2. Turn control knob to PILOT position</li> <li>3. Press in control knob while in PILOT position</li> <li>4. Continue holding down control knob. Repeat igniting operation until air is removed</li> <li>5. Clean ODS/pilot (see <i>Cleaning and Maintenance</i>, page 26) or replace ODS/pilot assembly</li> <li>6. Replace gas regulator</li> </ol>
ODS/pilot lights but flame goes out when control knob is released	<ol style="list-style-type: none"> <li>1. Control knob not fully pressed in</li> <li>2. Control knob not pressed in long enough</li> <li>3. Safety interlock system has been triggered (thermostat models only)</li> <li>4. Manual shutoff valve not fully open</li> <li>5. Pilot flame not touching thermocouple, which allows thermocouple to cool, causing pilot flame to go out. This problem could be caused by one or both of the following: A) Low gas pressure B) Dirty or partially clogged ODS/pilot</li> <li>6. Thermocouple connection loose at control valve</li> <li>7. Thermocouple damaged</li> <li>8. Control valve damaged</li> </ol>	<ol style="list-style-type: none"> <li>1. Press in control knob fully</li> <li>2. After ODS/pilot lights, keep control knob pressed in 30 seconds</li> <li>3. Wait one minute for safety interlock system to reset. Repeat ignition operation</li> <li>4. Fully open manual shutoff valve</li> <li>5. A) Contact local natural gas company  B) Clean ODS/pilot (see <i>Cleaning and Maintenance</i>, page 26) or replace ODS/pilot assembly</li> <li>6. Hand tighten until snug, then tighten 1/4 turn more</li> <li>7. Replace thermocouple</li> <li>8. Replace control valve</li> </ol>

*Continued*

# TROUBLE-SHOOTING

*Continued*

OBSERVED PROBLEM	POSSIBLE CAUSE	REMEDY
One or both burners do not light after ODS/pilot is lit	1. Burner orifice(s) clogged	1. Clean burner(s) (see <i>Cleaning and Maintenance</i> , page 26) or replace burner orifice(s)
	2. Inlet gas pressure is too low	2. Contact local natural gas company
	3. Mislocated crossover tube	3. Contact qualified service person
	4. Burner orifice(s) diameter is too small	4. Replace burner orifice(s)
Delayed ignition of one or both burners	1. Manifold pressure is too low	1. Contact local natural gas company
	2. Burner orifice(s) clogged	2. Clean burner(s) (see <i>Cleaning and Maintenance</i> , page 26) or replace burner orifice(s)
	3. Mislocated crossover tube	3. Contact qualified service person
Burner backfiring during combustion	1. Burner orifice is clogged or damaged	1. Clean burner (see <i>Cleaning and Maintenance</i> , page 26) or replace burner orifice
	2. Damaged burner	2. Replace damaged burner
	3. Gas regulator defective	3. Replace gas regulator
Yellow flame in front burner during burner combustion	1. Not enough air	1. Check burner(s) for dirt and debris. If found, clean burner(s) (see <i>Cleaning and Maintenance</i> , page 26)
	2. Gas regulator defective	2. Replace gas regulator
Slight smoke or odor during initial operation	1. Residues from manufacturing processes and logs curing	1. Problem will stop after a few hours of operation
Moisture/condensation noticed on windows	1. Not enough combustion/ventilation air	1. Refer to <i>Air for Combustion and Ventilation</i> requirements (page 5)
Heater produces a whistling noise when burners are lit	1. Turning control knob to HI position when burners are cold	1. Turn control knob to LO position and let warm up for a minute
	2. Air in gas line	2. Operate burners until air is removed from line. Have gas line checked by local natural gas company
	3. Air passageways on heater blocked	3. Observe minimum installation clearances (see pages 9-12)
	4. Dirty or partially clogged burner orifice(s)	4. Clean burners (see <i>Cleaning and Maintenance</i> , page 26) or replace burner orifice(s)

# TROUBLE-SHOOTING

*Continued*

## WARNING

If you smell gas

- Shut off gas supply.
- Do not try to light any appliance.
- Do not touch any electrical switch; do not use any phone in your building.
- Immediately call your gas supplier from a neighbor's phone. Follow the gas supplier's instructions.
- If you cannot reach your gas supplier, call the fire department.

*IMPORTANT:* Operating heater where impurities in air exist may create odors. Cleaning supplies, paint, paint remover, cigarette smoke, cements and glues, new carpet or textiles, etc., create fumes. These fumes may mix with combustion air and create odors. These odors will disappear over time.

OBSERVED PROBLEM	POSSIBLE CAUSE	REMEDY
Heater produces a clicking/ticking noise just after burners are lit or shut off	1. Metal expanding while heating or contracting while cooling	1. This is common with most heaters. If noise is excessive, contact qualified service person
Heater produces unwanted odors	1. Heater burning vapors from paint, hair spray, glues, cleaners, chemicals, new carpet, etc. (See <i>IMPORTANT</i> statement above) 2. Gas leak. <b>See Warning statement at top of page</b>	1. Open window and ventilate room. Stop using odor causing products while heater is running 2. Locate and correct all leaks (see <i>Checking Gas Connections</i> , page 17)
Heater shuts off in use (ODS operates)	1. Not enough fresh air is available 2. Low line pressure 3. ODS/pilot is partially clogged	1. Open window and/or door for ventilation 2. Contact local natural gas company 3. Clean ODS/pilot (see <i>Cleaning and Maintenance</i> , page 26)
Gas odor even when control knob is in OFF position	1. Gas leak. <b>See Warning statement at top of page</b> 2. Control valve defective	1. Locate and correct all leaks (see <i>Checking Gas Connections</i> , page 17) 2. Replace control valve
Gas odor during combustion	1. Foreign matter between control valve and burner 2. Gas leak. <b>See Warning statement at top of page</b>	1. Take apart gas tubing and remove foreign matter 2. Locate and correct all leaks (see <i>Checking Gas Connections</i> , page 17)
<b>Thermostat Models Only:</b> Log set cycles to pilot, but room temperature drops to a lower than ideal level before log set comes back on	1. Thermostat sensing bulb needs to be repositioned	1. Reposition thermostat sensing bulb (see <i>Instructions for Optional Positioning of Thermostat Sensing Bulb</i> , page 30)

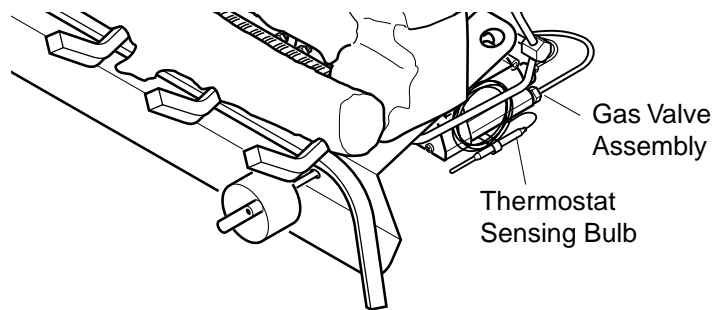
# OPTIONAL POSITIONING OF THERMOSTAT SENSING BULB For Masonry and Factory-built Metal Fireplace

If your log set cycles to pilot, but the room temperature drops to a lower than ideal comfort level before the log set comes back on, you may want to reposition the thermostat sensing bulb.

The thermostat sensing bulb is located on the gas valve assembly. This location allows the thermostat to keep the room temperature at an ideal comfort level for most fireplace applications. For positioning the thermostat sensing bulb elsewhere, an adhesive-backed mounting clip has been provided.

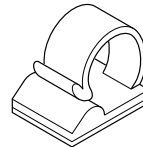
Tools needed: 5/16" hex driver or socket

1. Locate the gas valve assembly and thermostat sensing bulb (see Figure 27).



**Figure 27 - Location of Gas Valve Assembly and Thermostat Sensing Bulb**

2. The adhesive-backed mounting clip (see Figure 28) is attached to the thermostat sensing bulb. Remove the adhesive-backed mounting clip.

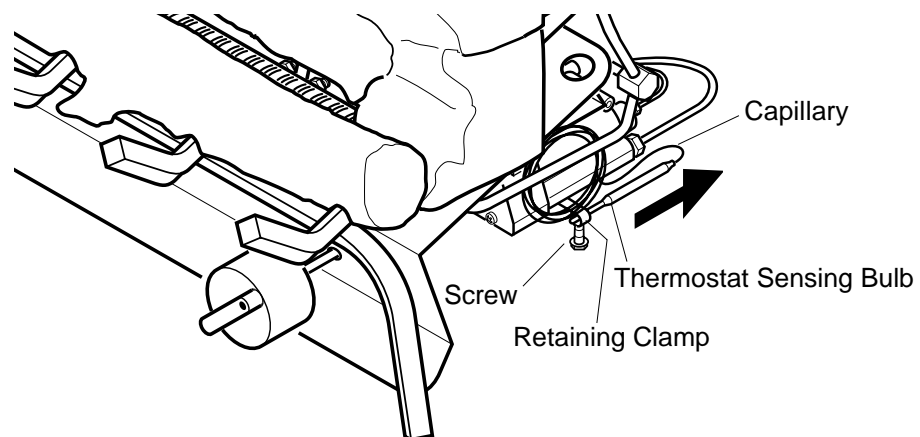


**Figure 28 - Adhesive-backed Mounting Clip**

3. With 5/16" hex driver or socket, loosen the thermostat screw. Carefully slide the thermostat sensing bulb out of the retaining clamp (see Figure 29).

**Note:** Do not remove the screw. Make sure you tighten the screw after removing the thermostat sensing bulb.

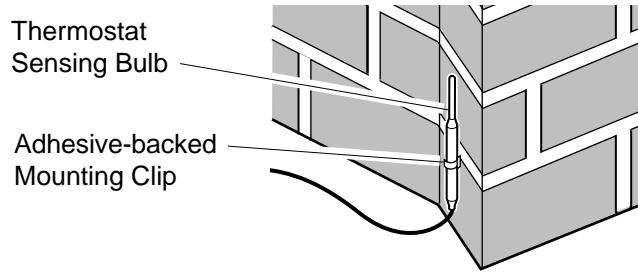
**IMPORTANT:** Do not force or bend the thermostat sensing bulb or capillary. A crimped capillary will not allow thermostat to operate properly. It cannot be repaired, the valve must be replaced.



**Figure 29 - Removing Thermostat Sensing Bulb**

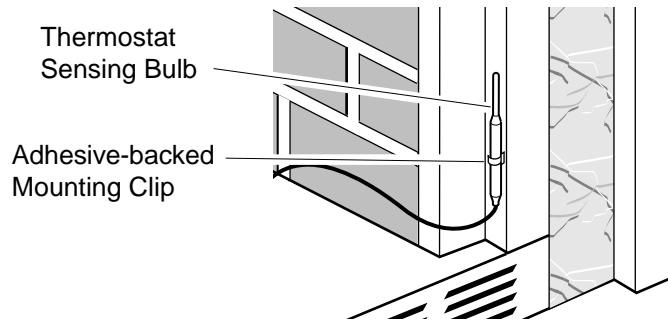
4. The thermostat sensing bulb may be located to the lower right front side of fireplace. Determine location of sensing bulb, but do not mount sensing bulb until step 5. If you have a masonry fireplace, see Figure 30 for location.

**OPTIONAL  
POSITIONING  
OF THERMOSTAT  
SENSING BULB  
For Masonry and  
Factory-built  
Metal Fireplace**  
*Continued*



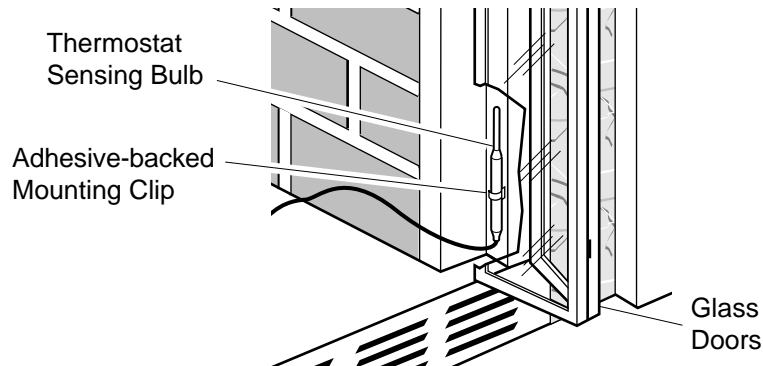
**Figure 30 - Locating Thermostat Sensing Bulb on Masonry Fireplace**

If you have a factory-built metal fireplace, see Figure 31 for location.



**Figure 31 - Locating Thermostat Sensing Bulb on Factory-built Metal Fireplace**

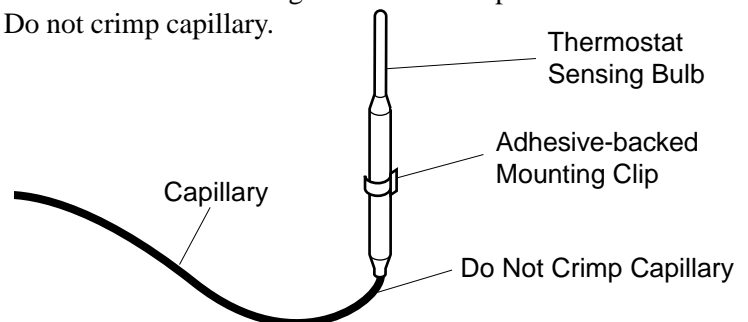
If your fireplace has glass doors, position sensing bulb directly behind door gap on right bottom side (see Figure 32).



**Figure 32 - Installing Thermostat Sensing Bulb behind Glass Doors**

- The mounting clip must be a minimum of 3" from bottom of fireplace to prevent crimping of capillary. Once you have decided on a location, clean the area thoroughly. Remove the paper backing from the adhesive on back of mounting clip. Press the clip into the new location so that the thermostat sensing bulb will be positioned vertically with the capillary at the bottom (see Figure 33). Slide the thermostat sensing bulb into the clip.

**IMPORTANT:** Do not crimp capillary.



**Figure 33 - Positioning the Thermostat Sensing Bulb in the Vertical Position with the Capillary at the Bottom**

# TECHNICAL SERVICE

## SPECIFICATIONS

You may have further questions about installation, operation, or troubleshooting. If so, contact DESA International's Technical Service Department at 1-800-DESA LOG (1-800-337-2564).

	<b>CG3324NTA</b>	<b>CG3630NTA</b>
Btu (Variable)	20,000/33,000	21,500/36,000
Type Gas	Natural Gas Only	Natural Gas Only
Ignition	Piezo	Piezo
Pressure	3.4" W.C.	3.4" W.C.
Inlet Gas Pressure (in. of water)		
Maximum	10.5"	10.5"
Minimum*	5"	5"
* For purpose of input adjustment		
Shipping Weight	38 lbs.	40 lbs.

	<b>CG2618NVA</b>	<b>CG3324NVA</b>	<b>CG3630NVA</b>
Btu (Variable)	16,000/26,000	20,000/33,000	21,500/36,000
Type Gas	Natural Gas Only	Natural Gas Only	Natural Gas Only
Ignition	Piezo	Piezo	Piezo
Pressure	3.4" W.C.	3.4" W.C.	3.4" W.C.
Inlet Gas Pressure (in. of water)			
Maximum	10.5"	10.5"	10.5"
Minimum*	5"	5"	5"
* For purpose of input adjustment			
Shipping Weight	36 lbs.	38 lbs.	40 lbs.

## SERVICE HINTS

### When gas pressure is too low

- pilot will not stay lit
- burners will have delayed ignition
- heater will not produce specified heat

### When gas quality is bad

- pilot will not stay lit
- burners will produce flames and soot
- heater will backfire when lit

You may feel your gas pressure is too low or gas quality is bad. If so, contact your local natural gas supplier.



# REPLACEMENT PARTS

*Note:* Use only original replacement parts. This will protect your warranty coverage for parts replaced under warranty.

## Parts Under Warranty

Contact authorized dealers of this product. If they can't supply original replacement part(s), call DESA International's Technical Service Department at 1-800-323-5190.

When calling DESA International, have ready

- your name
- your address
- model number of your heater
- how heater was malfunctioning
- type of gas used (propane/LP or natural gas)
- purchase date

Usually, we will ask you to return the defective part to the factory.

## Parts Not Under Warranty

Contact authorized dealers of this product. If they can't supply original replacement part(s), either contact your nearest Parts Central (see below) or call DESA International's Parts Department at 1-800-972-7879 for referral information.

When calling DESA International, have ready

- model number of your heater
- the replacement part number

These Parts Centrals are privately owned businesses. They have agreed to support our customer's needs by providing original replacement parts and accessories.

When calling a Parts Central, ask for the Parts Department.

# PARTS CENTRALS

### **Baltimore Electric**

1348 Dixwell Avenue  
Hamden, CT 06514  
1-800-397-7553  
203-248-7553  
Parts Department

### **Portable Heater Parts**

342 N. County Rd. 400 East  
Valparaiso, IN 46383  
All States  
219-462-7441  
1-800-362-6951  
Parts Department

### **F B D**

P. O. Box 1096  
1720 Kummer Road  
Franklin, KY 42134  
502-586-1922  
1-800-654-8534

### **Four Flags Power Products**

1115 Stateline Road  
Niles, MI 49120  
616-684-2697  
Parts Only

### **Master Parts Distributors**

1184 Wilson Ave. NW  
Walker, MI 49504  
616-791-0505  
US 1-800-446-1446  
Fax: 616-791-8270  
Parts Department

### **Washer Equipment Co.**

1715 Main Street  
Kansas City, MO 64108  
KS, MO, AR  
816-842-3911  
Parts Department

### **East Coast Energy Products**

707 Broadway  
W. Long Branch, NJ  
07764  
908-870-8809  
1-800-755-8809  
Parts Department

### **Tarantin Tank Co.**

P.O. Box 6129  
Freehold, NJ 07728  
908-780-9340  
1-800-922-0724  
Parts Department

### **Albany Ladder**

1586-90 Central Avenue  
Albany, NY 07728  
NY, MA, VT  
1-800-354-7368  
518-869-5335  
Parts Department

### **Dayton Hardware**

P.O. Box 275  
North Dayton Station  
Dayton, OH 45404  
All States  
513-258-3721  
OH 1-800-762-3426  
Parts Department

### **Halco Enterprises**

208 Carter Drive, Unit 21  
West Chester, PA 19382  
610-430-7717  
US 1-800-368-0803  
Parts Department

### **LA Porte's Parts & Service**

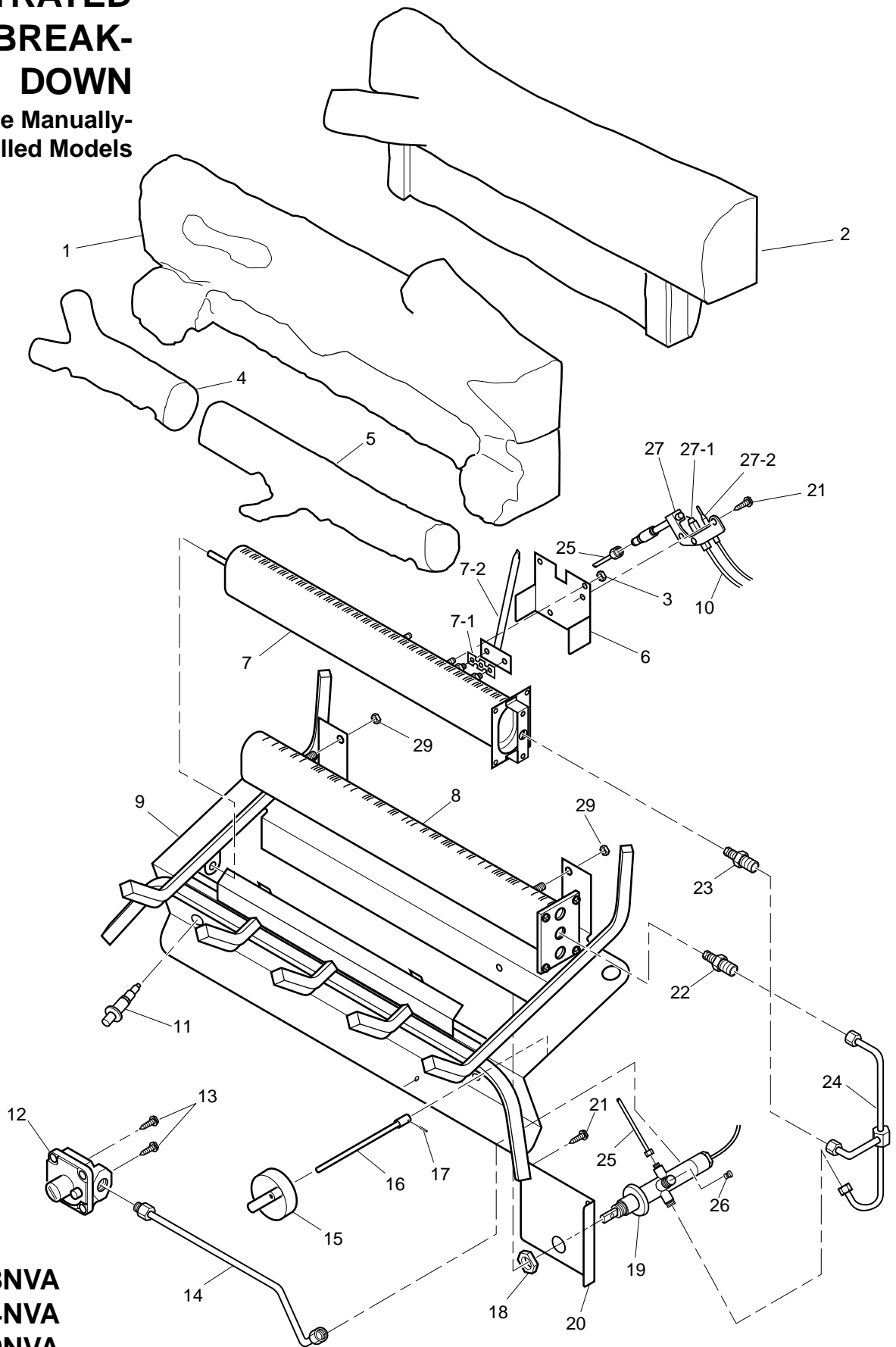
2444 North 5th Street  
Hartsville, SC 29550  
803-332-0191  
Parts Department

### **Cans Unlimited, Inc.**

P.O. Box 645  
Taylor, SC 29687  
All States  
803-879-3009  
1-800-845-5301  
Parts Department

# ILLUSTRATED PARTS BREAK- DOWN

Variable Manually-  
Controlled Models



**CG2618NVA**  
**CG3324NVA**  
**CG3630NVA**

# PARTS LIST

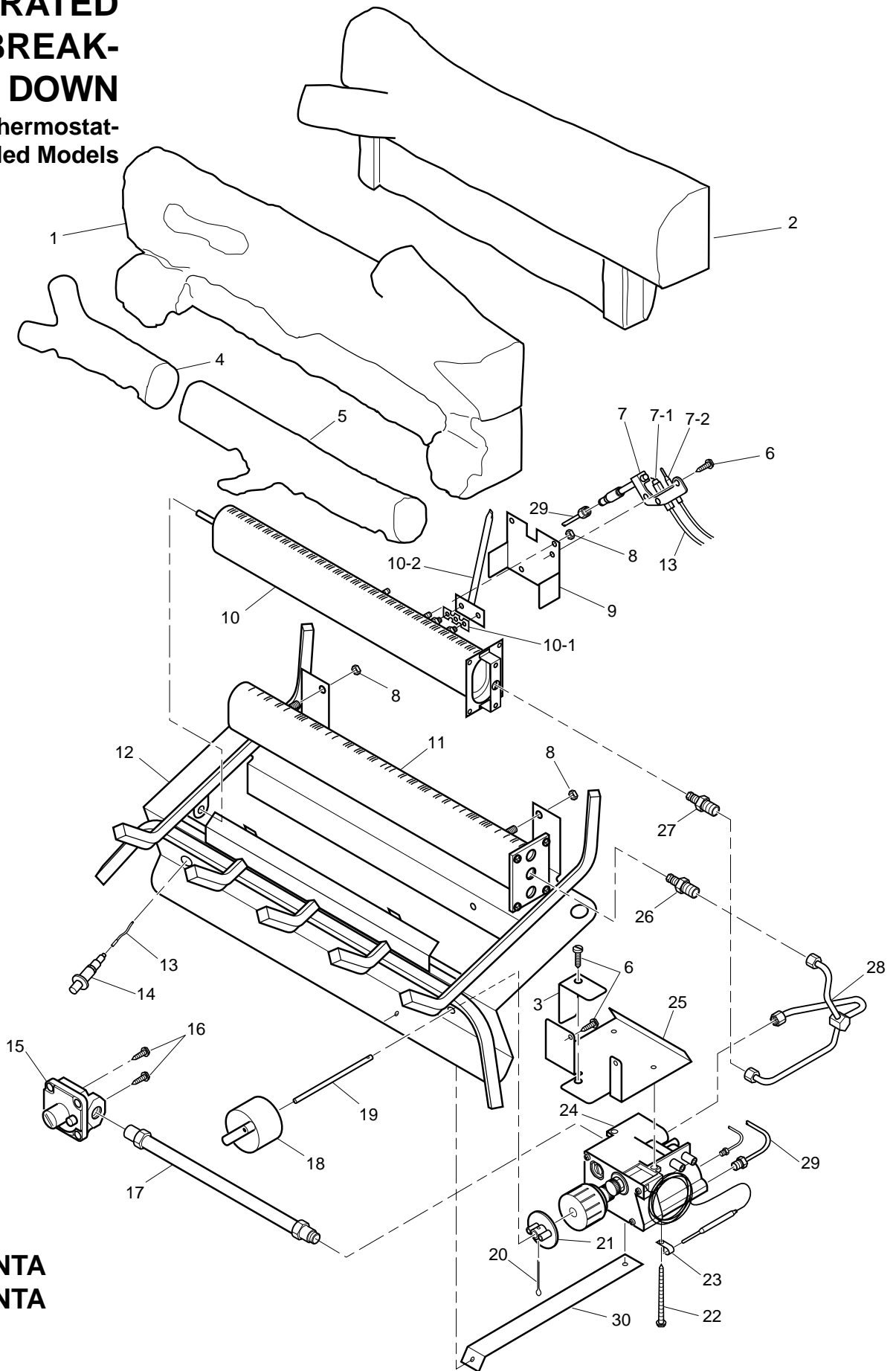
## Variable Manually- Controlled Models

This list contains replaceable parts used in your heater. When ordering parts, follow the instructions listed under *Replacement Parts* on page 33 of this manual.

KEY NO.	PART NUMBER FOR			DESCRIPTION	QTY.
	CG2618NVA	CG3324NVA	CG3630NVA		
1	102230-01	102230-02	102230-03	Front Log (#1L)	1
2	102231-01	102231-02	102231-03	Rear Log (#2)	1
3	098249-01	098249-01	098249-01	Nut	4
4	101333-02	101332-01	101332-02	Left Front Branch (#4)	1
5	—	101333-01	101333-01	Right Front Branch (#5)	1
6	101006-01	101006-01	101006-01	Pilot Bracket	1
7	101330-01	101330-05	101330-06	Front Burner Assembly	1
7-1	101008-01	101008-01	101008-01	Crossover Burner Gasket	1
7-2	101007-01	101007-01	101007-01	Crossover Burner	1
8	100999-04	100999-05	100999-06	Rear Burner Assembly	1
9	101331-05	101331-06	101331-07	Base Assembly (Includes Decals)	1
10	098271-06	098271-06	098271-06	Ignitor Cable	1
11	102445-01	102445-01	102445-01	Piezo Ignitor	1
12	098867-09	098867-09	098867-09	Gas Regulator	1
13	M11084-38	M11084-38	M11084-38	Screw	2
14	101011-01	101011-02	101011-03	Inlet Tube	1
15	098354-01	098354-01	098354-01	Control Knob	1
16	098462-03	098462-03	098462-03	Control Rod	1
17	098325-01	098325-01	098325-01	Roll Pin	1
18	098508-01	098508-01	098508-01	Valve Retainer Nut	1
19	102568-01	102568-01	102568-01	Gas Valve	1
20	101005-01	101005-01	101005-01	Valve Bracket	1
21	M11084-26	M11084-26	M11084-26	Screw	4
22	101004-11	101004-04	101004-05	Rear Burner Injector	1
23	101004-11	101004-08	101004-08	Front Burner Injector	1
24	102258-01	102258-01	102258-01	Burner Tube	1
25	099387-08	099387-08	099387-08	Pilot Tube	1
26	098276-01	098276-01	098276-01	1/8" Plug	1
27	100701-02	100701-02	100701-02	O.D.S. Pilot	1
27-1	098594-01	098594-01	098594-01	Ignitor Electrode	1
27-2	098593-01	098593-01	098593-01	Thermocouple	1
<b>PARTS AVAILABLE — NOT SHOWN</b>					
	100563-01	100563-01	100563-01	Warning Plate	1
	101054-01	101054-01	101054-01	Lighting Instructions Plate	1
	100565-01	100565-01	100565-01	Warning Plate Fastener	1
	100639-01	100639-01	100639-01	Caution Decal	1
	101137-01	101137-01	101137-01	Hardware Kit	1
	101416-13	101416-13	101416-13	Information Video	1
	GA6060	GA6060	GA6060	Lava Rock	1

# ILLUSTRATED PARTS BREAK- DOWN

Thermostat-  
Controlled Models



**CG3324NTA**  
**CG3630NTA**

# PARTS LIST

## Thermostat- Controlled Models

This list contains replaceable parts used in your heater. When ordering parts, follow the instructions listed under *Replacement Parts* on page 33 of this manual.

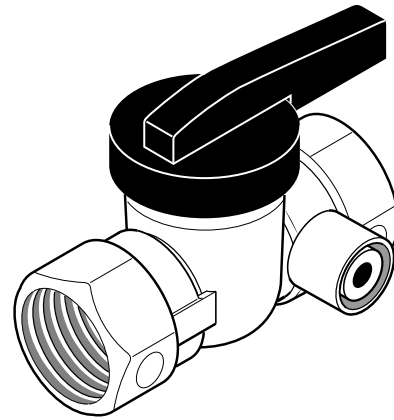
KEY NO.	PART NUMBER FOR		DESCRIPTION	QTY.
	CG3324NTA	CG3630NTA		
1	101337-02	101337-03	Rear Log (#1)	1
2	101336-02	101336-03	Front Log (#2)	1
3	102764-01	102764-01	Heat Shield	1
4	101332-01	101332-02	Left Front Branch (#4)	1
5	101333-01	101333-01	Right Front Branch (#5)	1
6	M11084-26	M11084-26	Screw	5
7	100701-02	100701-02	O.D.S. Pilot	1
7-1	098594-01	098594-01	Ignitor	1
7-2	098593-01	098593-01	Thermocouple	1
8	098249-01	098249-01	Nut	4
9	101006-01	101006-01	Pilot Bracket	1
10	101330-05	101330-06	Front Burner Assembly	1
10-1	101008-01	101008-01	Gasket, Crossover Burner	1
10-2	101007-01	101007-01	Crossover Burner	1
11	100999-05	100999-06	Rear Burner Assembly	1
12	101331-06	101331-07	Base Assembly (with decals)	1
13	098271-06	098271-06	Ignitor Cable	1
14	102445-01	102445-01	Piezo Ignitor	1
15	098867-09	098867-09	Gas Regulator	1
16	M11084-38	M11084-38	Screw	2
17	102810-02	102810-03	Inlet Tube	1
18	098324-02	098324-02	Control Knob	1
19	102013-01	102013-01	Control Rod	1
20	100000-01	100000-01	Cotter Pin	1
21	101053-01	101053-01	Adapter	1
22	099211-01	099211-01	Screw	1
23	098544-01	098544-01	Thermostat Clamp	1
24	101329-16	101329-16	Thermostat Gas Valve Assy.	1
25	100994-01	100994-01	Therموvalve Bracket	1
26	101004-04	101004-05	Rear Burner Injector	1
27	101004-08	101004-08	Front Burner Injector	1
28	102811-01	102811-01	Thermostat Burner Tube	1
29	099387-09	099387-09	Pilot Tube	1
30	102255-01	102255-01	Strap	1
<b>PARTS AVAILABLE — NOT SHOWN</b>				
	100563-01	100563-01	Warning Plate	1
	101054-01	101054-01	Lighting Instructions Plate	1
	100565-01	100565-01	Warning Plate Fastener	1
	100639-01	100639-01	Caution Decal	1
	101137-01	101137-01	Hardware Kit	1
	101416-13	101416-13	Information Video	1
	GA6060	GA6060	Lava Rock	1

## ACCESSORIES

Purchase these heater accessories from your local dealer. If they can not supply these accessories, call DESA International's Parts Department at 1-800-972-7879 for information. You can also write to the address listed on the back page of this manual.

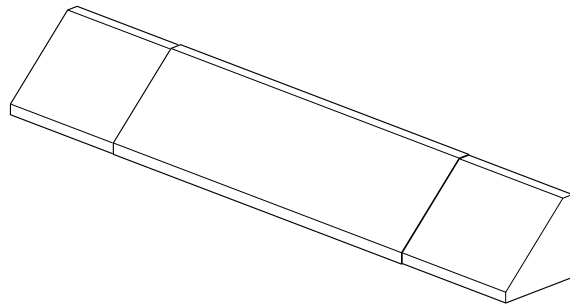
### **MANUAL SHUTOFF VALVE - GA5010**

For all models. Manual shutoff valve with 1/8" NPT tap. Fits 1/2" NPT pipe.



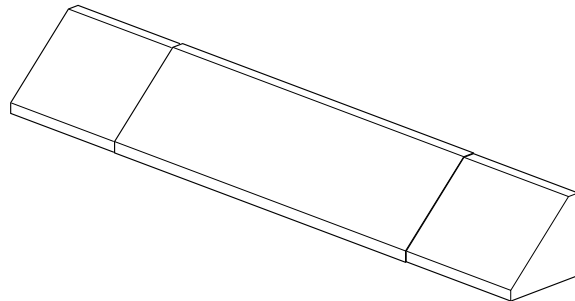
### **BLACK FIREPLACE HOOD - GA6050**

For all models. Helps deflect heat away from mantel or wall above fireplace.



### **BRASS FIREPLACE HOOD - GA6052**

For all models. Helps deflect heat away from mantel or wall above fireplace.



### **DAMPER CLAMP - GA6080**

For variably controlled models. Permanently opens chimney flue damper for vented operation.

### **LAVA ROCK - GA6060**

For all models. Order when additional rock is desired. (3 lb. bag)



# WARRANTY INFORMATION

## KEEP THIS WARRANTY

Model \_\_\_\_\_

Serial No. \_\_\_\_\_

Date Purchased \_\_\_\_\_

Always specify model and serial numbers when communicating with the factory.

We reserve the right to amend these specifications at any time without notice. The only warranty applicable is our standard written warranty. We make no other warranty, expressed or implied.

### LIMITED WARRANTY COMFORT GLOW VENT-FREE NATURAL GAS LOG HEATERS

DESA International warrants this product to be free from defects in materials and components for one (1) year from the date of first purchase, provided that the product has been properly installed, operated and maintained in accordance with all applicable instructions. To make a claim under this warranty the Bill of Sale or cancelled check must be presented.

This warranty is extended only to the original retail purchaser. This warranty covers the cost of part(s) required to restore this heater to proper operating condition and an allowance for labor when provided by a DESA Authorized Service Center. Warranty part(s) MUST be obtained through authorized dealers of this product and/or DESA International who will provide original factory replacement parts. Failure to use original factory replacement parts voids this warranty. The heater MUST be installed by a qualified installer in accordance with all local codes and instructions furnished with the unit.

This warranty does not apply to parts that are not in original condition because of normal wear and tear, or parts that fail or become damaged as a result of misuse, accidents, lack of proper maintenance or defects caused by improper installation. Travel, diagnostic cost, labor, transportation and any and all such other costs related to repairing a defective heater will be the responsibility of the owner.

TO THE FULL EXTENT ALLOWED BY THE LAW OF THE JURISDICTION THAT GOVERNS THE SALE OF THE PRODUCT; THIS EXPRESS WARRANTY EXCLUDES ANY AND ALL OTHER EXPRESSED WARRANTIES AND LIMITS THE DURATION OF ANY AND ALL IMPLIED WARRANTIES, INCLUDING WARRANTIES OF MERCHANTABILITY AND FITNESS FOR A PARTICULAR PURPOSE TO ONE (1) YEAR FROM THE DATE OF FIRST PURCHASE; AND DESA INTERNATIONAL'S LIABILITY IS HEREBY LIMITED TO THE PURCHASE PRICE OF THE PRODUCT AND DESA INTERNATIONAL SHALL NOT BE LIABLE FOR ANY OTHER DAMAGES WHATSOEVER INCLUDING INDIRECT, INCIDENTAL OR CONSEQUENTIAL DAMAGES.

Some states do not allow a limitation on how long an implied warranty lasts or an exclusion or limitation of incidental or consequential damages, so the above limitation on implied warranties, or exclusion or limitation on damages may not apply to you.

This warranty gives you specific legal rights, and you may also have other rights that vary from state to state.

For information about this warranty write:

**DESA**  
**INTERNATIONAL**

2701 Industrial Drive  
P.O. Box 90004  
Bowling Green, KY 42102-9004

102650-01  
Rev. B  
04/96