

256400

Illustrated Parts List

Model Series

256400

TYPE NUMBERS
0004 through 1211.

For Use On Engines Built Before Date Code – 02073000

TABLE OF CONTENTS

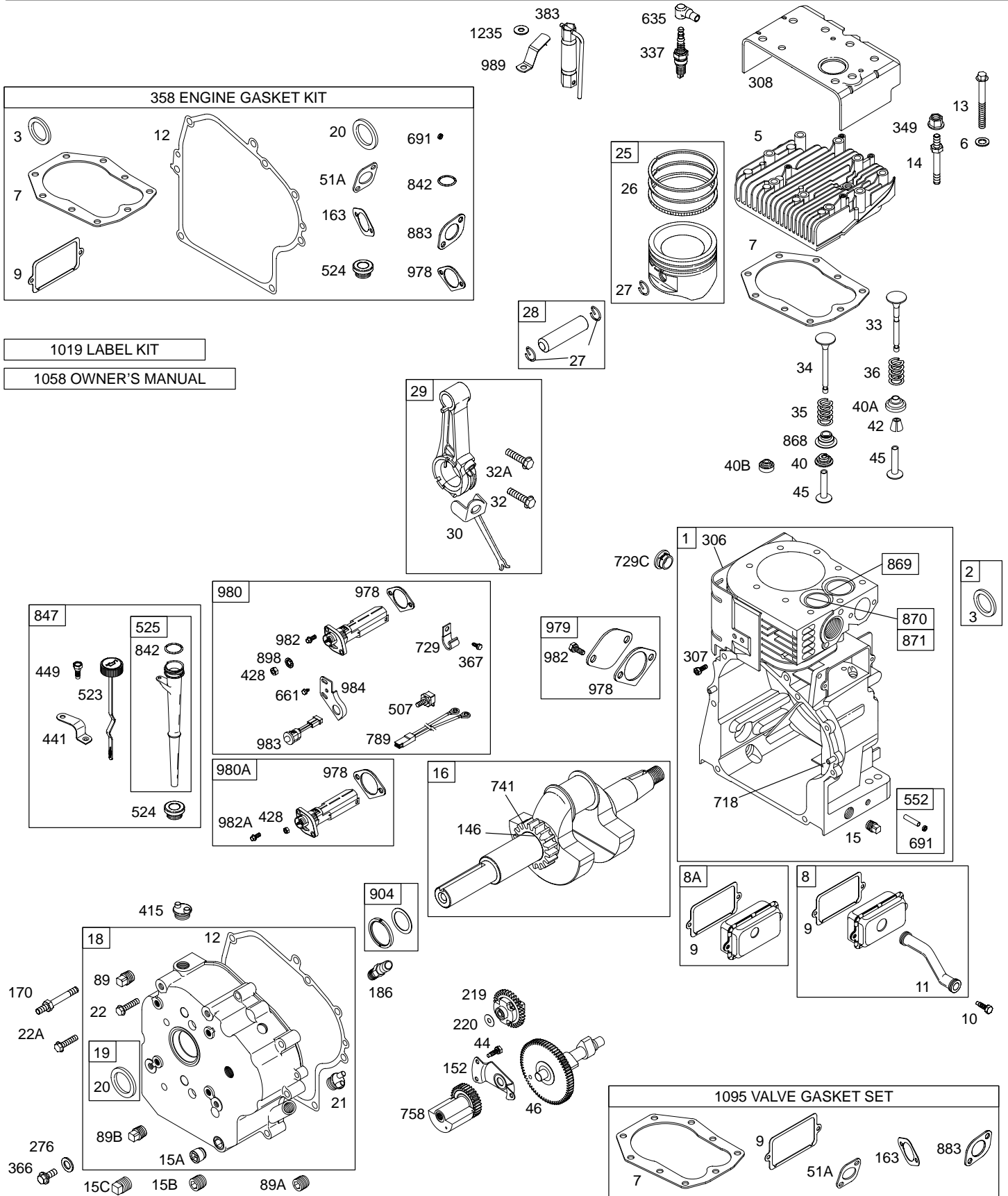
Alternator	7
Air Cleaner	4
Blower Housing/Shrouds	6
Cams	2
Carburetor	3
Controls	5
Crankcase Cover/Sump	2
Crankshaft	2
Cylinder	2
Electric Starter	7
Flywheel	6
Fuel Tank	5
Gear Reducer	7
Governor Springs	5
Head/Valves	2
Ignition	7
Kits/Gasket Sets–Carburetor	3
Kits/Gasket Sets–Engine	2
Kits/Gasket Sets–Valves	2
Muffler	4
Oil	2
Piston	2
Rewind	6

PRINTED IN U.S.A.

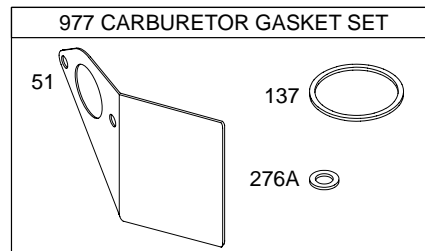
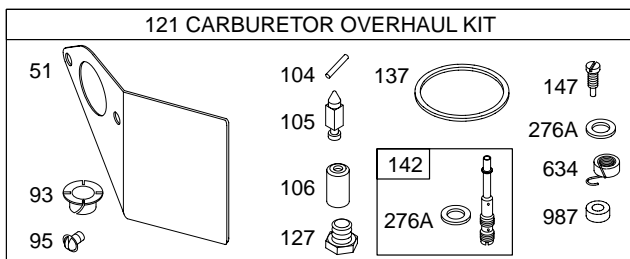
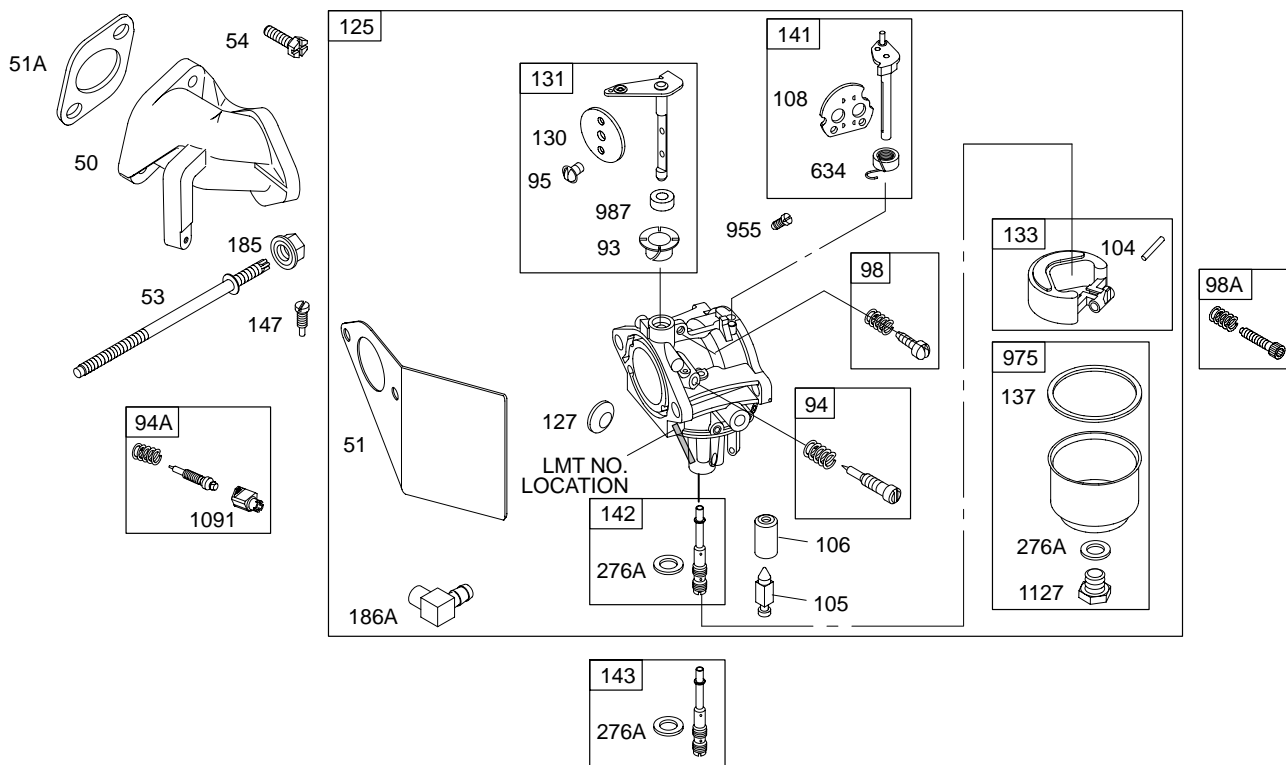


COPYRIGHT by BRIGGS & STRATTON CORPORATION
All rights reserved. No part of this material may be reproduced or transmitted, in any form or by any means, electronic or mechanical, including photocopying, recording or by any information storage and retrieval system, without permission in writing from Briggs & Stratton Corporation.

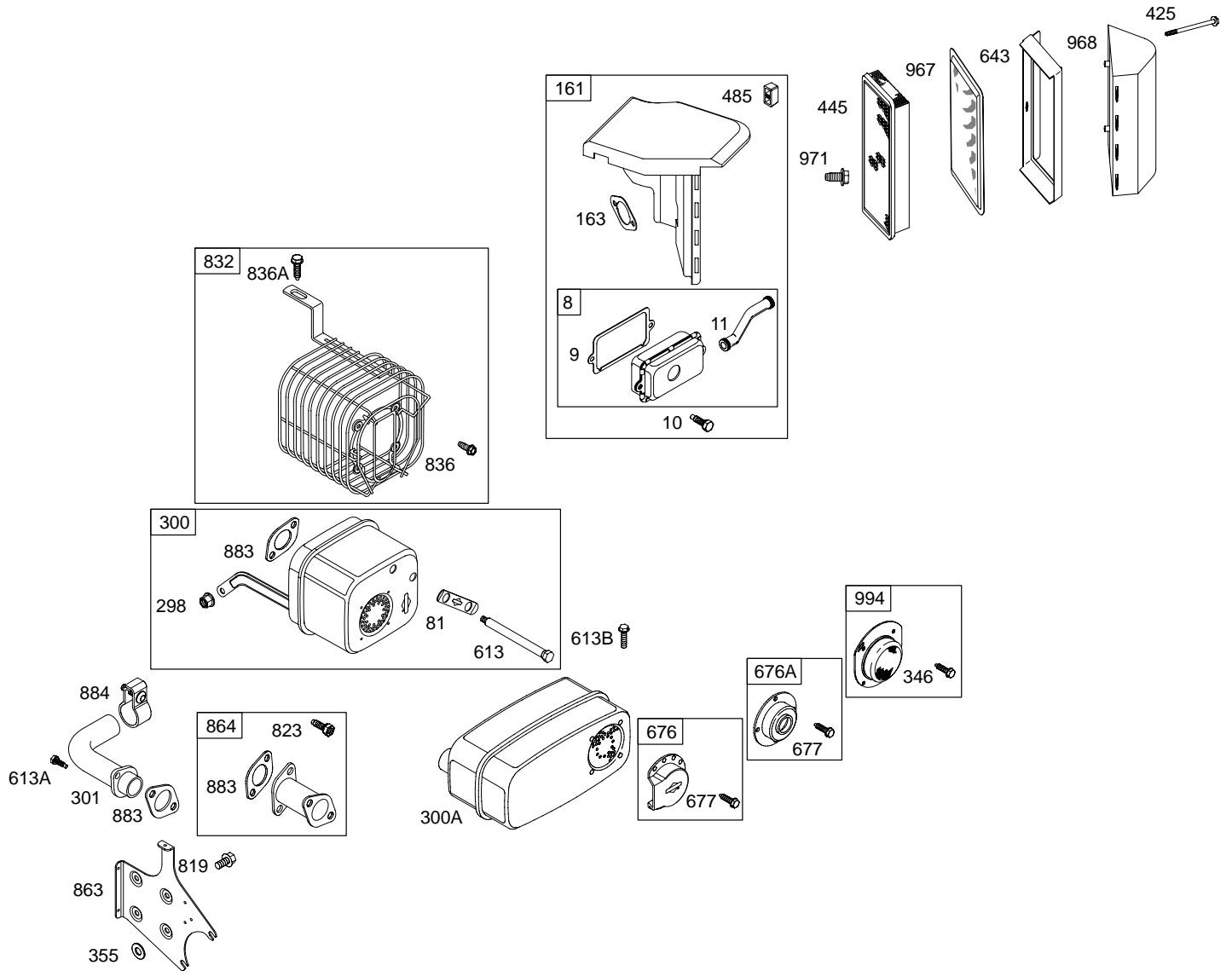
256400



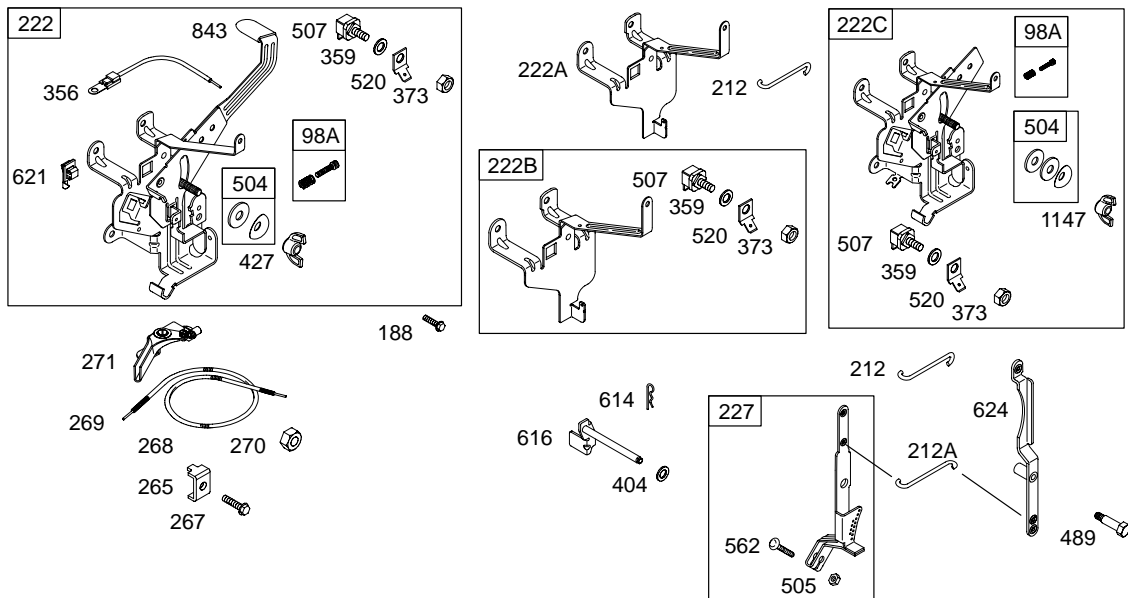
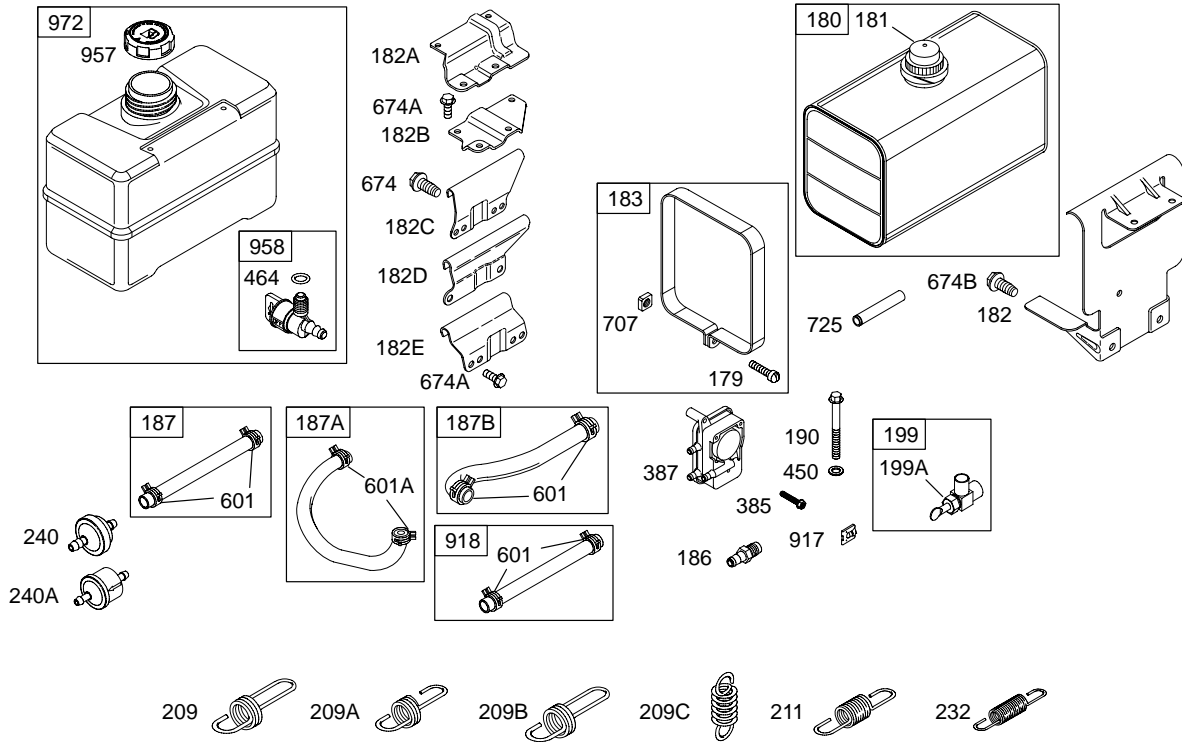
Illustrations cover a range of engines. Parts shown without corresponding text may not be used on your specific engine.
0603-2 Assemblies include all parts shown in frames. **5C-7/2002**



Illustrations cover a range of engines. Parts shown without corresponding text may not be used on your specific engine.
 0603-3 Assemblies include all parts shown in frames. 5C-7/2002

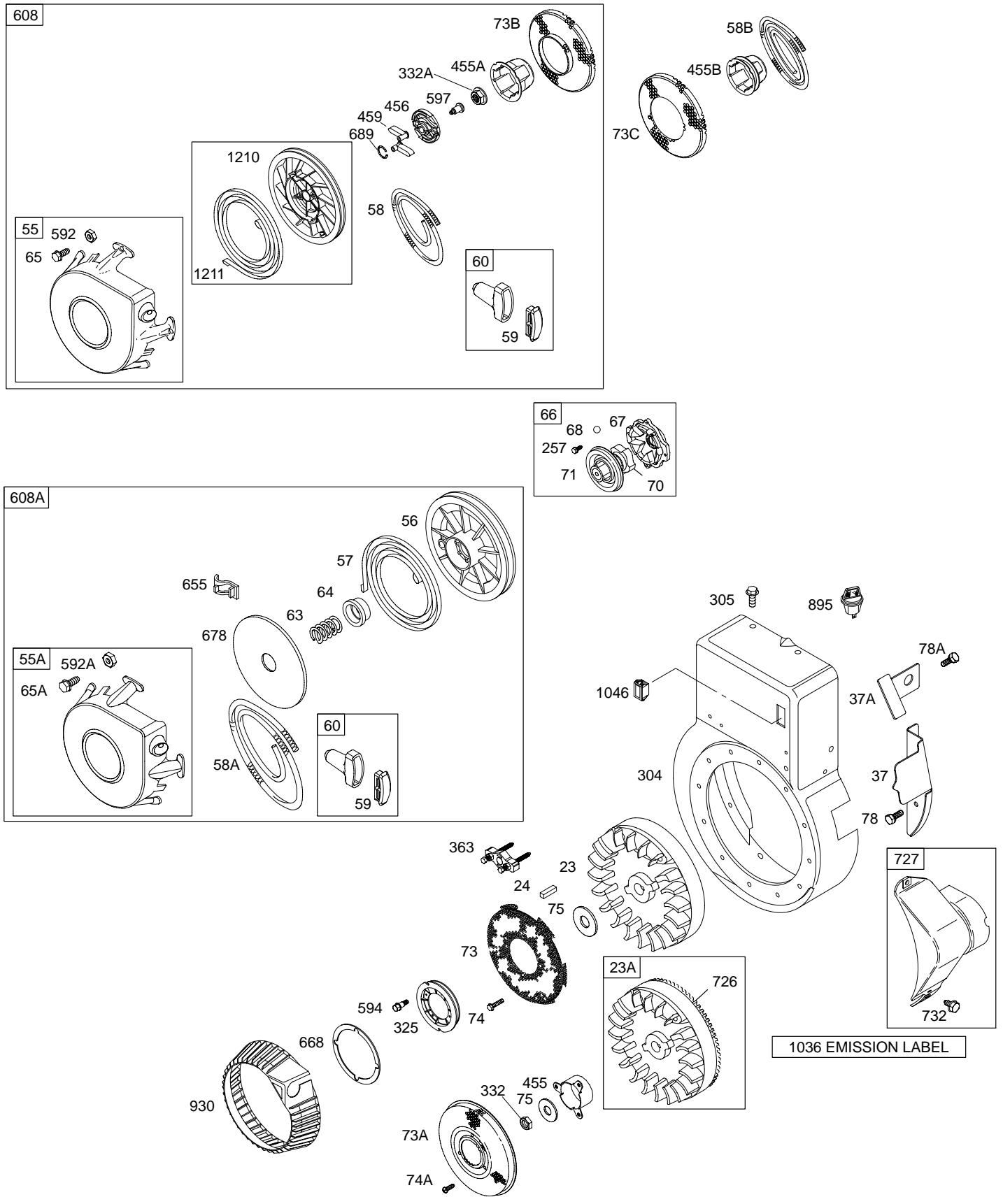


Illustrations cover a range of engines. Parts shown without corresponding text may not be used on your specific engine.
0603-4 Assemblies include all parts shown in frames. **5C-7/2002**

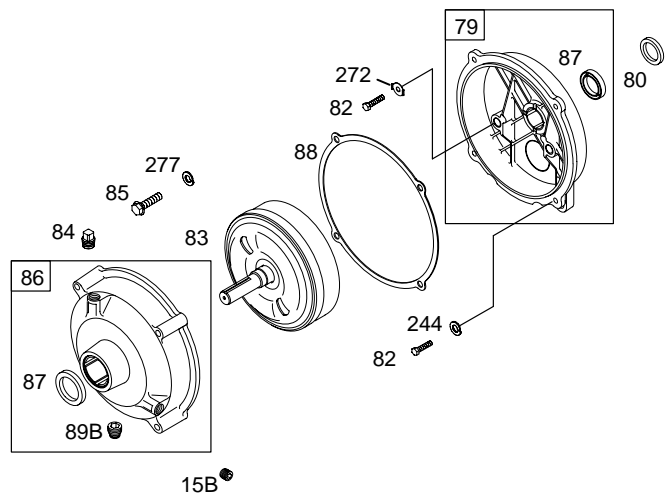
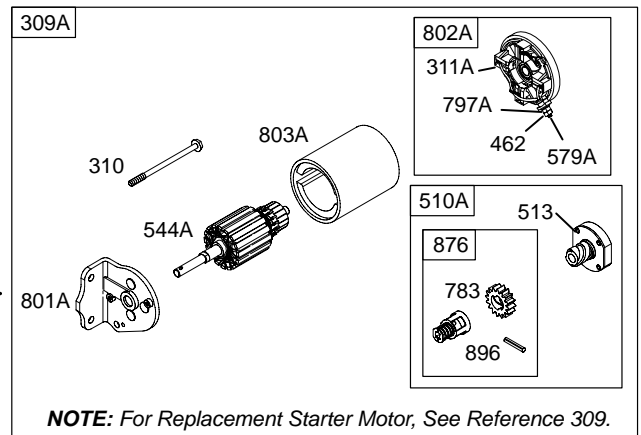
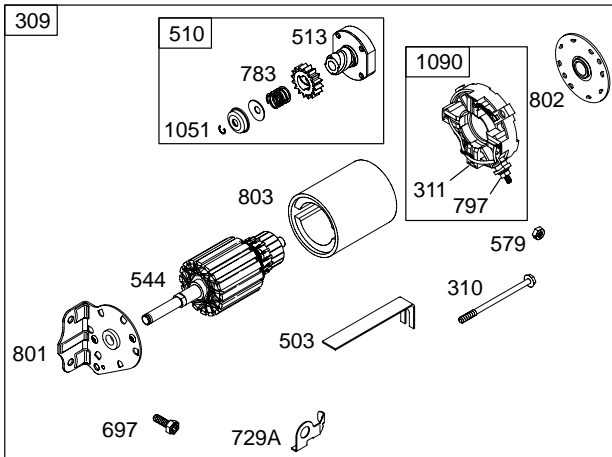
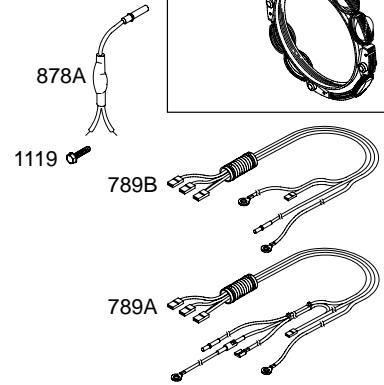
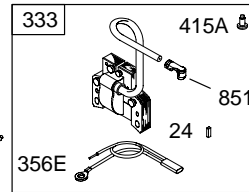
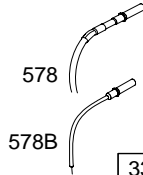
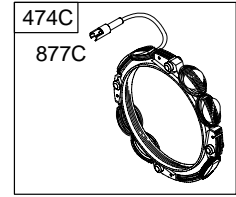
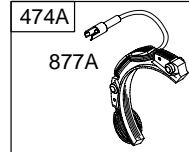
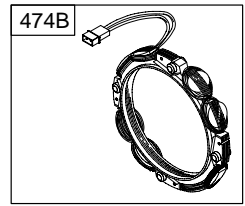
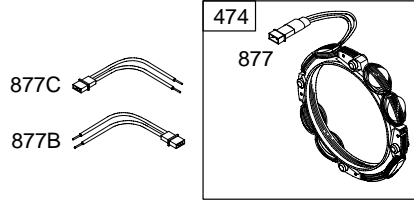
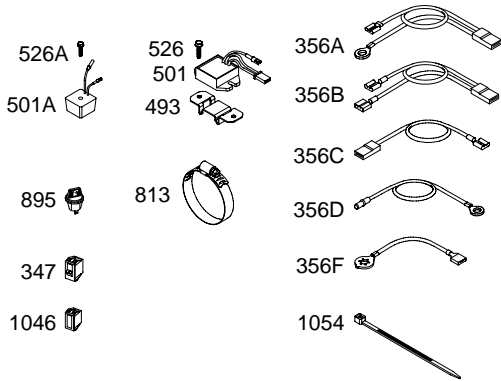
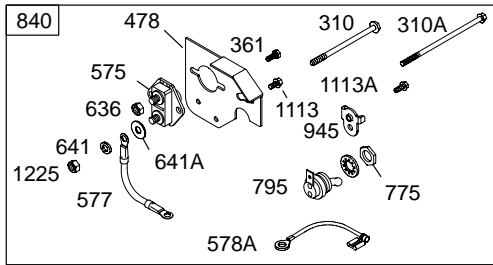


Illustrations cover a range of engines. Parts shown without corresponding text may not be used on your specific engine.
 0603-5 Assemblies include all parts shown in frames. 5C-7/2002

256400



Illustrations cover a range of engines. Parts shown without corresponding text may not be used on your specific engine.
 0603-6 Assemblies include all parts shown in frames. 5C-7/2002



256400

REF. NO.	PART NO.	DESCRIPTION	REF. NO.	PART NO.	DESCRIPTION	REF. NO.	PART NO.	DESCRIPTION
1	497411	Cylinder Assembly	15A	691680	Plug–Oil Drain (Flush)	18	496985	Cover–Crankcase
2	399265	Kit–Bushing/Seal (Magneto Side)			Note			Note
3	★391086	Seal–Oil (Magneto Side)			691682 Plug–Oil Drain Used on Type No(s). 1049, 1050.			496986 Cover–Crankcase Used on Type No(s). 0070, 0132, 0133, 0134, 0140, 0143, 0174, 0635, 0695, 1070, 1072, 1101, 1121, 1130, 1133, 1134, 1135, 1137, 1138, 1140, 1154, 1161, 1162, 1174, 1195, 1196, 1201, 1204, 1205, 1206.
5	691154	Head–Cylinder	16	491645	Crankshaft			496977 Cover–Crankcase Used on Type No(s). 1049, 1050.
6	691261	Washer (Cylinder Head) Used on Type No(s). 0140, 1140.			Note			
7	∅★271866	Gasket–Cylinder Head			399723 Crankshaft Used on Type No(s). 0101, 0130, 0601, 0660, 0661, 0695, 1101, 1130, 1138, 1161, 1195, 1210.			
8	498038	Breather Assembly			491635 Crankshaft Used on Type No(s). 0143, 1072, 1196.			
9	∅★27803	Gasket–Breather			491642 Crankshaft Used on Type No(s). 0135, 0635, 1135, 1162.	19	399264	Kit–Bushing/Seal (PTO Side)
10	691666	Screw (Breather Assembly)			491644 Crankshaft Used on Type No(s). 0012, 0015, 0020, 0025, 0027, 0028, 0115, 0139, 0140, 0156, 0173, 0512, 0515, 0525, 0527, 0528, 0696, 1012, 1015, 1020, 1025, 1027, 1028, 1029, 1139, 1140, 1156.	20	★291675	Seal–Oil (PTO Side)
11	691907	Tube–Breather (Used After Code Date 95010100). Note			497130 Crankshaft Used on Type No(s). 0121.	21	281658	Cap–Oil Fill
		281426 Tube–Breather (Used Before Code Date 95010200).			693634 Crankshaft Used on Type No(s). 1049, 1050.	22	691625	Screw (Crankcase Cover/ Sump)
12	★692281	Gasket–Crankcase (015" Thick) (Standard) Note			498996 Crankshaft Used on Type No(s). 1174.	22A	694966	Screw (Crankcase Cover/ Sump) (2 1/8" Long)
		★272219 Gasket–Crankcase (.005" Thick)			694535 Crankshaft Used on Type No(s). 1121, 1205.	23	690672	Flywheel
		★272220 Gasket–Crankcase (.009" Thick)				23A	692048	Flywheel
13	690904	Screw (Cylinder Head)						Note
14	691109	Stud (Cylinder Head) Note						691470 Flywheel Used on Type No(s). 0008, 0020, 0174, 1008, 1020, 1204, 1206.
		695808 Stud (Cylinder Head) Used on Type No(s). 0140, 1140.				24	222698	Key–Flywheel
15	690946	Plug–Oil Drain Note				25	499284	Piston Assembly (Standard)
		690289 Plug–Oil Drain (Magnetic)						499288 Piston Assembly (.010" Oversize)
								499292 Piston Assembly (.020" Oversize)
								499296 Piston Assembly (.030" Oversize)

★ Included in Engine Gasket Set–Ref. No.358.

● Included in Carburetor Overhaul Kit–Ref. No. 121.

◆ Included in Carburetor Gasket Set–Ref. No. 977.

∅ Included in Valve Gasket Set–Ref. No. 1095.

Illustrations cover a range of engines. Parts shown without corresponding text may not be used on your specific engine.

REF. NO.	PART NO.	DESCRIPTION	REF. NO.	PART NO.	DESCRIPTION	REF. NO.	PART NO.	DESCRIPTION
26	495854	Ring Set (Standard)	32	690356	Screw (Connecting Rod) (1 7/8" Long)	57	490179	Spring–Rewind Starter (Used Before Code Date 98111600).
	495852	Ring Set (.010" Oversize)	32A	690348	Screw (Connecting Rod) (1 5/8" Long)	58	691288	Rope–Starter (63" Long)
	495851	Ring Set (.020" Oversize)				58A	695002	Rope–Starter (99" Long)
	495855	Ring Set (.030" Oversize)	33	691796	Valve–Exhaust	59	490653	Insert–Grip
27	691299	Lock–Piston Pin (Used After Code Date 95101500).	34	690429	Valve–Intake	60	490652	Grip–Starter Rope
		Note	35	691605	Spring–Valve (Intake)	63	690547	Spring–Ratchet
	691792	Lock–Piston Pin (Used Before Code Date 95101600).	36	691597	Spring–Valve (Exhaust)	64	691920	Adapter–Ratchet Spring
			37	690490	Guard–Flywheel	65	690759	Screw (Rewind Starter)
			37A	690488	Guard–Flywheel	66	399671	Clutch–Starter (Used Before Code Date 99030100).
			40	690656	Retainer–Valve (1 Piece)	67	394897	Housing–Clutch
28	498319	Pin–Piston (Standard) (Used After Code Date 95101500).	40A	691939	Retainer–Valve	68	691604	Ball–Clutch
		Note	40B	690274	Retainer–Valve	70	691945	Ratchet–Clutch
	299691	Pin–Piston (Standard) (Used Before Code Date 95101600).	42	494553	Keeper–Valve (2 Piece)	71	691359	Cover–Ratchet
	498320	Pin–Piston (.005" Oversize) (Used After Code Date 95101500).	44	691666	Screw (Counterweight Retainer)	73	691754	Screen–Rotating
			45	691811	Tappet–Valve	73A	691748	Screen–Rotating
			46	692123	Camshaft	73B	695160	Screen–Rotating
			50	691157	Manifold–Intake	73C	694020	Screen–Rotating (Used with 99" Rope)
			51	◆691886	Gasket–Intake (Carburetor to Manifold)	74A	691665	Screw (Rotating Screen)
			51A	∅◆691885	Gasket–Intake (Manifold to Engine)	75	690582	Washer (Flywheel)
			53	691672	Stud (Carburetor)	78	690364	Screw (Flywheel Guard)
			54	690953	Screw (Intake Manifold)	78A	691058	Screw (Flywheel Guard)
29	490348	Rod–Connecting (Standard)	55	693904	Housing–Rewind Starter (Used After Code Date 98111500).	79	690614	Case–Gear Reduction
		Note	55A	393576	Housing–Rewind Starter (Used Before Code Date 98111600).	80	691603	Gasket–Gear Case
	490469	Rod– Connecting (.020" Undersize)				81	691178	Lock–Muffler Screw
						82	690287	Screw (Gear Reduction Case)
30	694612	Dipper–Connecting Rod (Used After Code Date 99091900).	56	295871	Pulley–Starter (Includes 63" Rope) (Used Before Code Date 98111600).	83	690387	Shaft–Auxiliary Drive
		Note				84	691121	Plug–Breather
	690405	Dipper– Connecting Rod (Used Before Code Date 99092000).				85	691076	Screw (Gear Cover To Gear Reduction Case)

★ Included in Engine Gasket Set–Ref. No.358.

● Included in Carburetor Overhaul Kit–Ref. No. 121.

◆ Included in Carburetor Gasket Set–Ref. No. 977.

∅ Included in Valve Gasket Set–Ref. No 1095.

Illustrations cover a range of engines. Parts shown without corresponding text may not be used on your specific engine.

256400

REF. NO.	PART NO.	DESCRIPTION	REF. NO.	PART NO.	DESCRIPTION	REF. NO.	PART NO.	DESCRIPTION
86	690613	Cover–Gear	127	694524	Plug–Welch (Used After Code Date 00030900).			———— Note ———— 499826 Nozzle– Carburetor (High Altitude) (Used on LMT 175) (Used Before Code Date 00030800).
87	391086	Seal–Gear Reduction			———— Note ———— 695005 Plug–Welch (Used Before Code Date 00030800).			497449 Nozzle– Carburetor (High Altitude) (Used on LMT 101) (Used Before Code Date 00030800).
88	691601	Gasket–Gear Reduction Cover						499744 Nozzle– Carburetor (High Altitude) (Used on LMT 176) (Used Before Code Date 00030800).
89	691686	Plug–Oil	130	691750	Valve–Throttle			
89B	690283	Plug–Oil	131	497846	Kit–Throttle Shaft			
93	690602	Bushing–Throttle Shaft	133	494381	Float–Carburetor			
94	498030	Kit–Idle Mixture	137	281165	Gasket–Float Bowl			
94A	496589	Kit–Idle Mixture (Used on LMT 175)	141	497160	Kit–Choke Shaft			
		———— Note ———— 494383 Kit–Idle Mixture (Used on LMT 101) Used on Type No(s). 1162, 1201.	142	695835	Nozzle–Carburetor (Standard) (Used on LMT 101, 175, 176) (Used After Code Date 00030900).			
95	691636	Screw (Throttle Valve)			———— Note ———— 499744 Nozzle– Carburetor (Standard) (Used on LMT 175) (Used Before Code Date 00030800).	146	691639	Key–Timing (OIL GARD® Cover)
98	495800	Kit–Idle Speed			690145 Nozzle– Carburetor (Standard) (Used on LMT 101) (Used Before Code Date 00030800).	147	497472	Jet–Pilot (Used on LMT 101)
98A	493280	Kit–Idle Speed			497448 Nozzle– Carburetor (Standard) (Used on LMT 101) (Used Before Code Date 00030800).	152	691172	Retainer– Counterweight
104	690525	Pin–Float Hinge				161	498544	Base–Air Cleaner (Metal)
105	691782	Valve–Float Needle				163	692277	Gasket–Air Cleaner
106	691780	Seat–Inlet				170	691695	Stud (Crankcase Cover/ Sump)
		———— Note ———— 690577 Seat–Inlet Used on Type No(s). 1162.	143	695836	Nozzle–Carburetor (High Altitude) (Used on LMT 101, 175, 176) (Used After Code Date 00030900).	179	690280	Screw (Fuel Tank Strap)
108	690467	Valve–Choke				180	291488	Tank–Fuel (Metal)
121	497450	Kit–Carburetor Overhaul				181	392305	Cap–Fuel Tank (Metal)
125	695501	Carburetor				182	691200	Bracket–Fuel Tank (Metal Fuel Tank)
		———— Note ———— 695503 Carburetor (Used After Code Date 00030900). Used on Type No(s). 1162. 693356 Carburetor (Used Before Code Date 00030800). Used on Type No(s). 1162, 1201.				182A	695726	Bracket–Fuel Tank (Top) Used on Type No(s). 0515, 1006, 1008, 1012, 1015, 1020, 1029, 1049, 1050, 1070, 1072, 1139, 1154, 1161, 1174, 1195, 1196, 1203, 1205, 1210.

★ Included in Engine Gasket Set–Ref. No.358.

● Included in Carburetor Overhaul Kit–Ref. No. 121.

◆ Included in Carburetor Gasket Set–Ref. No. 977.

∅ Included in Valve Gasket Set–Ref. No 1095.

Illustrations cover a range of engines. Parts shown without corresponding text may not be used on your specific engine.

REF. NO.	PART NO.	DESCRIPTION	REF. NO.	PART NO.	DESCRIPTION	REF. NO.	PART NO.	DESCRIPTION
182B	691199	Bracket–Fuel Tank (Top) Used on Type No(s). 1101, 1130, 1137, 1138, 1140.	209	692905	Spring–Governor (Used After Code Date 97042700). Note ——— 692910 Spring Governor (Used After Code Date 97042700). Used on Type No(s). 0012, 0015, 0020, 0025, 0027, 0028, 0101, 0115, 0130, 0139, 0140, 0143, 0156, 0173, 0512, 0515, 0525, 0527, 0528, 0601, 0660, 0661, 0695, 0696, 1012, 1015, 1020, 1025, 1027, 1028, 1029, 1049, 1050, 1072, 1101, 1121, 1130, 1137, 1138, 1139, 1140, 1156, 1161, 1174, 1195, 1196, 1205, 1210.	222	691479	Bracket–Control (Used After Code Date 97042700). Note ——— 691481 Bracket– Control (Used After Code Date 97042700). Used on Type No(s). 0004, 0006, 0007, 0008, 0026, 0070, 0111, 0113, 0116, 0120, 0121, 0124, 0128, 0129, 0132, 0133, 0134, 0135, 0136, 0137, 0153, 0506, 0570, 0634, 0635, 0653, 1121, 1133, 1134, 1154, 1210. 499723 Bracket– Control (Used Before Code Date 97042800). Used on Type No(s). 0101, 0130, 0143, 0601.
182D	690487	Bracket–Fuel Tank (Bottom) Used on Type No(s). 1101, 1130, 1137, 1138, 1140.	209A	263055	Spring–Governor (Used Before Code Date 97042800).	222B	694183	Bracket–Control Used on Type No(s). 1004, 1006, 1007, 1008, 1070, 1132, 1133, 1134, 1135, 1136, 1153, 1154, 1162, 1177, 1198, 1204.
182E	694592	Bracket–Fuel Tank (Bottom) Used on Type No(s). 0140, 0515, 1006, 1008, 1012, 1015, 1020, 1029, 1049, 1050, 1070, 1072, 1139, 1140, 1154, 1161, 1174, 1195, 1196, 1203, 1205, 1210.	209C	260723	Spring–Governor Used on Type No(s). 0121.	227	692143	Lever–Governor Control
183	691937	Fuel Tank Strap	211	692912	Spring–Governed Idle (Used After Code Date 97042700).	232	691848	Spring–Governor Link
186	691764	Connector–Hose	212	691853	Link–Throttle (Upper)	240	691035	Filter–Fuel
186A	692317	Connector–Hose	212A	691294	Link–Throttle (Lower)	240A	394358	Filter–Fuel Note ——— 298090 Filter–Fuel Used on Type No(s). 1201.
187	296004	Line–Fuel (Cut to Required Length)	219	496786	Gear–Governor	244	691075	Washer (Gear Reduction Case)
187A	497029	Line–Fuel (Molded)	220	691724	Washer (Governor Gear)			
187B	691049	Line–Fuel						
187C	691050	Line–Fuel						
188	691693	Screw (Control Bracket)						
199A	692302	Valve–Fuel Shut Off (Metal) Note ——— 691940 Valve Fuel Shut Off (Metal)						

★ Included in Engine Gasket Set–Ref. No.358.

● Included in Carburetor Overhaul Kit–Ref. No. 121.

◆ Included in Carburetor Gasket Set–Ref. No. 977.

⊘ Included in Valve Gasket Set–Ref. No 1095.

Illustrations cover a range of engines. Parts shown without corresponding text may not be used on your specific engine.

256400

REF. NO.	PART NO.	DESCRIPTION	REF. NO.	PART NO.	DESCRIPTION	REF. NO.	PART NO.	DESCRIPTION
257	691660	Screw (Starter Clutch)	310	690323	Screw (Starter Motor) (3 5/8" Housing Length)	356D	692149	Wire-Stop (1 Wire, 7-1/4" Long)(Ring Terminal, And Snap Connect Insulated Pin Socket)
265	691024	Clamp-Casing			Note	358	497511	Gasket Set-Engine
267	690804	Screw (Casing Clamp)				359	691077	Washer (Ground Terminal)
268	691025	Casing-Control Wire (Cut to Required Length)				363	19203	Puller-Flywheel
269	691026	Wire-Control (Cut to Required Length)	311	497608	Brush Set	366	690304	Screw (Timing Hole Plug)
270	691027	Nut (Control Wire Casing)	311A	395538	Brush Set (For 3 5/8" and 4 3/8" Housing Lengths)	373	691612	Nut (Ground Terminal)
271	691028	Lever-Control (Magneto Armature)	325	691903	Pulley-Rope Starter	383	89838	Wrench-Spark Plug
272	691168	Lock-Screw Head (Gear Reduction Case)	332A	693899	Nut (Flywheel)	385	691673	Screw (Fuel Pump)
276	690258	Washer-Sealing	333	398811	Armature-Magneto	387	692026	Pump-Fuel
276A	692255	Washer-Sealing	334	691061	Screw (Magneto Armature)	404	691691	Washer (Governor Crank)
277	691075	Washer (Gear Case to Gear Reduction Cover)	337	802592	Plug Spark	412	690958	Nut (Air Cleaner Cover)
298	691105	Locknut-Muffler/Elbow	346	690661	Screw (Spark Arrestor)	415A	693463	Plug
300	497470	Muffler	347	495098	Switch-Rocker	425	691671	Screw (Air Cleaner Cover)
300A	498984	Muffler	349	691105	Nut (Cylinder Head Cover)	427	690355	Nut (Control Bracket)
301	692956	Pipe-Exhaust	355	690310	Washer (Muffler Bracket)	428	691612	Nut (OIL GARD® Kit)
304	497474	Housing-Blower (Red)	356	691408	Wire-Stop (1 Wire, 4" Long)(Snap Connect Insulated Ring Terminal, And Bare Wire End)	441	691217	Bracket-Oil Fill Note
		Note						691218 Bracket-Oil Fill Used on Type No(s). 1049, 1050.
305	692198	Screw (Blower Housing)	356B	491391	Wire-Stop (2 Wires, 5-33/64" And 15-23/32" Long)(Snap Connect Insulated Female Blade Terminal, And 2 Push-On Female Blade Terminals)	445	691643	Filter-Air Cleaner Cartridge
306	690489	Shield-Cylinder				449	691130	Screw (Oil Fill Bracket)
307	691003	Screw (Cylinder Shield)				455	691173	Cup-Flywheel
308	690491	Cover-Cylinder Head				455A	695160	Cup-Flywheel
309	693054	Motor-Starter (3 5/8" Housing Length)	356C	491927	Wire-Stop (1 Wire, 17-13/64" Long)(Snap Connect Insulated Female Blade Terminal, And Push-On Female Blade Terminal) Used on Type No(s). 1139.	455B	694017	Cup-Flywheel (Used with 99" Rope)
		Note				456	692299	Plate-Pawl Friction
		499521 Motor-Starter (4 3/8" Housing Length)				459	281505	Pawl-Ratchet
309A		Motor-Starter For Replacement Starter Motor, Order Ref 309.				462	690288	Washer (Starter Cable)
						464	691898	Seal-O Ring (Fuel Shut Off Valve)

★ Included in Engine Gasket Set-Ref. No.358.

● Included in Carburetor Overhaul Kit-Ref. No. 121.

◆ Included in Carburetor Gasket Set-Ref. No. 977.

∅ Included in Valve Gasket Set-Ref. No 1095.

Illustrations cover a range of engines. Parts shown without corresponding text may not be used on your specific engine.

0603-12

Assemblies include all parts shown in frames.

5C-7/2002

REF. NO.	PART NO.	DESCRIPTION	REF. NO.	PART NO.	DESCRIPTION	REF. NO.	PART NO.	DESCRIPTION
474	691063	Alternator	552	491893	Bushing–Governor Crank	634	●690802	Spring/Seal Assembly
474A	691953	Alternator				635	66538	Boot–Spark Plug
474B	691064	Alternator	562	92613	Bolt	636	691029	Nut (Starting Switch)
474C	691065	Alternator			(Governor Control Lever)	641	691075	Washer (Starting Switch)
478	395410	Panel	575	692303	Switch–Starting			(Lock)
485	692295	Knob–Control	577	690630	Cable–Starter	641A	690282	Washer (Starting Switch)
489	691776	Screw (Linkage Lever)	578A	690647	Wire Assembly (1 Wire, 23" Long)(In- sulated–Support Ring Terminal, And Push–On Insulated– Support Female Blade Terminal)	643	691926	Retainer–Air Filter
493	691177	Bracket–Mounting				654	690958	Nut (Carburetor)
501	691185	Regulator (16 Amp Regulated)	578B	692306	Harness–Alternator (1 Wire, 48–1/2" Long)(Snap Connect Female Pin Socket, And Bare Wire End)	655	691734	Anchor–Rewind Spring
501A	691188	Regulator (9 Amp Regulated)				668	690500	Spacer
503	691532	Strap–Starter				674	691058	Screw (Fuel Tank Bracket)
504	495659	Washer Set–Friction	579	691029	Nut (Starter Cable)	674A	691635	Screw (Fuel Tank Bracket)
505	691251	Nut (Governor Control Lever)	579A	691626	Nut (Starter Cable)	676	393761	Deflector–Muffler
507	691972	Insulator	579A	691626	Nut (Starter Cable)	676A	396903	Deflector–Muffler
510	497606	Drive–Starter	592	690800	Nut (Rewind Starter)	677	690661	Screw (Muffler Deflector)
510A	495878	Drive–Starter	594	691692	Screw (Rope Starter Pulley)	678	490817	Spacer–Rewind
513	692024	Clutch–Drive	597	691696	Screw (Pawl Friction Plate)	689	691855	Spring–Friction
520	691084	Terminal–Ground	601	95162	Clamp–Hose	691	★692407	Seal–Governor Shaft
523	692032	Dipstick	608	693900	Starter–Rewind (63" Length Rope) (Used After Code Date 98111500).	697	690372	Screw (Drive Cap)
		Note	608A	390391	Starter–Rewind (Used Before Code Date 98111600).	697A	691058	Screw (Drive Cap)
		692033 Dipstick Used on Type No(s). 1049, 1050.	613	691416	Screw (Muffler)	707	690279	Nut (Fuel Tank Strap)
524	★281370	Seal–Dipstick Tube	613A	691058	Screw (Muffler)	725	690403	Shield–Heat
525	691389	Tube–Dipstick	613B	690297	Screw (Muffler)	726	399676	Gear–Ring (Aluminum)
526	690297	Screw (Regulator) (5/8" Length)	614	691620	Pin–Cotter	727	395405	Cover–Starter Drive
526A	690326	Screw (Regulator) (1 1/4" Length)	616	691407	Crank–Governor	729C	691336	Clip–Wire
544	692034	Armature–Starter (3 5/8" Housing Length)	621	692310	Switch–Stop	732	691097	Screw (Starter Drive Cover)
544A	390837	Armature–Starter (3 5/8" Housing Length)	624	691415	Lever–Linkage	741	691284	Gear–Timing
		Note				758	691369	Counterweight
		490309 Armature– Starter (4 3/8" Housing Length)				775	690315	Nut (Toggle Switch)
						783	693059	Gear–Pinion

★ Included in Engine Gasket Set–Ref. No.358.

● Included in Carburetor Overhaul Kit–Ref. No. 121.

◆ Included in Carburetor Gasket Set–Ref. No. 977.

⊘ Included in Valve Gasket Set–Ref. No 1095.

Illustrations cover a range of engines. Parts shown without corresponding text may not be used on your specific engine.

256400

REF. NO.	PART NO.	DESCRIPTION	REF. NO.	PART NO.	DESCRIPTION	REF. NO.	PART NO.	DESCRIPTION	
789A	691402	Harness-Wiring Used on Type No(s). 0012, 0015, 0020, 0025, 0026, 0027, 0028, 0111, 0113, 0115, 0121, 0135, 0139, 0140, 0156, 0173, 0512, 0515, 0525, 0527, 0528, 0635, 0660, 0661, 0695, 0696, 1012, 1015, 1020, 1025, 1027, 1028, 1029, 1049, 1050, 1121, 1135, 1140, 1156, 1161, 1195, 1205, 1210.	813	690635	Clamp	877C	393537	Wire/Connector- Alternator	
			819	690661	Screw (Muffler Bracket)	878	691237	Harness-Alternator (2 Wires, 48-1/2", And 48-1/2" Long)(Snap Connect Female Pin Terminal, And 2 Bare Wire Ends)	
			823	690363	Screw (Muffler Adaptor)	878A	691955	Harness-Alternator	
			832	691404	Guard-Muffler	883	692236	Gasket-Exhaust	
			836	690367	Screw (Muffler Guard) (9/16" Long)	884	691956	Clamp-Muffler Used on Type No(s). 0128, 1154.	
			836A	692198	Screw (Muffler Guard) (7/16" Long)	896	691641	Pin-Drive Retainer	
			840	395408	Kit-Panel	904	492665	Bearing-Needle	
			842	★691870	Seal-O Ring (Dipstick Tube)	917	691737	Valve Handle-Shutoff	
			843	691322	Sleeve-Lever	930	691904	Guard-Rewind	
			847	497459	Dipstick/Tube Assembly	945	223159	Bracket-Starter Motor	
					Note	955	695659	Plug-Carburetor (Used After Code Date 00030800).	
789B	691403	Harness-Wiring			497458	Dipstick/Tube Assembly Used on Type No(s). 1049, 1050.	957	493988	Cap-Fuel Tank (Plastic)
795	496590	Switch-Toggle	851	493880	Terminal-Spark Plug	958	399517	Valve-Fuel Shutoff (Plastic)	
797	693167	Nut (Brush Retainer)	863	692865	Bracket-Muffler	967	492889	Filter-Pre Cleaner	
797B	691626	Nut (Brush Retainer)	864	497469	Adapter-Muffler	968	691925	Cover-Air Cleaner	
801	691429	Cap-Drive	868	692036	Seal-Valve	971	691003	Screw (Air Cleaner Base To Carburetor)	
802A	395537	Cap-End (3 5/8" Housing Length) Note	869	691802	Seat-Valve (Intake)	972	691993	Tank-Fuel (Plastic) Note	
		494988	870	691844	Seat-Valve (Exhaust)			695164	Tank-Fuel (Plastic) Used on Type No(s). 0515, 1006, 1008, 1012, 1015, 1020, 1027, 1028, 1029, 1049, 1050, 1070, 1072, 1139, 1154, 1161, 1174, 1176, 1195, 1203, 1205, 1210.
803	693757	Housing-Starter (3 5/8" Housing Length)	871	261961	Bushing-Valve Guide (Exhaust)				
803A	398159	Housing-Starter (3 5/8" Housing Length) Note	876	495877	Kit-Pinion Spring				
		494205	877	393456	Wire/Connector- Alternator				
		Housing- Starter (4 3/8" Housing Length)	877A	393814	Wire/Connector- Alternator				
			877B	399916	Wire/Connector- Alternator (2 Wires, 7-53/64" Long)(2 Bare Wire Ends, And Insulated Snap Connect Male Pin Terminal)				

★ Included in Engine Gasket Set-Ref. No.358.

● Included in Carburetor Overhaul Kit-Ref. No. 121.

◆ Included in Carburetor Gasket Set-Ref. No. 977.

⊘ Included in Valve Gasket Set-Ref. No 1095.

Illustrations cover a range of engines. Parts shown without corresponding text may not be used on your specific engine.

0603-14

Assemblies include all parts shown in frames.

5C-7/2002

REF. NO.	PART NO.	DESCRIPTION	REF. NO.	PART NO.	DESCRIPTION	REF. NO.	PART NO.	DESCRIPTION
975	495933	Bowl-Float	1036	695698	Label-Emissions (Used After Code Date 00063000).	1051	691265	Ring-Retaining
977	497069	Gasket Set-Carburetor				1054	280275	Tie-Cable
978	★273326	Gasket-Oil Gard®				1058	274786	Owner's Manual
979	691382	Cover-Oil Gard®				1090	691293	Retainer-Brush
980A	496605	Kit-Oil Gard®				1091	691333	Cap-Limiter (Used Before Code Date 00030900).
982	690351	Screw (OIL GARD)				1095	498538	Gasket Set-Valve
982A	690350	Screw (OIL GARD)				1113	691681	Screw (Panel)
987	●691326	Seal-Throttle Shaft				1113A	691693	Screw (Panel)
994	392390	Arrestor-Spark				1119	691183	Screw (Alternator)
1019	497156	Kit-Label				1127	691657	Screw (Float Bowl)
						1210	697843	Pulley/Spring Assembly (Used After Code Date 98111500).
						1211	697843	Pulley/Spring Assembly (Spring) (Used After Code Date 98111500).
			1046	691337	Plug-Blower Housing Used on Type No(s). 1139.			

★ Included in Engine Gasket Set-Ref. No.358.

● Included in Carburetor Overhaul Kit-Ref. No. 121.

◆ Included in Carburetor Gasket Set-Ref. No. 977.

⊘ Included in Valve Gasket Set-Ref. No 1095.

Illustrations cover a range of engines. Parts shown without corresponding text may not be used on your specific engine.