

**250400**

# Illustrated Parts List

## Model Series

# 250400

TYPE NUMBERS  
0101 through 1173.

For Use On Engines Built Before Date Code – 02072900

### TABLE OF CONTENTS

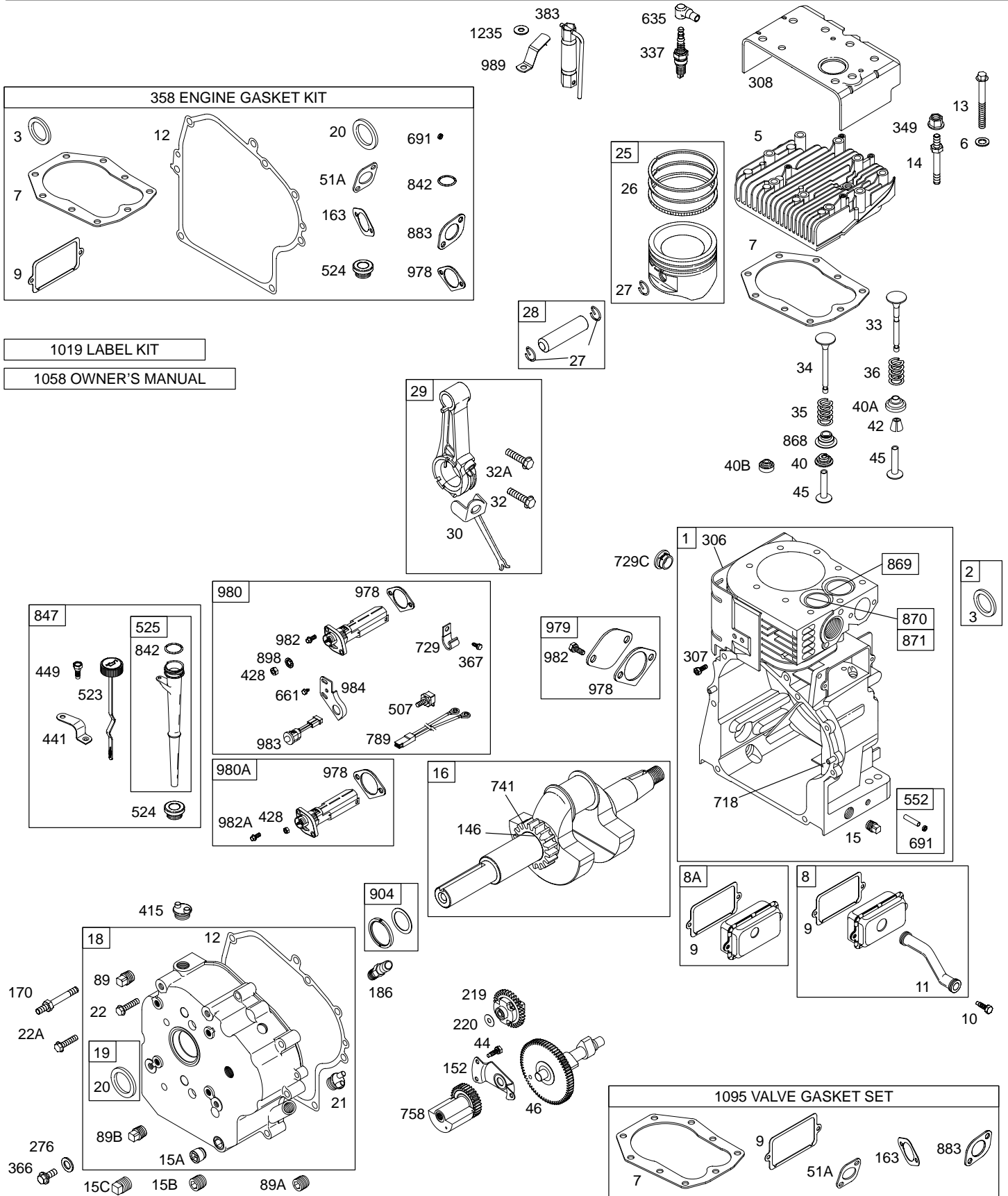
Alternator .....	7
Air Cleaner .....	4
Blower Housing/Shrouds .....	6
Cams .....	2
Carburetor .....	3
Controls .....	5
Crankcase Cover/Sump .....	2
Crankshaft .....	2
Cylinder .....	2
Electric Starter .....	7
Flywheel .....	6
Fuel Tank .....	5
Governor Springs .....	5
Head/Valves .....	2
Kits/Gasket Sets–Carburetor .....	3
Kits/Gasket Sets–Engine .....	2
Kits/Gasket Sets–Valves .....	2
Muffler .....	4
Oil .....	2
Piston .....	2
Rewind .....	6

PRINTED IN U.S.A.

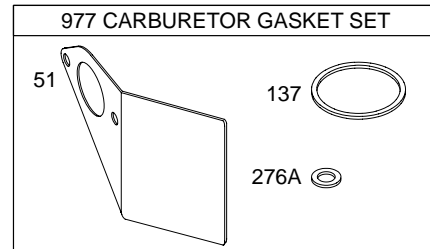
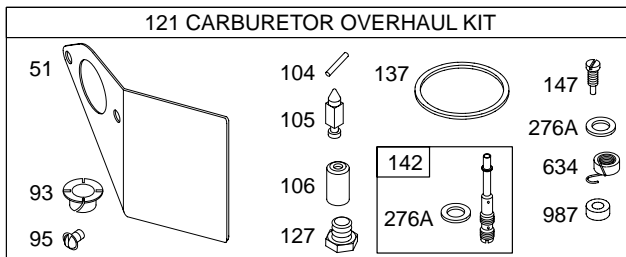
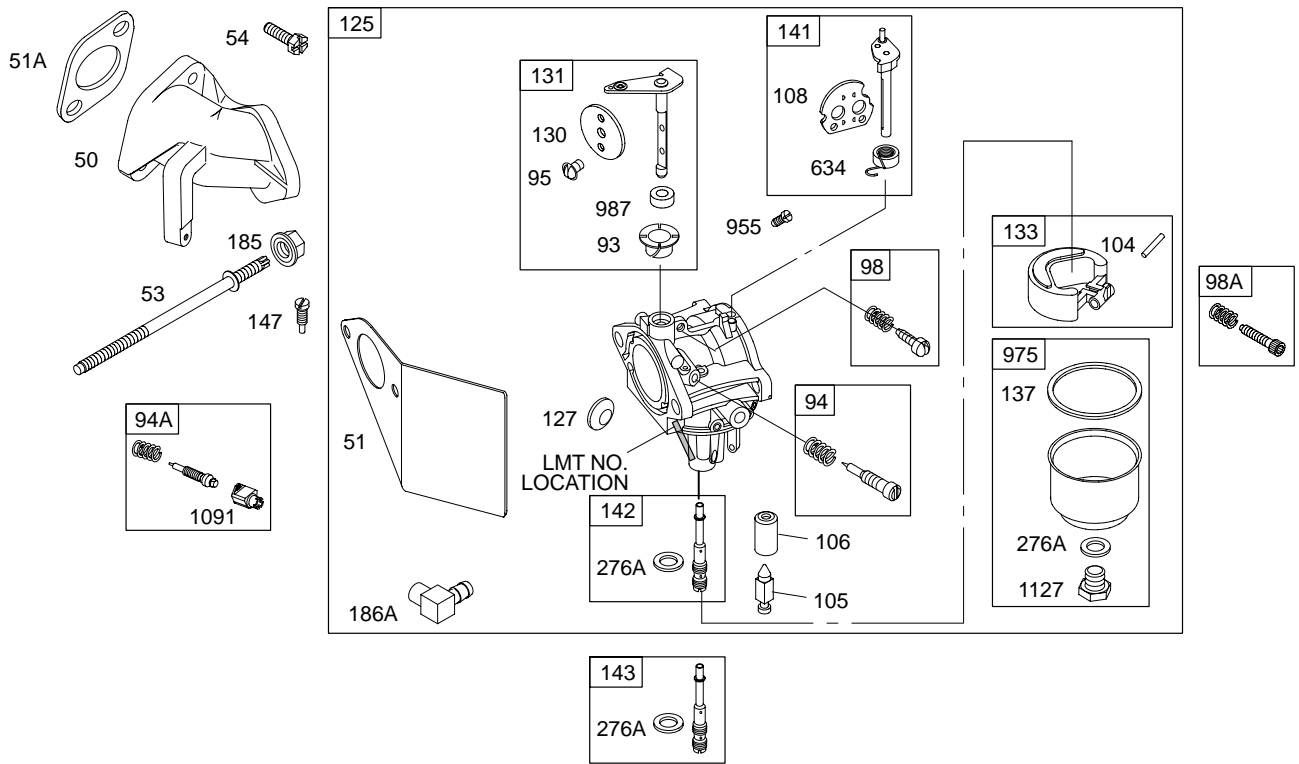


COPYRIGHT by BRIGGS & STRATTON CORPORATION  
All rights reserved. No part of this material may be reproduced or transmitted,  
in any form or by any means, electronic or mechanical, including photocopying,  
recording or by any information storage and retrieval system, without permission  
in writing from Briggs & Stratton Corporation.

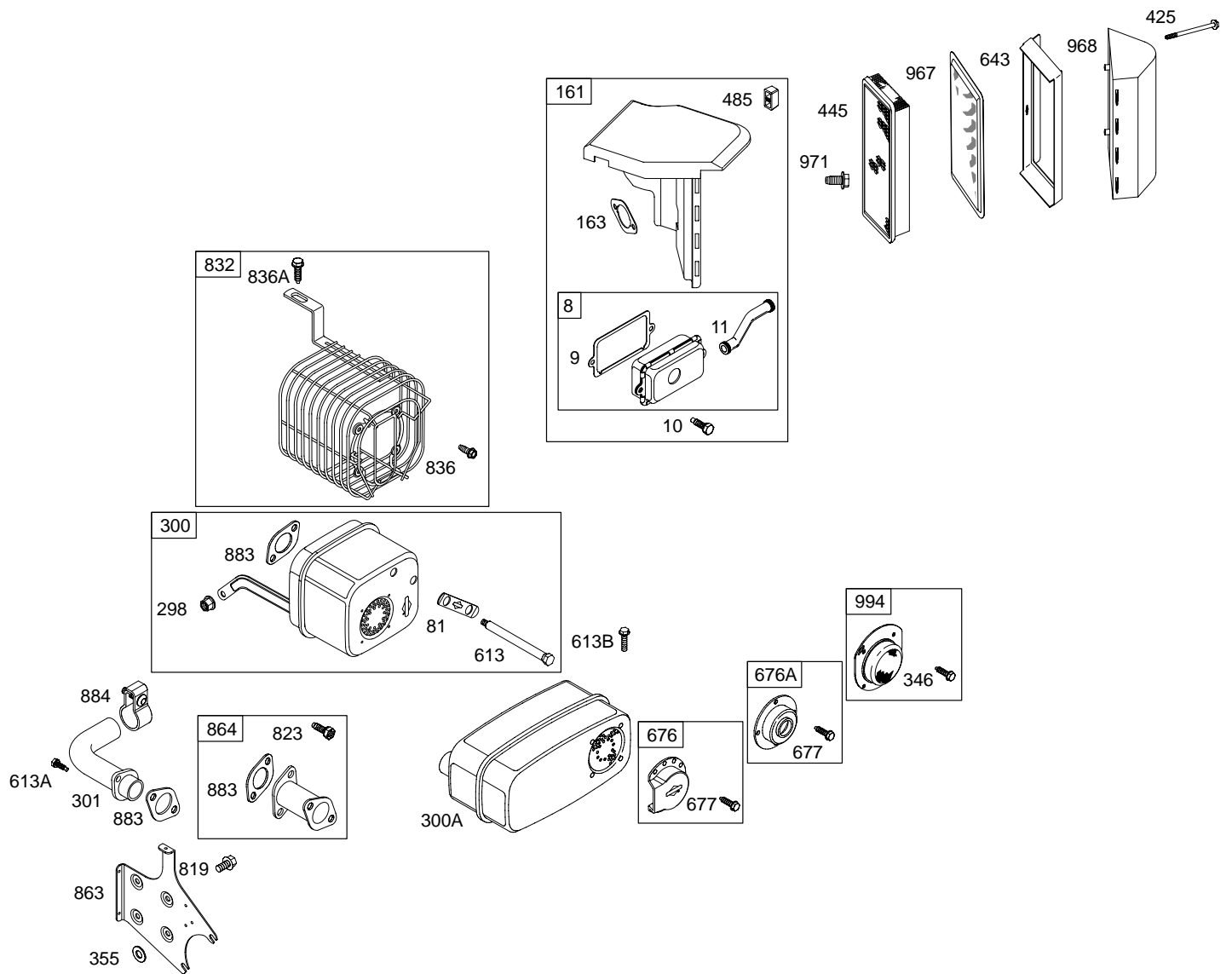
# 250400



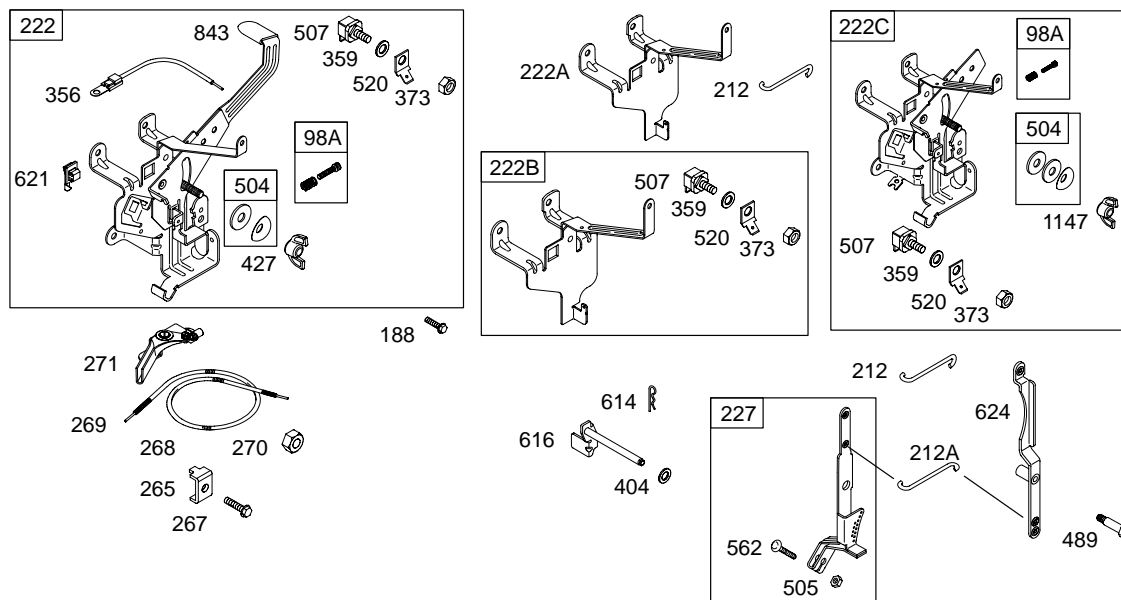
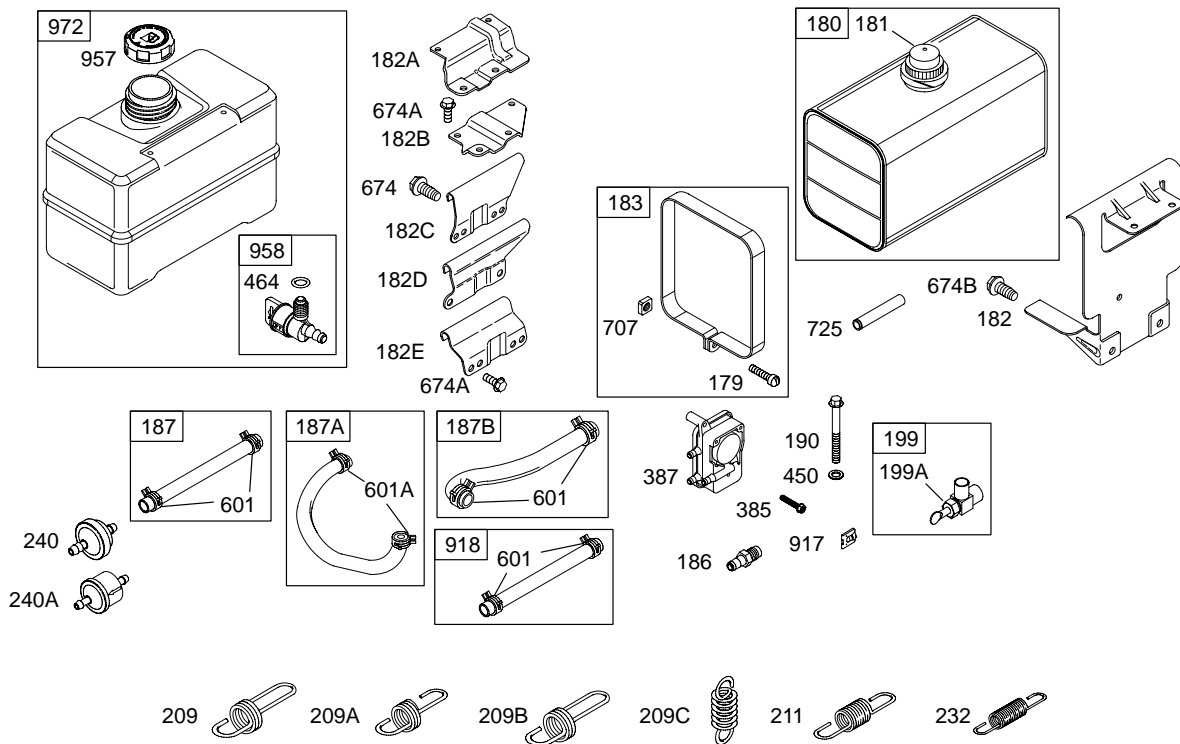
**Illustrations cover a range of engines. Parts shown without corresponding text may not be used on your specific engine.**  
**0582-2** Assemblies include all parts shown in frames. **5C-8/2002**



Illustrations cover a range of engines. Parts shown without corresponding text may not be used on your specific engine.  
 0582-3 Assemblies include all parts shown in frames. 5C-8/2002

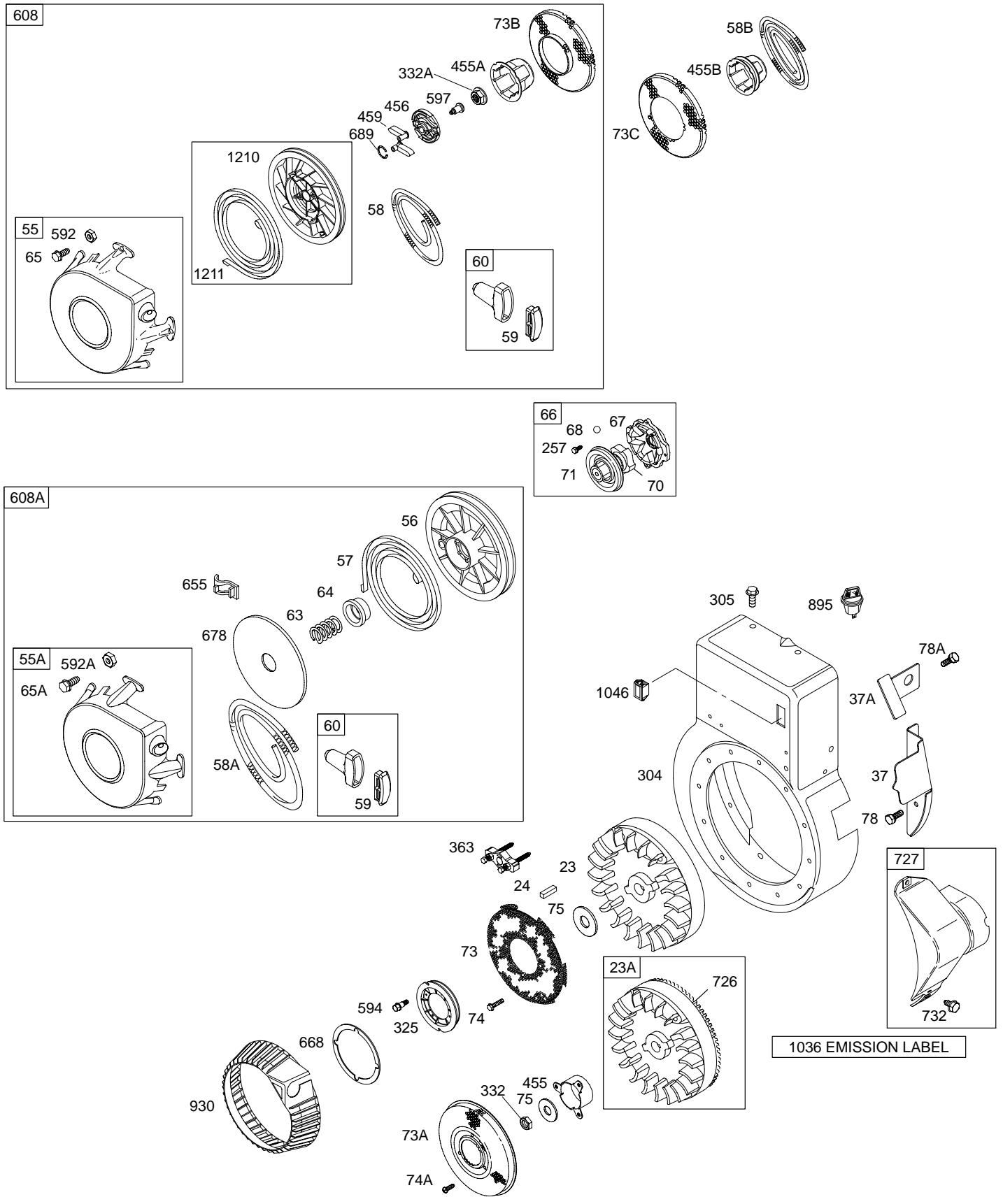


**Illustrations cover a range of engines. Parts shown without corresponding text may not be used on your specific engine.**  
**0582-4** Assemblies include all parts shown in frames. **5C-8/2002**

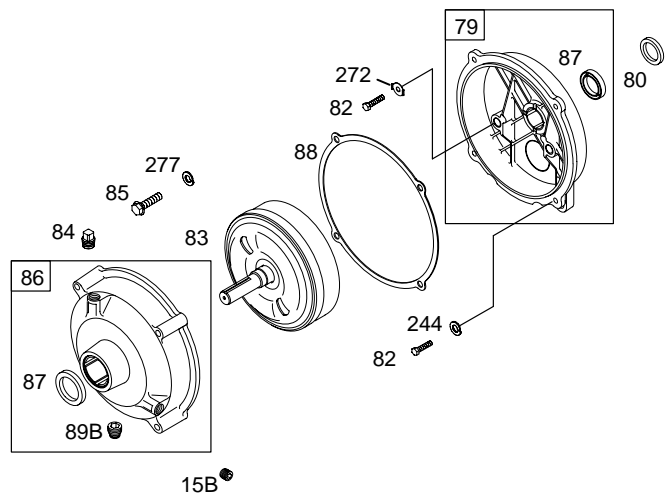
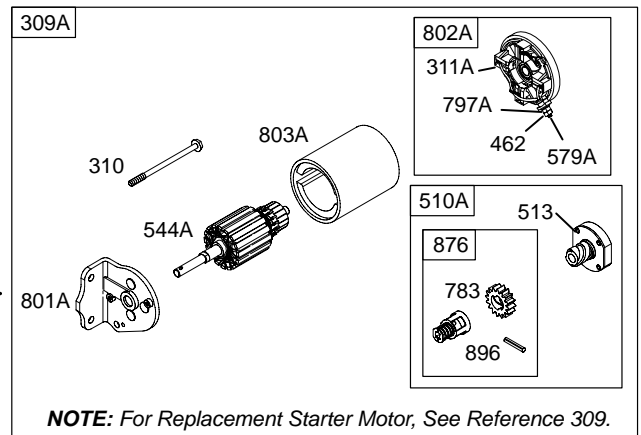
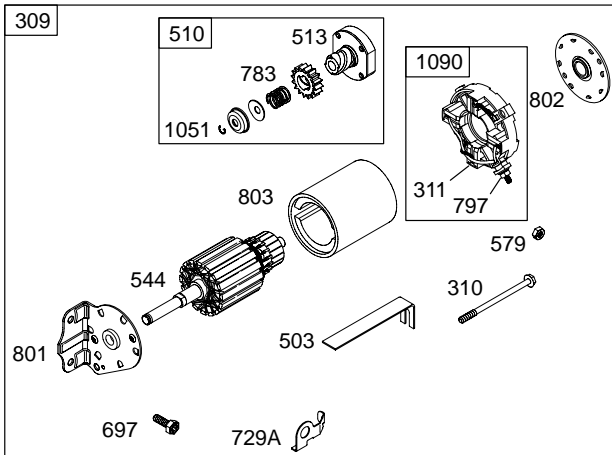
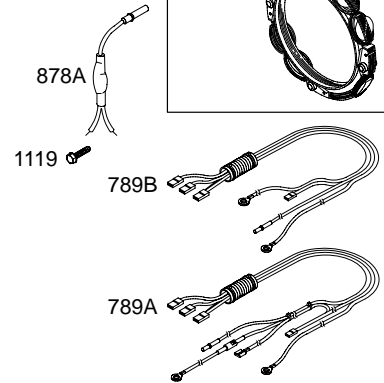
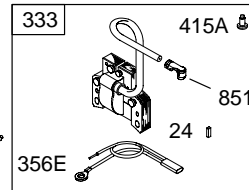
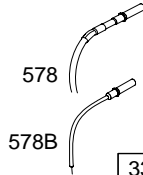
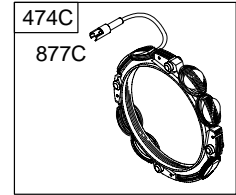
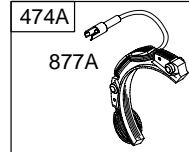
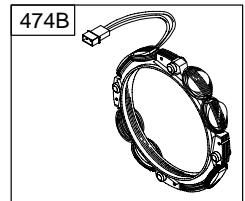
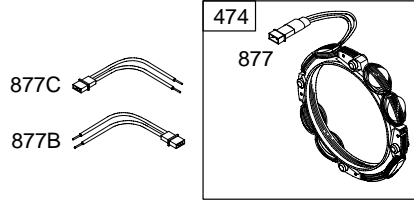
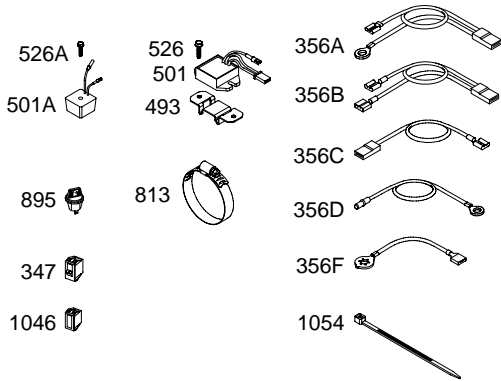
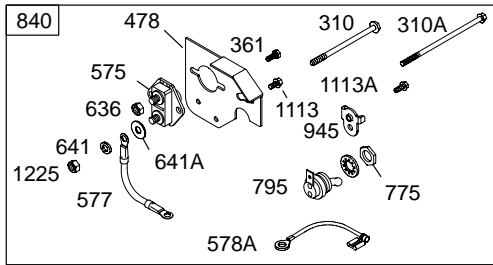


Illustrations cover a range of engines. Parts shown without corresponding text may not be used on your specific engine.  
 0582-5 Assemblies include all parts shown in frames. 5C-8/2002

# 250400



**Illustrations cover a range of engines. Parts shown without corresponding text may not be used on your specific engine.**  
**0582-6** Assemblies include all parts shown in frames. **5C-8/2002**



# 250400

REF. NO.	PART NO.	DESCRIPTION	REF. NO.	PART NO.	DESCRIPTION	REF. NO.	PART NO.	DESCRIPTION
1	497411	Cylinder Assembly ———— <b>Note</b> ———— <b>394699</b> Cylinder Assembly Used on Type No(s). 0101, 0172, 0173, 0503, 0515, 0526, 0571.	14	691690	Stud (Cylinder Head) ———— <b>Note</b> ———— <b>691109</b> Stud (Cylinder Head) (Used in positions 5 and 6) Used on Type No(s). 0101, 0173, 0401, 0515, 1015, 1101, 1136, 1173.	22A	694966	Screw (Crankcase Cover/ Sump) (2 1/8" Long)
2	399265	Kit-Bushing/Seal (Magneto Side)				23	690672	Flywheel
3	★391086	Seal-Oil (Magneto Side)	15	690946	Plug-Oil Drain (Square) ———— <b>Note</b> ———— <b>690289</b> Plug-Oil Drain (Magnetic)	23A	692048	Flywheel
5	691154	Head-Cylinder				24	222698	Key-Flywheel
7	∅★271866	Gasket-Cylinder Head	15A	691680	Plug-Oil Drain (Flush)	25	497551	Piston Assembly (Standard) ———— <b>Note</b> ———— <b>499284</b> Piston Assembly (Standard) Used on Type No(s). 1003, 1015, 1026, 1071, 1135, 1167.
8	498038	Breather Assembly (Used After Code Date 95010100).	15B	690343	Plug-Oil Drain (Hex Head)			<b>497552</b> Piston Assembly (.010" Oversize)
8A	495724	Breather Assembly (Used Before Code Date 95010200).	15C	691686	Plug-Oil Drain			<b>499288</b> Piston Assembly (.010" Oversize) Used on Type No(s). 1003, 1015, 1026, 1071, 1135, 1167.
9	∅★27803	Gasket-Breather	16	399723	Crankshaft ———— <b>Note</b> ———— <b>491642</b> Crankshaft Used on Type No(s). 0571, 1071, 1118. <b>491644</b> Crankshaft Used on Type No(s). 0173, 0526, 1026, 1136, 1167, 1173. <b>491645</b> Crankshaft Used on Type No(s). 0172, 0503, 1003, 1117, 1135.			<b>497553</b> Piston Assembly (.020" Oversize)
10	691666	Screw (Breather Assembly)	18	496985	Cover-Crankcase			<b>499292</b> Piston Assembly (.020" Oversize) Used on Type No(s). 1003, 1015, 1026, 1071, 1135, 1167.
11	691907	Tube-Breather (Used After Code Date 95010100). ———— <b>Note</b> ———— <b>281426</b> Tube-Breather (Used Before Code Date 95010200).	19	399264	Kit-Bushing/Seal (PTO Side)			<b>497554</b> Piston Assembly (.030" Oversize)
12	★692281	Gasket-Crankcase (.015" Standard) ———— <b>Note</b> ———— ★ <b>272219</b> Gasket- Crankcase (.005" Thick) ★ <b>272220</b> Gasket- Crankcase (.009" Thick)	20	★291675	Seal-Oil (PTO Side)			<b>499296</b> Piston Assembly (.030" Oversize) Used on Type No(s). 1003, 1015, 1026, 1071, 1135, 1167.
13	690904	Screw (Cylinder Head)	21	281658	Cap-Oil Fill			
			22	691625	Screw (Crankcase Cover/ Sump)			

★ Included in Engine Gasket Set-Ref. No.358.

● Included in Carburetor Overhaul Kit-Ref. No. 121.

◆ Included in Carburetor Gasket Set-Ref. No. 977.

∅ Included in Valve Gasket Set-Ref. No 1095.

*Illustrations cover a range of engines. Parts shown without corresponding text may not be used on your specific engine.*

0582-8

Assemblies include all parts shown in frames.

5C-8/2002



REF. NO.	PART NO.	DESCRIPTION	REF. NO.	PART NO.	DESCRIPTION	REF. NO.	PART NO.	DESCRIPTION
26	495854	Ring Set (Standard) <b>Note</b> — 495852 Ring Set (.010" Oversize) Used on Type No(s). 1003, 1015, 1026, 1071, 1135, 1167. 497524 Ring Set (.020" Oversize) 495851 Ring Set (.020" Oversize) Used on Type No(s). 1003, 1015, 1026, 1071, 1135, 1167. 497525 Ring Set (.030" Oversize) 495855 Ring Set (.030" Oversize) Used on Type No(s). 1003, 1015, 1026, 1071, 1135, 1167.	29	490348	Rod—Connecting (Standard) <b>Note</b> — 490469 Rod— Connecting (.020" Undersize)	53	691672	Stud (Carburetor)
			30	694612	Dipper—Connecting Rod (Use Mounting Hardware for Connecting Rod) (Used After Code Date 99092000) <b>Note</b> — 690405 Dipper— Connecting Rod (Use Mounting Hardware for Connecting Rod) (Used Before Code Date 99091900)	54	690953	Screw (Intake Manifold)
						55	693904	Housing—Rewind Starter (Used After Code Date 98111500).
			32	690348	Screw (Connecting Rod) <b>Note</b> — 690356 Screw (Connecting Rod)	55A	393576	Housing—Rewind Starter (Used Before Code Date 98111600).
27	691792	Lock—Piston Pin <b>Note</b> — 691299 Lock—Piston Pin Used on Type No(s). 1003, 1015, 1026, 1071, 1135, 1167.	33	691796	Valve—Exhaust	56	295871	Pulley—Starter (Includes 63" Long Rope) (Used Before Code Date 98111600).
			34	690429	Valve—Intake	57	490179	Spring—Rewind Starter (Used Before Code Date 98111600).
			35	691605	Spring—Valve (Intake)	58	692188	Rope—Starter (63" Long)
			36	691597	Spring—Valve (Exhaust)	58A	695002	Rope—Starter (99" Long)
28	299691	Pin—Piston (Standard) <b>Note</b> — 498319 Pin—Piston (Standard) Used on Type No(s). 1003, 1015, 1026, 1071, 1135, 1167. 391286 Pin—Piston (.005" Oversize) 498320 Pin—Piston (.005" Oversize) Used on Type No(s). 1003, 1015, 1026, 1071, 1135, 1167.	37	690490	Guard—Flywheel	58B	693389	Rope—Starter (70" Long)
			37A	690488	Guard—Flywheel	59	490653	Insert—Grip
			40	690656	Retainer—Valve (One Piece)	60	490652	Grip—Starter Rope
			40A	691939	Retainer—Valve	63	690547	Spring—Ratchet
			42	494553	Keeper—Valve (Two Piece)	64	691920	Adapter—Ratchet Spring
			44	691666	Screw (Counterweight Retainer)	65	690759	Screw Rewind Starter) (Used Before Code Date 98111600).
			45	691811	Tappet—Valve	65A	690837	Screw (Rewind Starter) (Used After Code Date 98111500).
			46	692123	Camshaft	66	399671	Clutch—Starter (Used Before Code Date 99030100).
			50	691157	Manifold—Intake	67	394897	Housing—Clutch
			51	◆691886	Gasket—Intake (Carburetor to Manifold)	68	691604	Ball—Clutch
			51A	∅◆691885	Gasket—Intake (Manifold to Engine)	70	691945	Ratchet—Clutch
						71	691359	Cover—Ratchet
						73	691754	Screen—Rotating
						73A	691748	Screen—Rotating

★ Included in Engine Gasket Set—Ref. No.358.

● Included in Carburetor Overhaul Kit—Ref. No. 121.

◆ Included in Carburetor Gasket Set—Ref. No. 977.

∅ Included in Valve Gasket Set—Ref. No 1095.

**Illustrations cover a range of engines. Parts shown without corresponding text may not be used on your specific engine.**

# 250400

REF. NO.	PART NO.	DESCRIPTION	REF. NO.	PART NO.	DESCRIPTION	REF. NO.	PART NO.	DESCRIPTION
73B	695160	Screen—Rotating	125	695501	Carburetor (Used After Code Date 00030800).			————— <b>Note</b> ————— <b>690145</b> Nozzle— Carburetor (Standard) (Used Before Code Date 00030900). Used on Type No(s). 1003, 1015, 1026, 1071, 1101, 1117, 1118, 1135, 1136, 1167, 1173.
73C	694020	Screen—Rotating (Used with 99" Rope)			Used on Type No(s). 1003, 1026, 1071, 1101, 1135, 1136, 1167, 1173.			
74	691627	Screw (Rotating Screen)			————— <b>Note</b> ————— <b>695501</b> Carburetor (Used Before Code Date 00030900). Used on Type No(s). 0101, 0172, 0173, 0503, 0515, 0526, 0571, 1003, 1015, 1026, 1011, 1135, 1136, 1167.			
74A	691655	Screw (Rotating Screen)			<b>695503</b> Carburetor (Used After Code Date 00030800). Used on Type No(s). 1117, 1118.	143	695836	Nozzle— Carburetor (High Altitude) (Used After Code Date 00030800). Used on Type No(s). 1003, 1026, 1071, 1101, 1117, 1118, 1135, 1136, 1167, 1173.
75	690582	Washer (Flywheel)			————— <b>Note</b> ————— <b>694524</b> Plug—Welch (Used After Code Date 00030800).			<b>499744</b> Nozzle— Carburetor (High Altitude) (Used Before Code Date 00030900). Used on Type No(s). 1003, 1015, 1026, 1071, 1117, 1118, 1135, 1136, 1167, 1173.
78	690364	Screw (Flywheel Guard)			<b>691750</b> Valve—Throttle			<b>497449</b> Nozzle— Carburetor (High Altitude) Used on Type No(s). 0101, 0172, 0173, 0503, 0515, 0526, 0571.
81	691178	Lock—Muffler Screw			<b>497846</b> Kit—Throttle Shaft			
89	691686	Plug—Oil			<b>494381</b> Float—Carburetor			
89B	690283	Plug—Oil Drain (Square Head)			<b>281165</b> Gasket—Float Bowl			
93	690602	Bushing—Throttle Shaft			<b>497160</b> Kit—Choke Shaft			
94	498030	Kit—Idle Mixture			<b>695835</b> Nozzle—Carburetor (Standard) (Used After Code Date 00030800). Used on Type No(s). 1003, 1026, 1071, 1101, 1117, 1118, 1135, 1136, 1167, 1173.			
94A	496589	Kit—Idle Mixture (Used on LMT 175)			————— <b>Note</b> ————— <b>691780</b> Seat—Inlet (Used Before Code Date 98060200).			
		————— <b>Note</b> ————— <b>494383</b> Kit—Idle Mixture (Used on LMT 71, 101)			<b>691750</b> Valve—Throttle			
95	691636	Screw (Throttle Valve)			<b>497846</b> Kit—Throttle Shaft			
98	495800	Kit—Idle Speed			<b>494381</b> Float—Carburetor			
98A	493280	Kit—Idle Speed			<b>281165</b> Gasket—Float Bowl			
104	690525	Pin—Float Hinge	127	695005	Plug—Welch			
105	691782	Valve—Float Needle			————— <b>Note</b> ————— <b>694524</b> Plug—Welch (Used After Code Date 00030800).			
106	690577	Seat—Inlet (Used After Code Date 98060100).			<b>691750</b> Valve—Throttle			
		————— <b>Note</b> ————— <b>691780</b> Seat—Inlet (Used Before Code Date 98060200).			<b>497846</b> Kit—Throttle Shaft			
108	690467	Valve—Choke			<b>494381</b> Float—Carburetor			
121	497450	Kit—Carburetor Overhaul			<b>281165</b> Gasket—Float Bowl			
					<b>497160</b> Kit—Choke Shaft			
					<b>695835</b> Nozzle—Carburetor (Standard) (Used After Code Date 00030800). Used on Type No(s). 1003, 1026, 1071, 1101, 1117, 1118, 1135, 1136, 1167, 1173.			

★ Included in Engine Gasket Set—Ref. No.358.

● Included in Carburetor Overhaul Kit—Ref. No. 121.

◆ Included in Carburetor Gasket Set—Ref. No. 977.

⊘ Included in Valve Gasket Set—Ref. No 1095.

*Illustrations cover a range of engines. Parts shown without corresponding text may not be used on your specific engine.*

REF. NO.	PART NO.	DESCRIPTION	REF. NO.	PART NO.	DESCRIPTION	REF. NO.	PART NO.	DESCRIPTION	
146	691639	Key—Timing	209A	263055	Spring—Governor (Used Before Code Date 97042800).	265	691024	Clamp—Casing	
147	●497472	Jet—Pilot (Used on LMT 71, 101)	209B	692910	Spring—Governor (Used After Code Date 97042700).	267	690804	Screw (Casing Clamp)	
152	691172	Retainer— Counterweight				268	691025	Casing—Control Wire (Cut to Required Length)	
161	498544	Base—Air Cleaner (Metal)			<b>Note</b>	269	691026	Wire—Control (Cut to Required Length)	
163	∅★692277	Gasket—Air Cleaner			692905	Spring— Governor	270	691027	Nut (Control Wire Casing)
170	691695	Stud (Crankcase Cover/ Sump)			(Used After Code Date 97042700). Used on Type No(s). 0172, 0503, 0571, 1003, 1071, 1117, 1118, 1135, 1173.	271	691028	Lever—Control (Magneto Armature)	
179	690280	Screw (Fuel Tank Strap)	211	692912	Spring—Governed Idle (Used After Code Date 97042700).	276	690258	Washer—Sealing	
180	291488	Tank—Fuel (Metal)				276A	692255	Washer—Sealing	
181	392305	Cap—Fuel Tank (Metal)	212	691853	Link—Throttle (Upper)	298	691105	Locknut—Muffler/Elbow	
182	691200	Bracket—Fuel Tank (Metal Fuel Tank)	212A	691294	Link—Throttle (Lower)	300	497470	Muffler	
182A	695726	Bracket—Fuel Tank (Top) Used on Type No(s). 1003, 1026, 1071, 1135, 1167, 1173.	219	496786	Gear—Governor	304	398595	Housing—Blower <b>Note</b>	
182B	691199	Bracket—Fuel Tank (Top)	220	691724	Washer (Governor Gear)			497591	Housing— Blower Used on Type No(s). 1173
182D	690487	Bracket—Fuel Tank (Bottom)	222	691479	Bracket—Control (Used After Code Date 97042700).	305	692198	Screw (Blower Housing)	
182E	694592	Bracket—Fuel Tank (Bottom)			<b>Note</b>	306	690489	Shield—Cylinder	
183	691937	Strap—Fuel Tank			691481	Bracket— Control (Used After Code Date 97042700). Used on Type No(s). 0172, 0503, 0571, 1003, 1071, 1135.	307	691003	Screw (Cylinder Shield)
186	691764	Connector—Hose				308	690491	Cover—Cylinder Head	
186A	692317	Connector—Hose			499723	Bracket— Control (Used Before Code Date 97042800).	309	693054	Motor—Starter (3 5/8" Housing Length)
187	296004	Line—Fuel (Cut to Required Length)						<b>Note</b>	
187A	497029	Line—Fuel (Molded)				309A		499521	Motor—Starter (4 3/8" Housing Length)
187B	691049	Line—Fuel (Molded)	222A	693348	Bracket—Control				Motor—Starter For Replacement Starter Motor, Order Ref 309)
188	691693	Screw (Control Bracket)	222B	694183	Bracket—Control Used on Type No(s). 1003, 1071, 1117, 1118, 1135.	310	690323	Screw (Starter Motor) (For 3 5/8" Housing Length)	
190	690904	Screw (Fuel Tank)	227	692143	Lever—Governor Control			<b>Note</b>	
199A	692302	Valve—Fuel Shut Off (Metal)	232	691848	Spring—Governor Link			691263	Screw (Starter Motor) (For 4 3/8" Housing Length)
		<b>Note</b>	240	691035	Filter—Fuel				
		691940	240A	298090	Filter—Fuel	310A	692329	Screw (Starter Motor)	
		Valve—Fuel Shut Off (Metal)	257	691660	Screw (Starter Clutch)				

★ Included in Engine Gasket Set—Ref. No.358.

● Included in Carburetor Overhaul Kit—Ref. No. 121.

◆ Included in Carburetor Gasket Set—Ref. No. 977.

∅ Included in Valve Gasket Set—Ref. No. 1095.

Illustrations cover a range of engines. Parts shown without corresponding text may not be used on your specific engine.

# 250400

REF. NO.	PART NO.	DESCRIPTION	REF. NO.	PART NO.	DESCRIPTION	REF. NO.	PART NO.	DESCRIPTION
311	497608	Brush Set	359	691077	Washer (Ground Terminal)	462	691075	Washer (Starter Cable)
311A	395538	Brush Set (For 3 5/8" and 4 3/8" Housing Lengths)	361	691681	Screw (Starting Switch)	464	691898	Seal-O Ring (Fuel Shut Off Valve)
332	690662	Nut (Flywheel)	363	19203	Puller Flywheel	474	691063	Alternator (Dual Circuit)
332A	693899	Nut (Flywheel)	366	690304	Plug (Timing Hole Plug)	474A	691953	Alternator (DC Only) Used on Type No(s). 1167.
333	398811	Armature-Magneto	367	692198	Screw (Wire Clip)	474B	691064	Alternator
334	691061	Screw (Magneto Armature)	373	691612	Nut (Ground Terminal)	478	395410	Panel
337	802592	Plug-Spark	383	89838	Wrench-Spark Plug	485	692295	Knob-Control
346	690661	Screw (Spark Arrestor)	385	691673	Screw (Fuel Pump)	489	691776	Screw (Linkage Lever)
347	691995	Switch-Rocker Used on Type No(s). 1173.	387	692026	Pump-Fuel	493	691177	Bracket-Mounting Used on Type No(s). 1167.
349	691105	Nut (Cylinder Head Cover)	404	691691	Washer (Governor Crank)	501	691185	Regulator Used on Type No(s). 1167.
356	691408	Wire-Stop (1 Wire, 4" Long)(Snap Connect Insulated Ring Terminal, And Bare Wire End)	413	691029	Nut (Starter Motor)	503	691532	Strap-Starter
356A	491391	Wire-Stop (2 Wires, 5-33/64" And 15-23/32" Long)(Snap Connect Insulated Female Blade Terminal, And 2 Push-On Female Blade Terminals)	415	690304	Plug	504	495659	Washer Set-Friction
356B	398838	Wire-Stop (2 Wire, 15-23/32" And 15-23/32" Long)(Snap Connect Insulated Female Blade Terminal, And 2 Push-On Female Blade Terminals)	415A	690283	Plug (Square Head) <b>Note</b> 693463 Plug Used on Type No(s). 1003, 1117, 1135.	505	691251	Nut (Governor Control Lever)
356C	491927	Wire-Stop (1 Wire, 17-13/64" Long)(Snap COnnect Insulated Female Blade Terminal, And Push-On Female Blade Terminal)	425	691671	Screw (Air Cleaner Cover)	507	691972	Insulator
358	497511	Gasket Set-Engine	427	690355	Nut (Control Bracket)	510	497606	Drive-Starter
			428	691612	Nut (OIL GARD®Kit)	510A	495878	Drive-Starter
			441	691217	Bracket-Oil Fill	513	692024	Clutch-Drive
			445	691643	Filter-Air Cleaner Cartridge	520	691084	Terminal-Ground
			449	691130	Screw (Oil Fill Bracket)	523	692032	Dipstick
			450	691261	Washer (Fuel Tank Bracket) Used on Type No(s). 1167.	524	★281370	Seal-Dipstick Tube
			455	691173	Cup-Flywheel	525	691389	Tube-Dipstick
			455A	695160	Cup-Flywheel	544	692034	Armature-Starter (3 5/8" Housing Length)
			455B	694017	Cup-Flywheel (Used with 99" Rope)	544A	390837	Armature-Starter (3 5/8" Housing Length)
			456	692299	Plate-Pawl Friction			<b>Note</b> 490309 Armature- Starter (4 3/8" Housing Length)
			459	281505	Pawl-Ratchet	552	491893	Bushing-Governor Crank
						562	92613	Bolt (Governor Control Lever)
						575	692303	Switch-Starting
						577	690630	Cable-Starter

★ Included in Engine Gasket Set-Ref. No.358.

● Included in Carburetor Overhaul Kit-Ref. No. 121.

◆ Included in Carburetor Gasket Set-Ref. No. 977.

⊘ Included in Valve Gasket Set-Ref. No 1095.

*Illustrations cover a range of engines. Parts shown without corresponding text may not be used on your specific engine.*

REF. NO.	PART NO.	DESCRIPTION	REF. NO.	PART NO.	DESCRIPTION	REF. NO.	PART NO.	DESCRIPTION
578A	690647	Wire Assembly (1 Wire, 23" Long)(Insulated-Support Ring Terminal, And Push-On Insulated-Support Female Blade Terminal)	641A	690282	Washer (Starting Switch)	758	691369	Counterweight
578B	692306	Wire Assembly (1 Wire, 48-1/2" Long)(Snap Connect Female Pin Socket, And Bare Wire End)	643	691926	Retainer-Air Filter	775	690315	Nut (Toggle Switch)
579	691029	Nut (Starter Cable)	654	690958	Nut (Carburetor)	783	693059	Gear-Pinion
579A	691626	Nut (Starter Cable)	655	691734	Anchor-Rewind Spring	789	398661	Harness-Wiring
592	690800	Nut (Rewind Starter)	661	690661	Screw (OIL GARD® Light Bracket)	789A	691402	Harness-Wiring Used on Type No(s). 1173.
597	691696	Screw (Pawl Friction Plate)	674	691058	Screw (Fuel Tank Bracket)	795	496590	Switch-Toggle
601	95162	Clamp-Hose (Green)	674A	691635	Screw (Fuel Tank Bracket)	797	693167	Nut (Brush Retainer)
601A	691038	Clamp-Hose (Black)	674B	690372	Screw (Fuel Tank Bracket) Used on Type No(s). 1135.	797A	690958	Nut (Brush Retainer)
608	693900	Starter-Rewind (63" Long Rope) (Used After Code Date 98111500).	676	393761	Deflector-Muffler	801	691429	Cap-Drive
608A	390391	Starter-Rewind (Used Before Code Date 98111600).	676A	396903	Deflector-Muffler	802	691286	Cap-End
613	691416	Screw (Muffler)	677	690661	Screw (Muffler Deflector)	802A	395537	Cap-End (3 5/8" Housing Length)
614	691620	Pin-Cotter	678	490817	Spacer-Rewind			<b>Note</b>
616	691407	Crank-Governor	689	691855	Spring-Friction	803	693757	Housing-Starter (3 5/8" Housing Length)
621	692310	Switch-Stop	691	692407	Seal-Governor Shaft	803A	398159	Housing-Starter (3 5/8" Housing Length)
624	691415	Lever-Linkage	697	690372	Screw (Drive Cap)			<b>Note</b>
634	690802	Spring/Seal Assembly	697A	691058	Screw (Drive Cap)	803	693757	Housing-Starter (3 5/8" Housing Length)
635	66538	Boot-Sparkplug	707	690279	Nut (Fuel Tank Strap)	803A	398159	Housing-Starter (3 5/8" Housing Length)
636	691029	Nut (Starting Switch)	718	690959	Pin-Locating			<b>Note</b>
641	691075	Washer (Starting Switch)	725	690403	Shield-Heat	813	690635	Clamp Used on Type No(s). 1167.
			726	399676	Gear-Ring	823	690363	Screw (Muffler Adaptor)
			727	395405	Cover-Starter Drive	840	395408	Kit-Panel
			729	690430	Clip-Wire	842	691870	Seal-O Ring (Dipstick Tube)
			729A	691224	Clip-Wire	843	691322	Sleeve-Lever
			729B	224723	Clip-Wire	847	497459	Dipstick/Tube Assembly
			732	691097	Screw (Starter Drive Cover)	851	493880	Terminal-Spark Plug
			741	691284	Gear-Timing			

★ Included in Engine Gasket Set-Ref. No.358.

● Included in Carburetor Overhaul Kit-Ref. No. 121.

◆ Included in Carburetor Gasket Set-Ref. No. 977.

∅ Included in Valve Gasket Set-Ref. No 1095.

*Illustrations cover a range of engines. Parts shown without corresponding text may not be used on your specific engine.*

# 250400

REF. NO.	PART NO.	DESCRIPTION	REF. NO.	PART NO.	DESCRIPTION	REF. NO.	PART NO.	DESCRIPTION
864	497469	Adapter-Muffler	968	691925	Cover-Air Cleaner	1051	691265	Ring-Retaining
868	692036	Seal-Valve	971	691003	Screw (Air Cleaner Base To Carburetor)	1054	280275	Tie-Cable
869	691802	Seat-Valve (Intake)				1058	274786	Owner's Manual (Emission)
870	691844	Seat-Valve (Exhaust)	972	691993	Tank-Fuel (Plastic) (4 Quart)	1090	691293	Retainer-Brush
871	261961	Bushing-Valve Guide (Exhaust)			<b>Note</b>	1091	691333	Cap-Limiter
876	495877	Kit-Pinion Spring			695164	1095	498538	Gasket Set-Valve
877	393456	Wire/Connector- Alternator			(Plastic) (6 Quart)	1113	691681	Screw (Panel)
877A	393814	Wire/Connector- Alternator	975	495933	Bowl-Float	1113A	691693	Screw (Panel)
877B	399916	Wire/Connector- Alternator (2 Wires, 7-53/64" Long)(2 Bare Wire Ends, And Insulated Snap Connect Male Pin Terminal)	977	497069	Gasket Set-Carburetor	1119	691183	Screw (Alternator)
			978	★273326	Gasket-Oil Gard®	1127	691657	Screw (Float Bowl)
			979	691382	Cover-Oil Gard®	1210	697843	Pulley/Spring Assembly (Pulley) (Used After Code Date 98111500).
			980	398182	Kit-Oil Gard®			
			982	690351	Screw (OIL GARD)			
			982A	690350	Screw (OIL GARD)			
878	691237	Harness-Alternator (2 Wires, 48-1/2", And 48-1/2" Long)(Snap Connect Female Pin Terminal, And 2 Bare Wire Ends)	983	398660	Light-Indicator	1211	697843	Pulley/Spring Assembly (Spring) (Used After Code Date 98111500).
			984	692340	Bracket-Oil Gard® Light			
			987	●691326	Seal-Throttle Shaft			
			989	690633	Stopswitch-Spark Plug Used on Type No(s). 1167.	1235	691261	Washer (Spark Plug Stops- witch) Used on Type No(s). 1167.
883	∅★692236	Gasket-Exhaust	994	392390	Arrestor-Spark			
895	692309	Switch-Rotary	1019	491195	Kit-Label			
896	691641	Pin-Drive Retainer	1036	695698	Label-Emissions (Used After Code Date 00063000).			
898	691077	Washer (OIL GARD®Kit)			<b>Note</b>			
917	691737	Handle-Shut Off Valve			695102			
918	393815	Hose-Vacuum			Label- Emissions (Used After Code Date 99093000 and Before Code Date 00070100).			
945	223159	Bracket-Starter Motor			694324			
955	695659	Plug-Carburetor (Used After Code Date 00030800).			Label- Emissions (Used Before Code Date 99100100 and After Code Date 98123100).			
957	493988	Cap-Fuel Tank (Plastic)			499360			
958	399517	Valve-Fuel Shut Off (Plastic)			Label- Emissions (Used Before Code Date 99010100).			
967	492889	Filter-Pre Cleaner						

★ Included in Engine Gasket Set-Ref. No.358.

● Included in Carburetor Overhaul Kit-Ref. No. 121.

◆ Included in Carburetor Gasket Set-Ref. No. 977.

∅ Included in Valve Gasket Set-Ref. No 1095.

*Illustrations cover a range of engines. Parts shown without corresponding text may not be used on your specific engine.*