

12F800

Illustrated Parts List

Model Series

12F800

TYPE NUMBERS
0600 through 3511.

TABLE OF CONTENTS

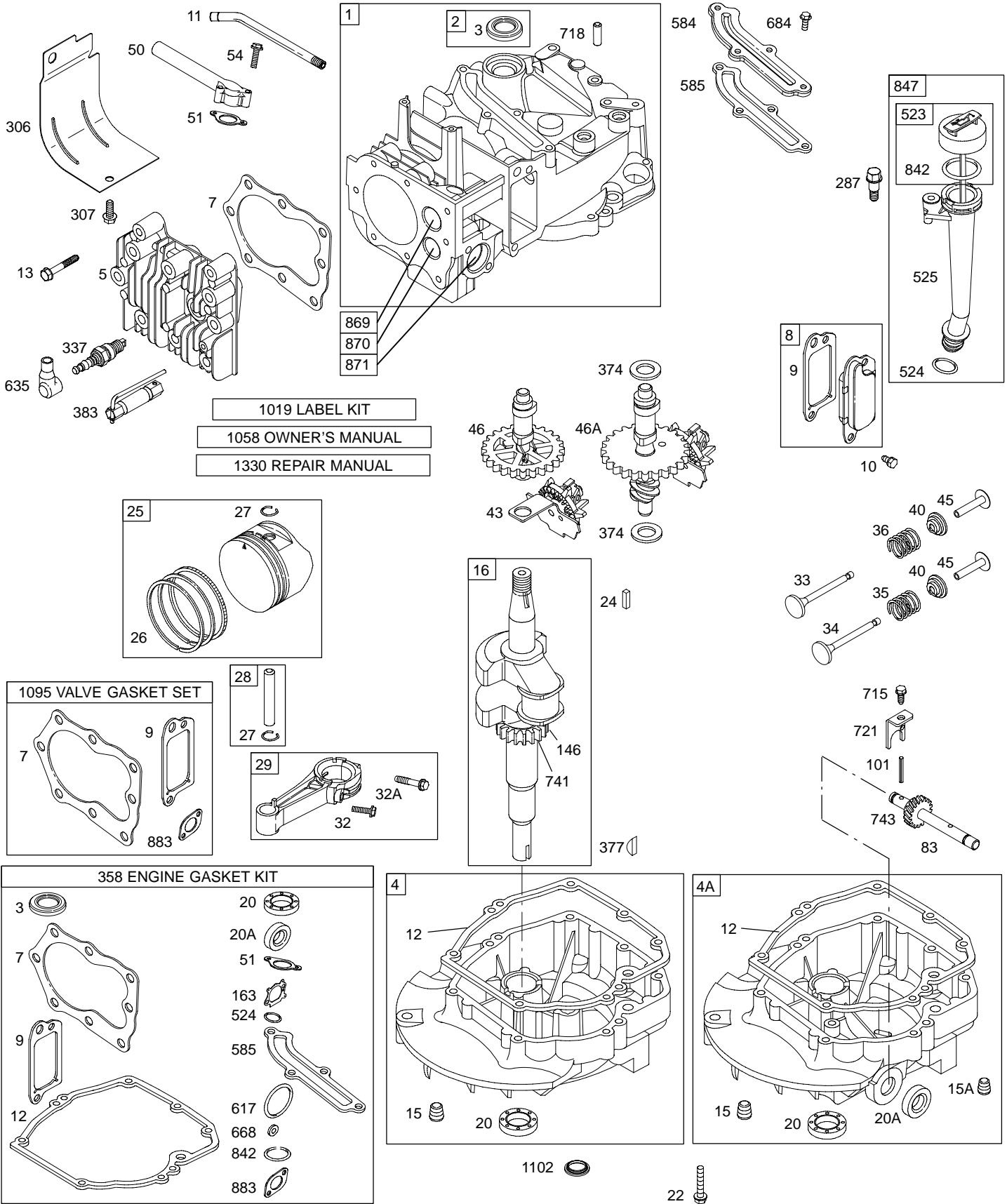
Alternator	8
Air Cleaner	4
Blower Housing/Shrouds	6
Camshaft	2
Carburetor	3
Controls	5
Crankshaft	2
Cylinder	2
Electric Starter	8
Electrical	8
Engine Sump	2
Exhaust System	4
Flywheel	7
Flywheel Brake	8
Fuel Supply	5
Governor Spring	5
Ignition	8
Lubrication	2
Kits/Gaskets	2 & 3
Piston Group	2
Rewind Starter	7
Valves	2



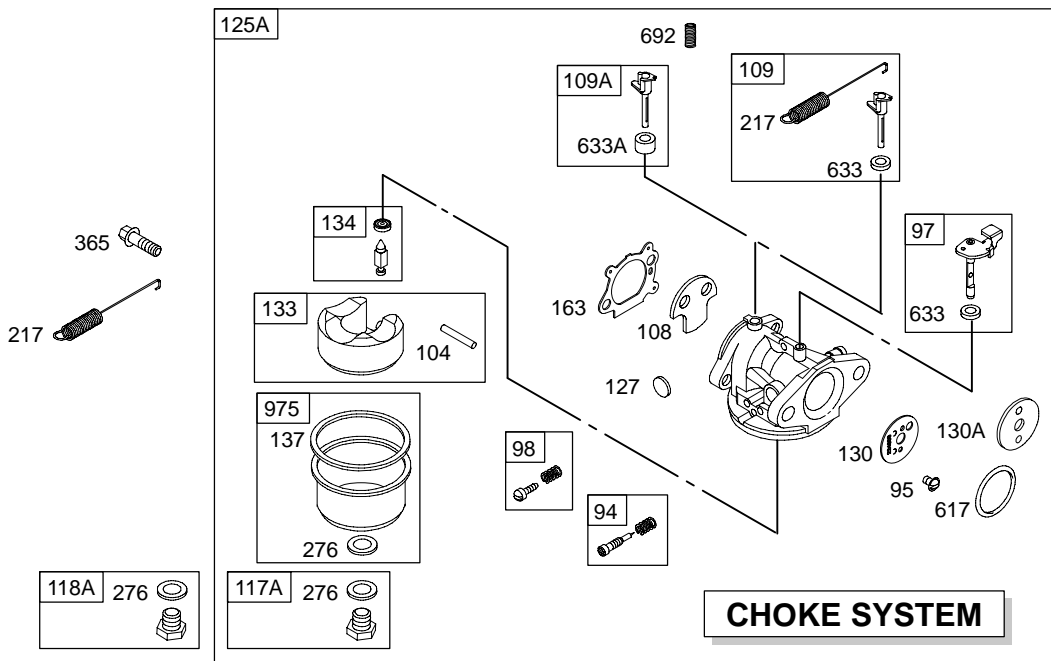
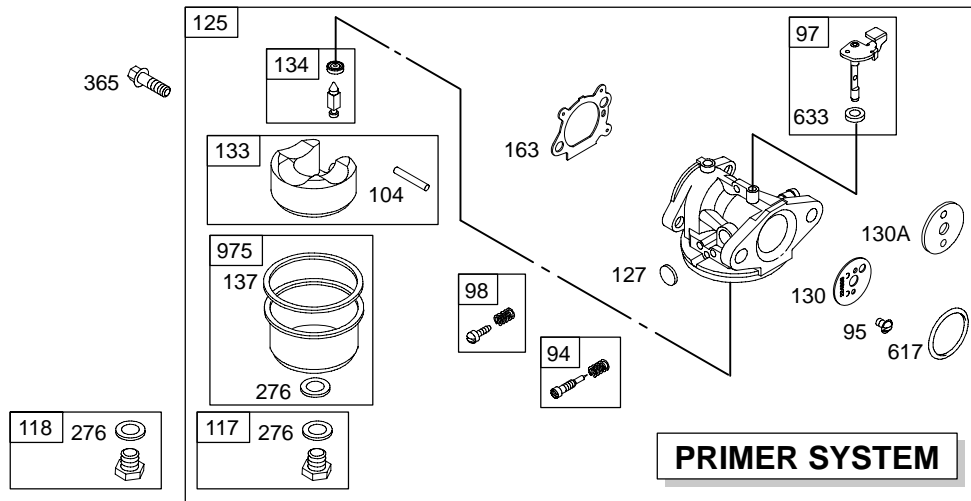
PRINTED IN U.S.A.

COPYRIGHT by BRIGGS & STRATTON CORPORATION
All rights reserved. No part of this material may be reproduced or transmitted, in any form or by any means, electronic or mechanical, including photocopying, recording or by any information storage and retrieval system, without permission in writing from Briggs & Stratton Corporation.

12F800



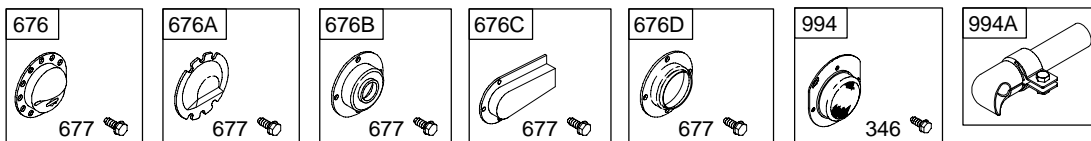
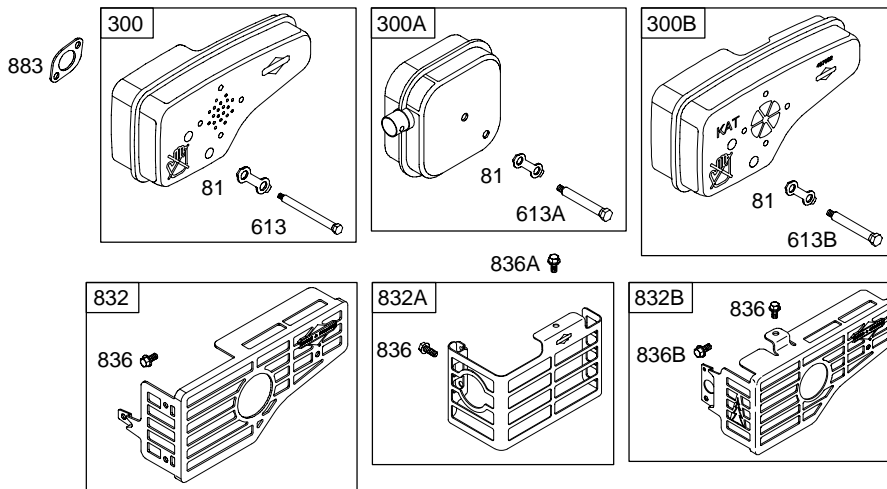
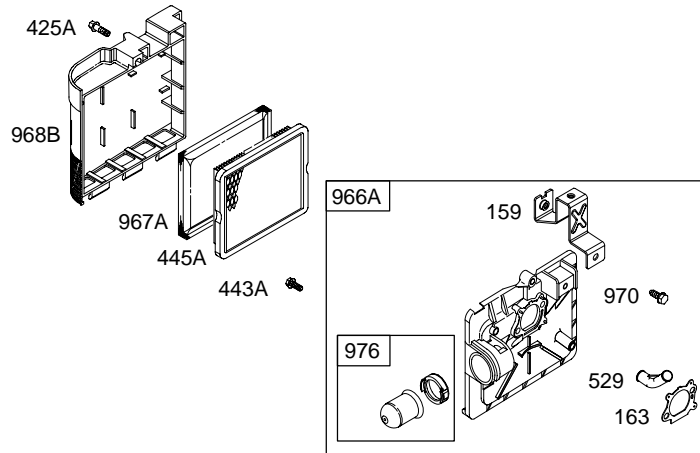
Illustrations cover a range of engines. Parts shown without corresponding text may not be used on your specific engine.
0517-2 Assemblies include all parts shown in frames. 06/16/2004



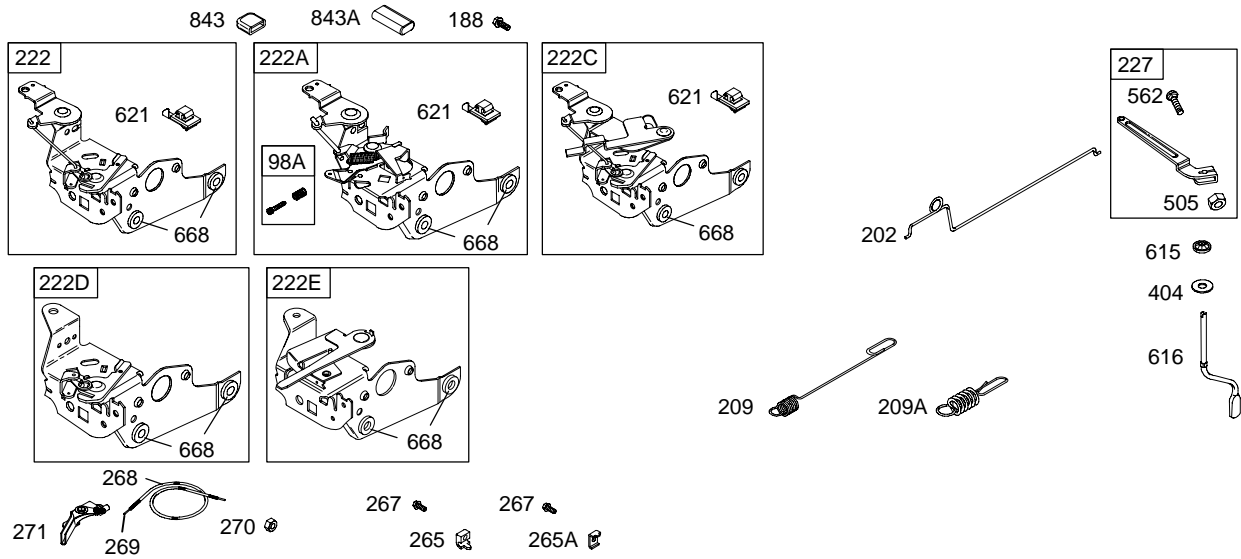
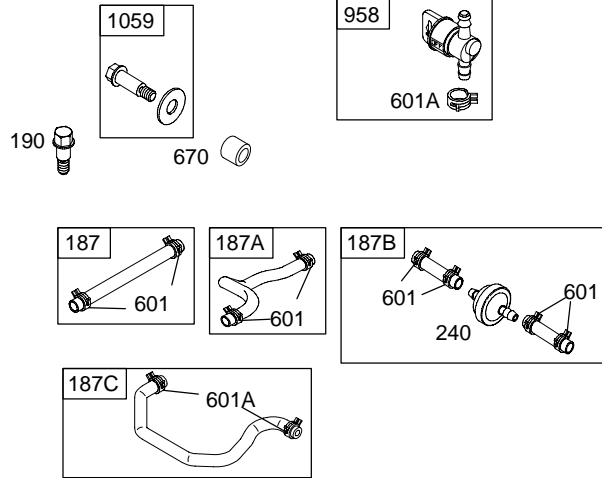
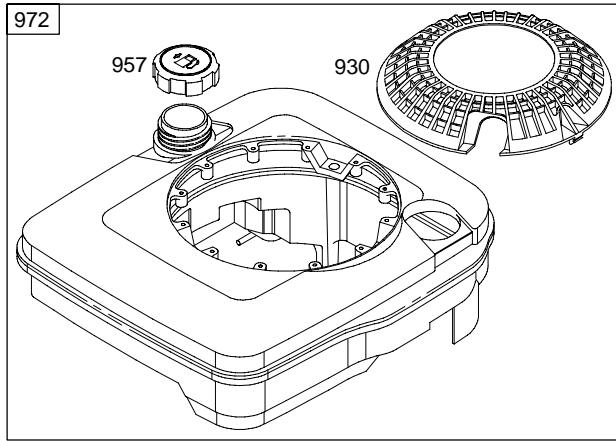
121 CARBURETOR OVERHAUL KIT		
94	134	276
104	137	617
127	163	633
		633A

977 CARBURETOR GASKET SET		
137	276	633
163	617	633A

Illustrations cover a range of engines. Parts shown without corresponding text may not be used on your specific engine.
 0517-3 Assemblies include all parts shown in frames. 06/16/2004

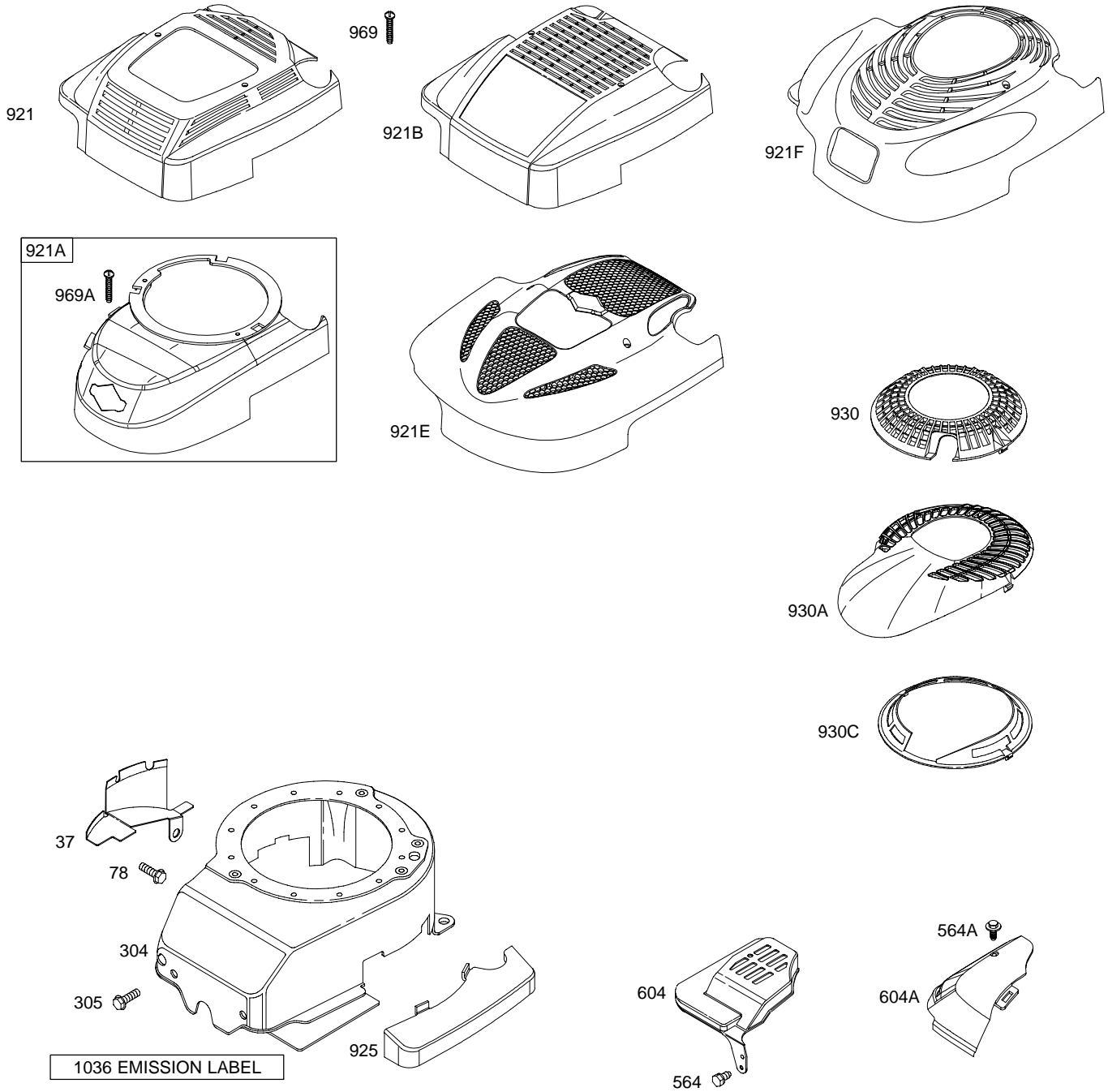


Illustrations cover a range of engines. Parts shown without corresponding text may not be used on your specific engine.
0517-4 Assemblies include all parts shown in frames. **06/16/2004**

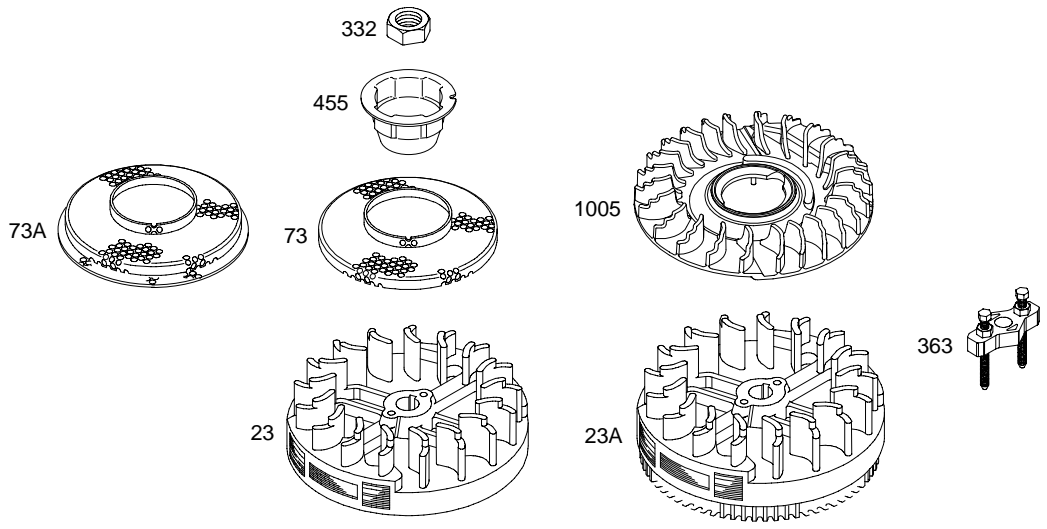
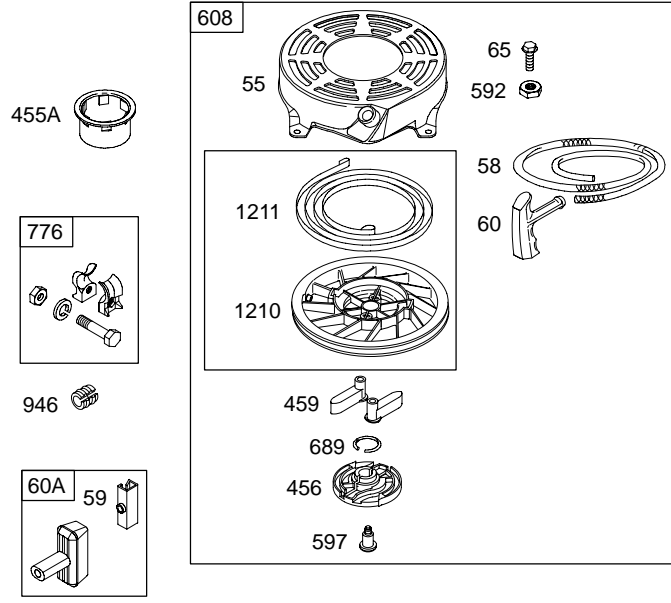
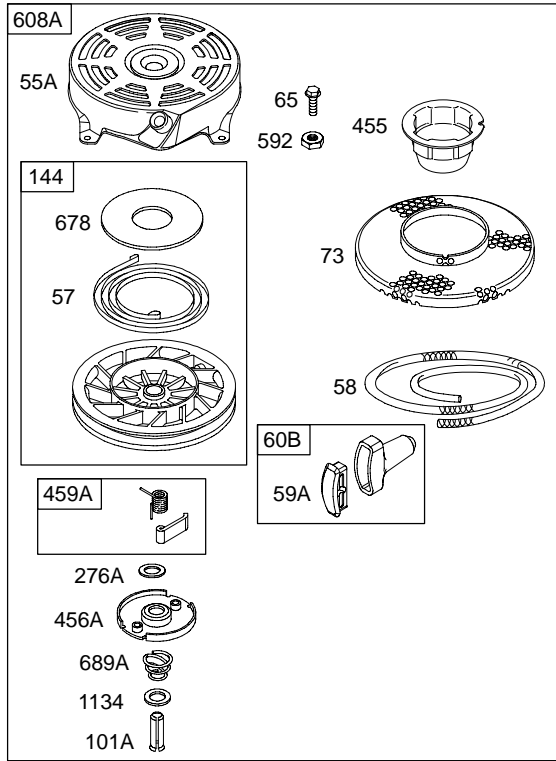


0517-5 *Illustrations cover a range of engines. Parts shown without corresponding text may not be used on your specific engine.* Assemblies include all parts shown in frames. 06/16/2004

12F800

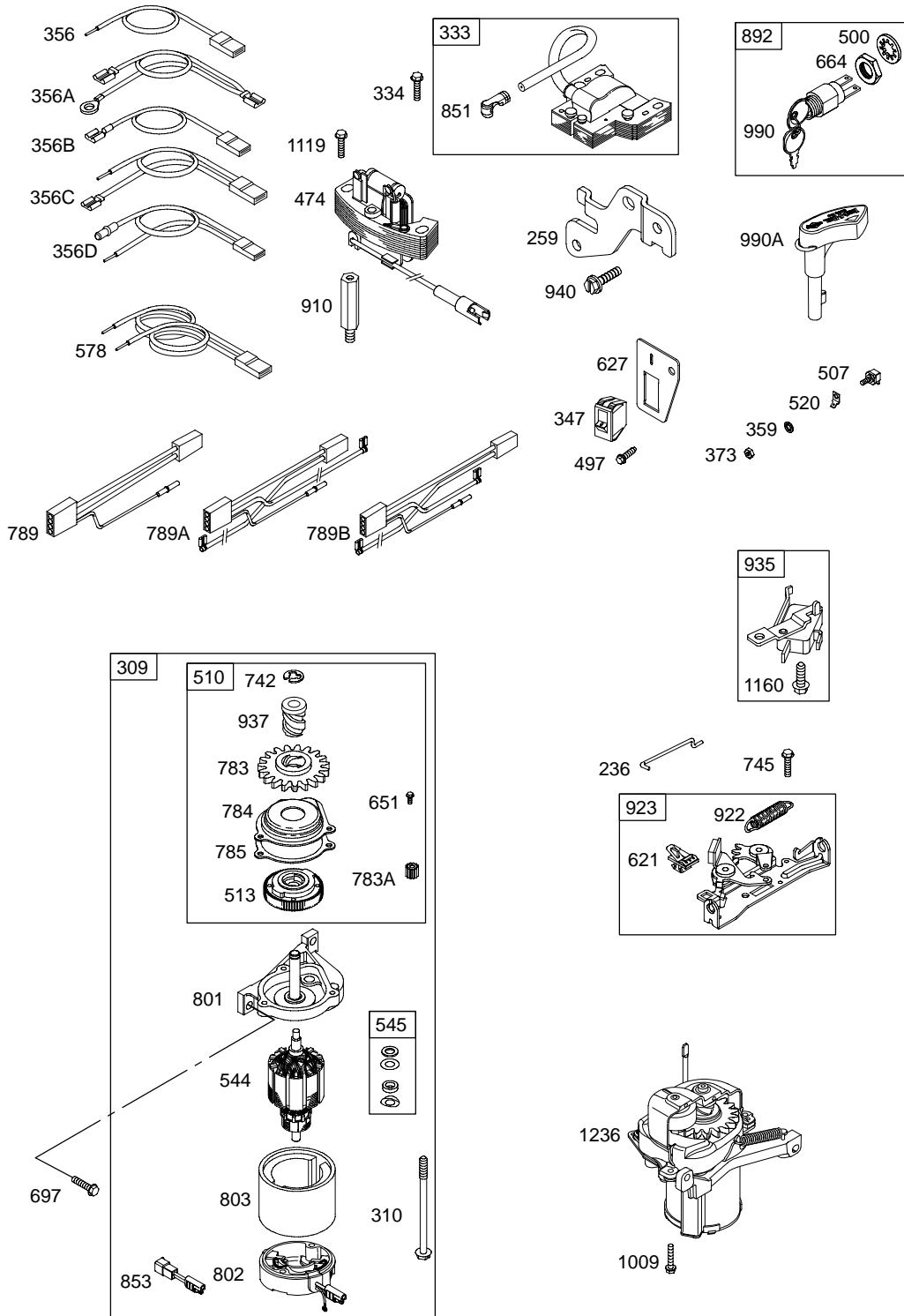


Illustrations cover a range of engines. Parts shown without corresponding text may not be used on your specific engine.
0517-6 Assemblies include all parts shown in frames. 06/16/2004



Illustrations cover a range of engines. Parts shown without corresponding text may not be used on your specific engine.
 0517-7 Assemblies include all parts shown in frames. 06/16/2004

12F800



Illustrations cover a range of engines. Parts shown without corresponding text may not be used on your specific engine.
 0517-8 Assemblies include all parts shown in frames. 06/16/2004

REF. NO.	PART NO.	DESCRIPTION	REF. NO.	PART NO.	DESCRIPTION	REF. NO.	PART NO.	DESCRIPTION
1	697322	Cylinder Assembly	5	691160	Head-Cylinder	12	★692232	Gasket-Crankcase
2	399269	Kit-Bushing/Seal (Magneto Side)	7	★∅692249	Gasket-Cylinder Head	13	690912	Screw (Cylinder Head)
3	★299819	Seal-Oil (Magneto Side)	8	495786	Breather Assembly	15	691680	Plug-Oil Drain (Square Socket)
4	493279	Sump-Engine	9	★∅272481	Gasket-Breather	15A	691093	Plug-Oil Drain (Hex Socket)
		Note	10	94650	Screw (Breather Assembly)			
		498983 Sump-Engine Used on Type No(s). 2026, 3116, 3134.	11	691781	Tube-Breather			
		696294 Sump-Engine Used on Type No(s). 1925, 1958, 2027, 2038, 2327, 2329, 2611, 2612, 2613, 3186, 3322, 3324.						
4A	493365	Sump-Engine (Auxiliary PTO)						

★ Included in Engine Gasket Set-Ref. No.358.

● Included in Carburetor Overhaul Kit-Ref. No. 121.

◆ Included in Carburetor Gasket Set-Ref. No. 977.

∅ Included in Valve Gasket Set-Ref. No 1095.

Illustrations cover a range of engines. Parts shown without corresponding text may not be used on your specific engine.

0517-9

Assemblies include all parts shown in frames.

06/16/2004

12F800

REF. NO.	PART NO.	DESCRIPTION	REF. NO.	PART NO.	DESCRIPTION	REF. NO.	PART NO.	DESCRIPTION
16	691451	Crankshaft (Used After Code Date 97011200). Note — 694442 Crankshaft (Used Before Code Date 97011300). 691450 Crankshaft (Used After Code Date 97011200). Used on Type No(s). 0600,0808,0820,0833, 0835,0838,0840,0841, 0842,0852,0863,0876, 0884,0890,0906,1108, 1110,1147,1149,1154, 1159,1160,1162,1163, 1173,1174,1188,1191, 1201,1215,1220,1221, 1312,1508,1523,1524, 1557,1558,1560,1569, 1573,1700,1908,1976, 1985,2006,2011,2021, 2308,2310,2373,2374, 2608,2611,2612,2613, 2623,2624,2625,2626, 2627,2628,2925,3112, 3133,3180,3185,3186, 3187,3188. 694440 Crankshaft (Used Before Code Date 97011300). Used on Type No(s). 0600,0808,0820,0833, 0835,0838,0840,0841, 0842,0852,0863,0876, 0884,0890,0906,1108, 1110,1147,1149,1154, 1159,1160,1162,1163, 1173,1174,1188,1191, 1508,1523,1524,1557, 1558,1560,1569,1573, 1976. 692980 Crankshaft (Used After Code Date 97011200). Used on Type No(s). 0650,0667,1734,1735, 1750,1767. 694443 Crankshaft (Used Before Code Date 97011300). Used on Type No(s). 0650,0667,1750.			691452 Crankshaft (Used After Code Date 97011200). Used on Type No(s). 0639,0640,0653,0654, 0817,0823,0830,0844, 0845,0853,0859,0862, 0866,0868,0870,0874, 0879,0882,0883,0887, 0894,0905,0907,0908, 0911,0914,0915,0916, 0918,1145,1151,1152, 1157,1158,1166,1167, 1170,1171,1175,1178, 1181,1182,1183,1186, 1190,1193,1194,1198, 1199,1208,1209,1210, 1212,1310,1311,1318, 1319,1320,1327,1328, 1329,1360,1366,1376, 1377,1378,1520,1521, 1566,1571,1574,1733, 1753,1917,1927,1936, 1937,1938,1941,1943, 1944,1945,1955,1966, 1967,1982,2003,2026, 2027,2029,2031,2032, 2036,2327,2329,2355, 2356,2357,2366,2371, 2378,2379,2399,2402, 2671,2674,2686,3105, 3111,3119,3120,3127, 3131,3132,3136,3165, 3166,3168,3177,3178, 3200,3320,3322,3323, 3324,3325. 694059 Crankshaft (Used Before Code Date 97011300). Used on Type No(s). 0639,0640,0817,0823, 0830,0844,0845,0853, 0859,0862,0866,0868, 0870,0874,0879,0882, 0883,0887,0894,0907, 0908,1145,1151,1152, 1157,1158,1166,1167, 1170,1171,1175,1178, 1181,1182,1183,1186, 1190,1194,1310,1311, 1366,1376,1377,1520, 1521,1566,1571,1574.			691455 Crankshaft (Used After Code Date 97011200). Used on Type No(s). 0815,0877,0888,1189, 1192,1581,1914,1977, 2001,2017,2407,2411, 2409,2681,2682,2918. 691375 Crankshaft (Used Before Code Date 97011300). Used on Type No(s). 0815,0877,0888,1189, 1581. 691454 Crankshaft Used on Type No(s). 0857,0858,0860,0878, 0880,1164,1177,1948, 1978,1980,2037,2038, 2685,3510,3511. 692981 Crankshaft (Used After Code Date 97011200). Used on Type No(s). 1142. 692028 Crankshaft (Used Before Code Date 97011300). Used on Type No(s). 1142. 691482 Crankshaft Used on Type No(s). 3116, 3134. 694079 Crankshaft Used on Type No(s). 1769. 696009 Crankshaft Used on Type No(s). 1770. 695242 Crankshaft Used on Type No(s). 1213, 1214, 2033. 694850 Crankshaft Used on Type No(s). 2406, 2413.

★ Included in Engine Gasket Set—Ref. No.358.

● Included in Carburetor Overhaul Kit—Ref. No. 121.

◆ Included in Carburetor Gasket Set—Ref. No. 977.

⊘ Included in Valve Gasket Set—Ref. No 1095.

Illustrations cover a range of engines. Parts shown without corresponding text may not be used on your specific engine.

0517-10

Assemblies include all parts shown in frames.

06/16/2004

REF. NO.	PART NO.	DESCRIPTION	REF. NO.	PART NO.	DESCRIPTION	REF. NO.	PART NO.	DESCRIPTION
20	★399781	Seal–Oil (PTO Side)	25	790359	Piston Assembly (Standard) (Used After Code Date 04031400).	26	790360	Ring Set (Standard) (Used After Code Date 04031400).
20A	★691952	Seal–Oil (PTO Side) (Auxiliary PTO)			————— Note —————			————— Note —————
22	691092	Screw (Crankcase Cover/Sump)		499429	Piston Assembly (Standard) (Used After Code Date 97011200 and Before Code Date 04031500).		499425	Ring Set (Standard) (Used After Code Date 97011200 and Before Code Date 04031500).
23	692315	Flywheel (Rewind Start)		493262	Piston Assembly (Standard) (Used Before Code Date 97011300).		493261	Ring Set (Standard) (Used Before Code Date 97011300).
23A	691987	Flywheel (Electric Start)						
		————— Note —————						
		691992 Flywheel (Electric Start) Used on Type No(s). 0645, 0817, 0882, 0883, 0905, 1189, 1192, 1570, 1571, 1580, 1581, 1914, 1917, 1982, 2001, 2017, 2026, 2029, 2031, 2036, 2406, 2413, 2325, 2356, 2403, 2404, 2405, 2407, 2671, 2681, 2682, 3116, 3181, 3182.		499430	Piston Assembly (.010" Oversize) (Used After Code Date 97011200).		499426	Ring Set (.010" Oversize) (Used After Code Date 97011200).
		696291 Flywheel (Electric Start) Used on Type No(s). 1925, 1958, 2027, 2038, 2327, 2329, 2611, 2612, 2613, 2685, 3186, 3322, 3324.		493385	Piston Assembly (.010" Oversize) (Used Before Code Date 97011300).		493388	Ring Set (.010" Oversize) (Used Before Code Date 97011300).
24	222698	Key–Flywheel		499431	Piston Assembly (.020" Oversize) (Used After Code Date 97011200).		499427	Ring Set (.020" Oversize) (Used After Code Date 97011200).
				493386	Piston Assembly (.020" Oversize) (Used Before Code Date 97011300).		493389	Ring Set (.020" Oversize) (Used Before Code Date 97011300).
				499432	Piston Assembly (.030" Oversize) (Used After Code Date 97011200).		499428	Ring Set (.030" Oversize) (Used After Code Date 97011200).
				493387	Piston Assembly (.030" Oversize) (Used Before Code Date 97011300).	27	691866	Lock–Piston Pin (Used After Code Date 97011200).
								————— Note —————
								691588 Lock–Piston Pin (Used Before Code Date 67011300).

★ Included in Engine Gasket Set–Ref. No.358.

● Included in Carburetor Overhaul Kit–Ref. No. 121.

◆ Included in Carburetor Gasket Set–Ref. No. 977.

⊘ Included in Valve Gasket Set–Ref. No 1095.

Illustrations cover a range of engines. Parts shown without corresponding text may not be used on your specific engine.

12F800

REF. NO.	PART NO.	DESCRIPTION	REF. NO.	PART NO.	DESCRIPTION	REF. NO.	PART NO.	DESCRIPTION
28	499423	Pin-Piston (Standard) (Used After Code Date 97011200). Note _____ 298909 Pin-Piston (Standard) (Used Before Code Date 97011300). 298908 Pin-Piston (.005" Oversize) (Used Before Code Date 97011300).	46	691449	Camshaft (Used After Code Date 96060200). Note _____ 492830 Camshaft (Used Before Code Date 96060300).	65	690837	Screw (Rewind Starter)
29	499424	Rod-Connecting (Standard) (Used After Code Date 97011200). Note _____ 490566 Rod-Connecting (Used Before Code Date 97011300). 490743 Rod-Connecting (.020" Undersize) (Used Before Code Date 97011300).	46A	691459	Camshaft (Counterclockwise) (Used After Code Date 96060200). Note _____ 493738 Camshaft (Counterclockwise) (Used Before Code Date 96060300).	73	691222	Screen-Rotating
32	691664	Screw (Connecting Rod)			691460 Camshaft (Clockwise) (Used After Code Date 96060200). Used on Type No(s). 0860, 2950.	73A	224527	Screen-Rotating
32A	695759	Screw (Connecting Rod) (Used After Code Date 00042200).	50	497465	Manifold-Intake	78	691108	Screw (Flywheel Guard)
33	262651	Valve-Exhaust	51	★272199	Gasket-Intake	81	691740	Lock-Muffler Screw
34	262652	Valve-Intake	54	691650	Screw (Intake Manifold)	83	691778	Shaft-Auxiliary Drive Note _____ 690522 Shaft-Auxiliary Drive Used on Type No(s). 1170, 2950, 2951.
35	691270	Spring-Valve (Intake)	55	691421	Housing-Rewind Starter			690527 Shaft-Auxiliary Drive Used on Type No(s). 1141, 1172, 1516.
36	691270	Spring-Valve (Exhaust)	55A	492831	Housing-Rewind Starter	94	●493765	Kit-Idle Mixture
37	694086	Guard-Flywheel	57	491889	Spring-Rewind Starter	95	691636	Screw (Throttle Valve)
40	692194	Retainer-Valve	58	280399	Rope-Starter (Cut To Required Length)	97	493267	Shaft-Throttle Note _____ 696565 Shaft-Throttle (Primer System) (Used After Code Date 01040800).
43	691997	Slinger-Governor/Oil Note _____ 691486 Slinger-Governor/Oil Used on Type No(s). 3116.	59	692594	Insert-Grip	98	398185	Kit-Idle Speed (Carburetor)
45	690548	Tappet-Valve	59A	396892	Insert-Grip	98A	493280	Kit-Idle Speed (Control Bracket)
			60	281434	Grip-Starter Rope (One Piece)	101	691623	Pin-Shaft
			60A	494212	Grip-Starter Rope (Two Piece)	101A	262626	Pin-Shaft
			60B	393152	Grip-Starter Rope	104	●691242	Pin-Float Hinge
						108	691182	Valve-Choke
						109	494218	Shaft-Choke
						109A	498593	Shaft-Choke Used on Type No(s). 1910, 1914, 2001, 2017, 2026, 2403, 2404, 2405, 2406, 2407, 2413, 2681, 2682, 3116, 3134.

★ Included in Engine Gasket Set-Ref. No.358.

● Included in Carburetor Overhaul Kit-Ref. No. 121.

◆ Included in Carburetor Gasket Set-Ref. No. 977.

⊘ Included in Valve Gasket Set-Ref. No 1095.

Illustrations cover a range of engines. Parts shown without corresponding text may not be used on your specific engine.

REF. NO.	PART NO.	DESCRIPTION	REF. NO.	PART NO.	DESCRIPTION	REF. NO.	PART NO.	DESCRIPTION
117	494870	Jet–Main (Standard) (Used After Code Date 96060200). Note 497466 Jet–Main (Standard) (Used After Code Date 95102900 and Before Code Date 96060300). 497315 Jet–Main (Standard) (Used Before Code Date 95103000).	118A	498981	Jet–Main (High Altitude) (Used After Code Date 96060200). Note 496063 Jet–Main (High Altitude) (Used Before Code Date 96060300). 498975 Jet–Main (High Altitude) Used on Type No(s). 1910, 1914, 2001, 2017, 2026, 2403, 2404, 2405, 2406, 2407, 2413, 2681, 2682, 3116, 3134.	130A	691181	Valve–Throttle
117A	498977	Jet–Main (Standard) (Used After Code Date 96060200). Note 493637 Jet–Main (Standard) (Used Before Code Date 96060300). 498978 Jet–Main (Standard) Used on Type No(s). 1910, 1914, 2001, 2017, 2026, 2403, 2404, 2405, 2406, 2407, 2413, 2681, 2682, 3116, 3134.	121	498260	Kit–Carburetor Overhaul	133	398187	Float–Carburetor
118	497315	Jet–Main (High Altitude) (Used After Code Date 96060200). Note 496495 Jet–Main (High Altitude) (Used After Code Date 95102900 and Before Code Date 96060300). 497348 Jet–Main (High Altitude) (Used Before Code Date 95103000).	125	498170	Carburetor (Used After Code Date 96060200). Note 498254 Carburetor (Used Before Code Date 96060300).	134	●398188	Kit–Needle/Seat
			125A	498965	Carburetor (Used After Code Date 96060200). Note 499059 Carburetor (Used After Code Date 96060200). Used on Type No(s). 1910, 1914, 2001, 2017, 2026, 2403, 2404, 2405, 2406, 2407, 2413, 2681, 2682, 3116, 3134.	137	●●693981	Gasket–Float Bowl
						144	493824	Pulley/Spring Assembly
						146	690979	Key–Timing
						159	691753	Bracket–Air Cleaner Primer
						163★●●	272653	Gasket–Air Cleaner
						187	691050	Line–Fuel (Cut to Required Length) Note 296004 Line–Fuel (Cut to Required Length) Used on Type No(s). 0853, 2612, 2613.
						187A	691371	Line–Fuel (Molded)
						187B	692042	Line–Fuel (Includes Filter)
						187C	696292	Line–Fuel (Molded) Note 698164 Line–Fuel (Molded) Used on Type No(s). 2612, 2613.
						188	690877	Screw (Control Bracket)
						190	690940	Screw (Fuel Tank)
						202	691829	Link–Mechanical Governor
			127	●694468	Plug–Welch			
			130	691203	Valve–Throttle Used on Type No(s). 1910, 1914, 2001, 2017, 2026, 2403, 2404, 2405, 2406, 2407, 2413, 2681, 2682, 3116. Note 696564 Valve–Throttle (Primer System) (Used After Code Date 01040800).			

★ Included in Engine Gasket Set–Ref. No.358.

● Included in Carburetor Overhaul Kit–Ref. No. 121.

◆ Included in Carburetor Gasket Set–Ref. No. 977.

⊘ Included in Valve Gasket Set–Ref. No 1095.

Illustrations cover a range of engines. Parts shown without corresponding text may not be used on your specific engine.

12F800

REF. NO.	PART NO.	DESCRIPTION	REF. NO.	PART NO.	DESCRIPTION	REF. NO.	PART NO.	DESCRIPTION
209	691292	Spring–Governor <p style="text-align: center;">———— Note ————</p> 691851 Spring–Governor Used on Type No(s). 0820, 0838, 0842, 0843, 0847, 0875, 0876, 0906, 0910, 0919, 1147, 1160, 1175, 1187, 1191, 1312, 1317, 1328, 1379, 1520, 1559, 1560, 1562, 1568, 1573, 1911, 1912, 1918, 1925, 1940, 1956, 1975, 1976, 2001, 2006, 2010, 2011, 2013, 2021, 2043, 2310, 2373, 2374, 2403, 2404, 2405, 2406, 2413, 3112, 3117, 3118, 3120, 3179, 3180, 3183, 3184, 3185, 3186, 3188. 691290 Spring–Governor Used on Type No(s). 1910, 1914, 2026. 691291 Spring–Governor Used on Type No(s). 0848, 0878, 0880, 0890, 1189, 1733, 1948, 1978, 1980. 691852 Spring–Governor Used on Type No(s). 1210, 1212, 1380, 1381, 1770, 1923, 1924, 1927, 1941, 1944, 1955, 1967, 1986, 2329, 2357, 2375, 2376, 2377, 2378, 2379, 2614, 3128, 3130, 3135, 3168, 3181.			699056 Spring–Governor Used on Type No(s). 0600, 0610, 0625, 0630, 0632, 0639, 0640, 0808, 0817, 0821, 0823, 0826, 0829, 0836, 0839, 0853, 0883, 0899, 0909, 1108, 1119, 1128, 1141, 1145, 1148, 1152, 1153, 1156, 1172, 1199, 1313, 1315, 1329, 1508, 1516, 1521, 1574, 1700, 1725, 1732, 1908, 1915, 1917, 1943, 1999, 2003, 2009, 2022, 2308, 2319, 2353, 2409, 2608, 2674, 2684, 2686, 3113, 3115, 3187. 690241 Spring–Governor Used on Type No(s). 3116, 3134. 693187 Spring–Governor Used on Type No(s). 2681, 2682, 2407.	209A	691835	Spring–Governor <p style="text-align: center;">———— Note ————</p> 690568 Spring–Governor Used on Type No(s). 1192. 691275 Spring–Governor Used on Type No(s). 0833, 0835, 1110, 1173, 1174, 1581. 691833 Spring–Governor Used on Type No(s). 0837, 0841, 0869, 1176. 691834 Spring–Governor Used on Type No(s). 0822, 1188, 1201, 1215. 690569 Spring–Governor Used on Type No(s). 0637, 0638, 0645, 0818, 0819, 0918, 1159, 1210, 1212, 1213, 1214, 1220, 1221, 1327, 1941, 1944, 2329, 2357, 2377, 2378, 3168. 691276 Spring–Governor Used on Type No(s). 0892, 0917. 262663 Spring–Governor Used on Type No(s). 0642, 0644, 0911.

★ Included in Engine Gasket Set–Ref. No.358.

● Included in Carburetor Overhaul Kit–Ref. No. 121.

◆ Included in Carburetor Gasket Set–Ref. No. 977.

⊗ Included in Valve Gasket Set–Ref. No 1095.

Illustrations cover a range of engines. Parts shown without corresponding text may not be used on your specific engine.

REF. NO.	PART NO.	DESCRIPTION	REF. NO.	PART NO.	DESCRIPTION	REF. NO.	PART NO.	DESCRIPTION
217	690354	Spring—Choke Return	268	691025	Casing—Control Wire (72" Long (Cut to Required Length)	304	493293	Housing—Blower
222	692031	Bracket—Control (Remote/Manual Friction)(Primer)						————— Note —————
222A	692021	Bracket—Control (Remote Choke A Matic, Non Compliance)						493294 Housing—Blower
222C	692150	Bracket—Control (Remote/Manual Friction) (Variable Speed and 5 Position Manual Choke)						Used on Type No(s). 0645, 0653, 0817, 0837, 0841, 0842, 0843, 0847, 0859, 0862, 0869, 0875, 0879, 0882, 0883, 0905, 0906, 0908, 0910, 0917, 0919, 1160, 1161, 1162, 1167, 1175, 1176, 1177, 1178, 1181, 1182, 1186, 1187, 1189, 1191, 1192, 1198, 1199, 1312, 1314, 1328, 1329, 1360, 1379, 1524, 1558, 1559, 1560, 1562, 1568, 1570, 1571, 1573, 1580, 1581, 1733, 1910, 1914, 1917, 1918, 1940, 1943, 1956, 1975, 1982, 2001, 2003, 2006, 2010, 2013, 2017, 2023, 2026, 2029, 2031, 2032, 2036, 2043, 2325, 2356, 2403, 2404, 2405, 2406, 2413, 2407, 2624, 2625, 2627, 2671, 2681, 2682, 2686, 3110, 3112, 3116, 3117, 3120, 3129, 3134, 3179, 3180, 3181, 3182, 3184.
222D	692467	Bracket—Control (Remote/Manual Friction) (Variable Speed and 5 Position Manual Choke, Without Stopswitch)	269	691026	Wire—Control (78" Long) (Cut to Required Length)			695892 Housing—Blower
222E	692982	Bracket—Control (Fixed Speed and 5 Position Manual Choke)						Used on Type No(s). 1220, 1221, 2041, 2411, 2628, 3135, 3136.
227	690783	Lever—Governor Control	270	691027	Nut (Control Wire Casing)			696298 Housing—Blower
236	691826	Link—Lockout	271	691028	Lever—Control			Used on Type No(s). 1925, 1958, 2027, 2038, 2327, 2329, 2611, 2612, 2613, 2685, 3186, 3322, 3324.
240	298090	Filter—Fuel	276	◆271716	Washer—Sealing			
259	691223	Bracket—Casing Clamp	276A	280973	Washer—Sealing (Pawl Friction Plate)			
265	690798	Clamp—Casing	287	690940	Screw (Dipstick Tube)			
265A	691024	Clamp—Casing	300	496106	Muffler (Tuned)			
267	691044	Screw (Casing Clamp)	300A	494343	Muffler (Square Lo Tone)			
			300B	497681	Muffler (Catalyst)			

★ Included in Engine Gasket Set—Ref. No.358.

● Included in Carburetor Overhaul Kit—Ref. No. 121.

◆ Included in Carburetor Gasket Set—Ref. No. 977.

⊘ Included in Valve Gasket Set—Ref. No 1095.

Illustrations cover a range of engines. Parts shown without corresponding text may not be used on your specific engine.

12F800

REF. NO.	PART NO.	DESCRIPTION	REF. NO.	PART NO.	DESCRIPTION	REF. NO.	PART NO.	DESCRIPTION
305	691108	Screw (Blower Housing)	425A	690670	Screw (Air Cleaner Cover)	584	697734	Cover–Breather Passage
306	690450	Shield–Cylinder	443A	692523	Screw (Air Cleaner Primer Base)	585	★691879	Gasket–Breather Passage
307	690345	Screw (Cylinder Shield)	445A	491588	Filter–Air Cleaner Cartridge	592	690800	Nut (Rewind Starter)
309	695550	Motor–Starter	455	695161	Cup–Flywheel	597	691696	Screw (Pawl Friction Plate)
310	692327	Bolt (Starter Motor)	456	692299	Plate–Pawl Friction	601	95162	Clamp–Hose (Green)
332	690662	Nut (Flywheel)	456A	224321	Plate–Pawl Friction	601A	691038	Clamp–Hose (Black)
333	802574	Armature–Magneto	459	281505	Pawl–Ratchet	604	691757	Cover–Control
334	691061	Screw (Magneto Armature)	459A	492833	Pawl–Ratchet	604A	691344	Cover–Control
337	802592	Plug–Spark (Resistor)	474	691991	Alternator	608	497680	Starter–Rewind
		Note —	497	690664	Screw (Stopswitch Bracket)	608A	497598	Starter–Rewind
		697451 Plug–Spark (EMS)	500	691086	Washer (Key Switch)	613	691340	Screw (Muffler)
346	690661	Screw (Spark Arrestor)	505	691251	Nut (Governor Control Lever)	613A	691653	Screw (Muffler)
347	691396	Switch–Rocker	507	691972	Insulator	613B	691114	Screw (Muffler)
356	692390	Wire–Stop	510	494147	Drive–Starter	615	690340	Retainer–Governor Shaft
356A	690650	Wire–Stop	513	692358	Clutch–Drive	616	698801	Crank–Governor
356B	693010	Wire–Stop	520	691084	Terminal–Ground	617★♦270344	Seal–O Ring (Intake Manifold)	
356C	690808	Wire–Stop	523	495264	Dipstick	621	692310	Switch–Stop
356D	496381	Wire–Stop	524	★692296	Seal–Dipstick Tube	627	692872	Bracket–Stopswitch
358	497316	Gasket Set–Engine	525	495265	Tube–Dipstick	633	♦♦691321	Seal–Choke/Throttle Shaft
359	691077	Washer (Ground Terminal)	529	691923	Grommet	633A	♦♦693867	Seal–Choke/Throttle Shaft
363	19069	Pulley–Flywheel	544	690786	Armature–Starter			Used on Type No(s). 1910, 1914, 2001, 2017, 2026, 2403, 2404, 2407, 2681, 2682, 3116.
365	692524	Screw (Carburetor)	545	492919	Washer Set (Starter Motor)			
373	691612	Nut (Ground Terminal)	562	92613	Bolt (Governor Control Lever)			
374	691074	Washer (Camshaft)	564	690664	Screw (Control Cover)			
377	692193	Key–Woodruff	564A	691142	Screw (Control Cover)			
383	89838	Wrench–Spark Plug	578	398153	Wire Assembly			
404	690272	Washer (Governor Crank)						

★ Included in Engine Gasket Set–Ref. No.358.

● Included in Carburetor Overhaul Kit–Ref. No. 121.

♦ Included in Carburetor Gasket Set–Ref. No. 977.

∅ Included in Valve Gasket Set–Ref. No 1095.

Illustrations cover a range of engines. Parts shown without corresponding text may not be used on your specific engine.

REF. NO.	PART NO.	DESCRIPTION	REF. NO.	PART NO.	DESCRIPTION	REF. NO.	PART NO.	DESCRIPTION		
635	66538	Boot–Spark Plug	743	691772	Gear–Drive (Counterclockwise)	801	690782	Cap–Drive		
651	691660	Screw (Starter Gear Cover)			———— Note ————	802	695267	Cap–End (Used After Code Date 00040600).		
664	691087	Nut (Key Switch)			690516 Gear–Drive (Clockwise)			———— Note ————		
668	★493823	Spacer (Includes 2)			Used on Type No(s). 0860, 2950.			695975 Cap–End (Used Before Code Date 00040700).		
670	692294	Spacer–Fuel Tank	745	691648	Screw (Brake)			803	695266	Housing–Starter (Used After Code Date 00040600).
676	396548	Deflector–Muffler (Louvered)	776	396526	Guide–Rope					———— Note ————
676A	393756	Deflector–Muffler (Side Out) (Shallow)	783	691918	Gear–Pinion (Starter)					695975 Housing– Starter (Used Before Code Date 00040700).
676B	397931	Deflector–Muffler (Direct Out)	783A	691269	Gear–Pinion					
676C	493871	Deflector–Muffler (Side Out) (Extended) (Horseshoe)	784	692341	Cover–Starter Gear					
676D	497682	Deflector–Muffler (For TUV)	785	692352	Gasket–Starter Cover					
677	690661	Screw (Muffler Deflector)	789	695551	Harness–Wiring (Used After Code Date 00040600).					
678	224278	Spacer–Rewind			———— Note ————	832	499034	Guard–Muffler		
684	690345	Screw (Breather Passage Cover)			690790 Harness– Wiring (Used Before Code Date 00040700).	832A	691424	Guard–Muffler		
689	691855	Spring–Friction			696546 Harness– Wiring Used on Type No(s). 2405, 2406.	832B	497683	Guard–Muffler		
689A	262625	Spring–Friction (Rewind Starter)	789A	695552	Harness–Wiring (Used After Code Date 00040600).	836	690664	Screw (Muffler Guard)		
692	690572	Spring–Detent			———— Note ————	836A	690661	Screw (Muffler Guard)		
697	691127	Screw (Drive Cap)			691372 Harness– Wiring (Used Before Code Date 00040700).	836B	691147	Screw (Muffler Guard)		
715	691147	Screw (Shaft Stop)			Used on Type No(s). 2405, 2406.	842	★691031	Seal–O Ring (Dipstick Tube)		
718	690959	Pin–Locating			789B	494544	Harness–Wiring			
721	690449	Stop–Shaft			———— Note ————			843	691884	Sleeve–Lever (Speed Control)
741	790345	Gear–Timing (Use Without Woodruff Key)			696547 Harness– Wiring Used on Type No(s). 0644, 0654, 0918, 1209, 1210, 1212, 1213, 1324, 1327, 1735, 1924, 1936, 1944, 2377, 2614, 3127, 3132, 3510.			843A	691895	Sleeve–Lever (Choke)
		———— Note ————						847	692017	Dipstick/Tube Assembly
		691830 Gear–Timing (Uses Woodruff Key)						851	493880	Terminal–Spark Plug
742	93941	Retainer–E Ring						853	695268	Adapter–Wire
										———— Note ————
										698471 Adapter–Wire Used on Type No(s). 3129, 3130.
								869	691155	Seat–Valve (Intake)
								870	690380	Seat–Valve (Exhaust)

★ Included in Engine Gasket Set–Ref. No.358.

● Included in Carburetor Overhaul Kit–Ref. No. 121.

◆ Included in Carburetor Gasket Set–Ref. No. 977.

⊘ Included in Valve Gasket Set–Ref. No 1095.

Illustrations cover a range of engines. Parts shown without corresponding text may not be used on your specific engine.

12F800

REF. NO.	PART NO.	DESCRIPTION	REF. NO.	PART NO.	DESCRIPTION	REF. NO.	PART NO.	DESCRIPTION
871	262001	Bushing-Valve Guide (Exhaust) Note 63709 Bushing-Valve Guide (Intake)	935	499421	Switch-Interlock	1009	696255	Screw (Starter Motor)
883	691881	Gasket-Exhaust	937	691325	Spline-Starter	1019	494256	Kit-Label Note 790231 Kit-Label (Touch N Mow)
892	690646	Switch-Key	940	691004	Screw (Casing Clamp Bracket)	1036	790412	Label-Emission (Used After Code Date 04063000). Note 694458 Label-Emission (Used After Code Date 99093000 and Before Code Date 04070100). 694458 Label-Emission (Used After Code Date 98123100 and Before Code Date 99100100). 499341 Label-Emission (Used After Code Date 97012000 and Before Code Date 99010100). 499340 Label-Emission (Used Before Code Date 97012100). 790413 Label-Emission (Used On Engines With D1 Trim) (Used After Code Date 04063000). 697378 Label-Emission (Used On Engines With D1 Trim) (Used Before Code Date 04070100).
910	691094	Stud (Alternator)	946	691738	Stop-Rope			
921	497233	Cover-Blower Housing (Red)	957	397974	Cap-Fuel Tank (Plastic)			
921A	695886	Cover-Blower Housing (Black)	958	698183	Valve-Fuel Shut Off (Plastic)			
921B	692931	Cover-Blower Housing (Black) Note 692932 Cover-Blower Housing (Red)	966A	496116	Base-Air Cleaner Primer			
921E	696262	Cover-Blower Housing (Black)	967A	493537	Filter-Pre Cleaner			
921F	697343	Cover-Blower Housing (Black)	968B	692298	Cover-Air Cleaner			
922	691831	Spring-Brake Note 692135 Spring-Brake Used on Type No(s). 2041, 2411, 2628, 3135, 3165, 3136.	969	690700	Screw (Blower Housing Cover)			
923	691994	Brake Note 695891 Brake Used on Type No(s). 2041, 2411, 2628, 3135, 3165, 3136.	969A	691138	Screw (Blower Housing Cover)			
925	690595	Cover-Linkage	970	691669	Screw (Air Cleaner Primer Bracket)			
930	691919	Guard-Rewind (Round)	972	693377	Tank-Fuel (Plastic) Note 695960 Tank-Fuel (Plastic) Used on Type No(s). 1925, 1958, 2027, 2038, 2327, 2329, 2611, 2612, 2613, 2685, 3186, 3322, 3324.			
930A	691345	Guard-Rewind (Tear Drop)	975	493640	Bowl-Float			
930C	690598	Guard-Rewind (Trim Ring)	976	694395	Primer-Carburetor			
			977	498261	Gasket Set-Carburetor			
			990	691959	Key Set			
			990A	695951	Key Set			
			994	398067	Arrestor-Spark			
			994A	692957	Arrestor-Spark			
			1005	691346	Fan-Flywheel			

★ Included in Engine Gasket Set-Ref. No.358.

● Included in Carburetor Overhaul Kit-Ref. No. 121.

◆ Included in Carburetor Gasket Set-Ref. No. 977.

⊘ Included in Valve Gasket Set-Ref. No 1095.

Illustrations cover a range of engines. Parts shown without corresponding text may not be used on your specific engine.

0517-18

Assemblies include all parts shown in frames.

06/16/2004

REF. NO.	PART NO.	DESCRIPTION	REF. NO.	PART NO.	DESCRIPTION	REF. NO.	PART NO.	DESCRIPTION
1058	275177	Owner's Manual ———— Note ———— 274940 Owner's Manual (Touch N Mow)	1119	691648	Screw (Alternator)	1236	695959	Starter–Mechanical (Touch N Mow) (Do Not Service Individual Parts, Only As A Whole)
1059	692311	Kit–Screw/Washer ———— Note ———— 696293 Kit–Screw/Washer (Touch N Mow)	1134	224322	Washer (Pawl Friction Plate)			———— Note ———— 699914 Starter–Mechanical (Touch N Mow) (Do Not Service Individual Parts, Only As A Whole) Used on Type No(s). 1958, 2685.
1095	498528	Gasket Set–Valve	1160	691627	Screw (Interlock Switch)	1330	270962	Manual–Repair
1102	691255	Pilot–Guide	1210	498144	Pulley/Spring Assembly (Pulley)			
			1211	498144	Pulley/Spring Assembly (Spring)			

★ Included in Engine Gasket Set–Ref. No.358.
● Included in Carburetor Overhaul Kit–Ref. No. 121.

◆ Included in Carburetor Gasket Set–Ref. No. 977.
∅ Included in Valve Gasket Set–Ref. No 1095.

Illustrations cover a range of engines. Parts shown without corresponding text may not be used on your specific engine.
0517–19 Assemblies include all parts shown in frames. 06/16/2004