

PORTABLE FORCED AIR HEATER

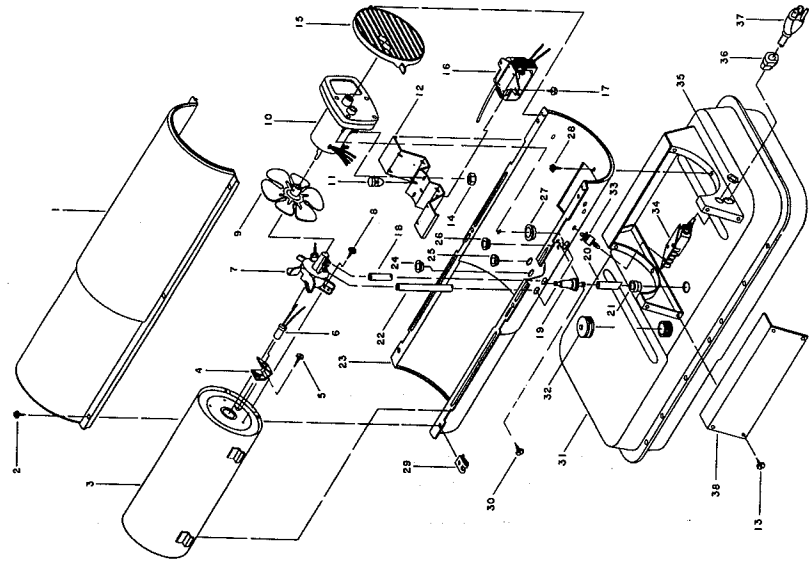
Illustrated Parts List

**DESA
C100D**

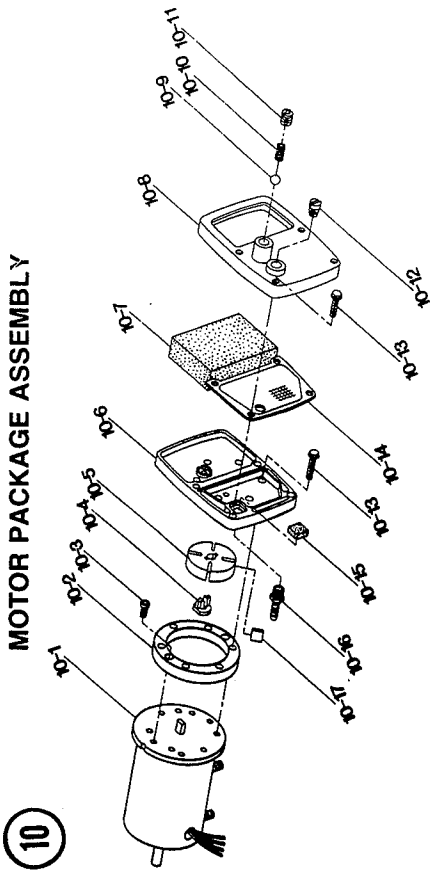
IMPORTANT DO NOT USE KEY NUMBERS WHEN ORDERING SERVICE PARTS. ALWAYS ORDER COMPONENTS BY PART NUMBER AND DESCRIPTION INCLUDE MODEL AND SERIAL NUMBERS

KEY NO.	PART NO.	PART DESCRIPTION	QTY.
1	079458-01BJ	Upper Shell	1
2	M15823-27	Screw (10-16 x 1/2)	6
3	M51075-01	Combustion Chamber Assembly	1
4	M16660	Bracket, Photocell	1
5	M10908-2	Screw (6-32 x 3/8)	2
6	M16656-10	Photocell Assembly	1
7		Burner Head Assembly	1
7-1	M51120-01	Nozzle	1
7-2	M10659-1	Washer, Nozzle	2
7-3	M10809-1	Spring, Nozzle	1
7-4	M8882	Sleeve, Nozzle	1
7-5	M50924-03	Body, Burner Head	1
7-6	M50820-02	Fitting, Barb	2
7-7	M10962-2	Spark Plug	1
8	M11084-27	Screw (10-16 x 3/8)	3
9	M51153-01	Fan	1
10		Motor and Pump Assembly	1
10-1	M51131-01	Motor (Split Single Phase)	1
10-2	M8645	Pump Body	1
10-3	FHPF34C	Screw (10-32 x 1/2)	2
10-4	M22009	Insert, Rotor	1
10-5	M22456-1	Rotor, Pump	1
10-6	M50545	Cover, Pump End	1
10-7	M12179	Filter, Intake	1
10-8	M16545	Cover, End Filter	1
10-9	M8940	Ball, Steel 1/4 Dia.	1
10-10	M10993-1	Spring, Relief	1
10-11	M27694	Screw, Adjusting	1
10-12	M22997	Plug	1
10-13	M12461-31	Screw (10-32 x 1)	10
10-14	M12244-1	Filter, Output	1
10-15	M11637	Filter, Lint	1
10-16	M50820-02	Fitting, Barb	1
10-17	M8643	Blade	4
11	M50631	Rubber Bumper	2
12	M51074-01	Motor Mounting Bracket	1
13	M11084-27	Screw (10-16 x 3/8)	2
14	NTC-4C	Hex Lock Nut	2

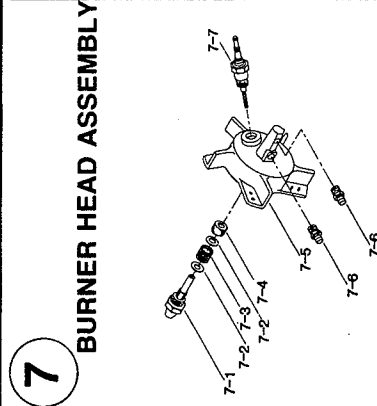
KEY NO.	PART NO.	DESCRIPTION	QTY.
15	M51114-01	Fan Guard	1
16	M16697-02	Transformer	1
17	M11084-27	Screw (10-16 x 1/2)	2
18	M51345-01	Fuel Line, Upper	1
19	M51150-01	Fuel Filter	1
20	M51151-01	Fuel Line Tube, Lower	1
21	M10990-3	Rubber Bushing	1
22	M50814-06	Airline	1
23	079459-01BJ	Lower Shell	1
24	M30865-02	Bushing	1
25	M30865-02	Bushing	1
26	M30865-02	Bushing	1
27	M50104-02	Bushing	1
28	M11084-26	Screw (12-14 x 1/2)	6
29	M11271-8	Clip Nut	6
30	M15823-37	Screw (Grounding, 8-18 x 1/4)	1
31	M51115-01AA	Fuel Tank	1
32	M51027-06	Cap, Fuel (Includes gasket)	1
33	M51122-01	Support PCB	1
34	M50671-02	Control, Flame Out PCB	1
35	M51157-01	Nut Hex 12mm	1
36	M11143-1	Bushing, Strain Relief	1
37	M10813-84	Cord, Power	1
38	M51077-01AA	Cover, Side	1
PARTS AVAILABLE - NOT SHOWN			
	079866-01	Decal, Tradename	
	M19294	Wheels	2
	M51015-01	Axle	1
	M12342-3	Frame Support Wheel	1
	HA2203	Handle	1
	M12345-33	Mounting Screws-Wheel Support	8
	M28526	Nut Cap	2
	NTC-3C	Nut, Hex Lock 10-24	8
OPTIONAL ACCESSORIES			
	HA1200	Thermostat	



HEATER EXPLODED VIEW

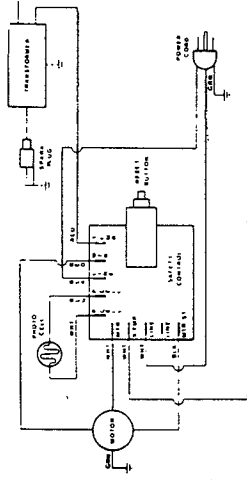


MOTOR PACKAGE ASSEMBLY



BURNER HEAD ASSEMBLY

WIRING DIAGRAM



SPECIFICATIONS

		C100D	C100D
OUTPUT Rating (BTU Per Hour) Fuel Fuel Tank Capacity, U.S. Gallons Fuel Consumption, Approx. U.S. Gal. Per Hour Electric Requirements Amperage (During Normal Run) Starting Amps		100,000 kerosene or #1 fuel oil	Motor RPM Air Output (CFM) Air Pump Pressure Shipping Weight (Approx. Lbs.) Without Fuel (Approx. Lbs.) Duct
		9.00	3450
		0.74	273
		120 60Hz.	4.00
	5.5	64.00	55.00
	10.0	No Duct Recommended	