

**A50, A90,  
A150 and A350  
Portable  
Space Heaters**



**PARTS  
CATALOG**

**JDM Division  
PC-1358**

LITHO IN U.S.A. (REVISED)

**PRODUCT IDENTIFICATION AND SERIAL NUMBER PLATE**

AN INDIVIDUAL PRODUCT IDENTIFICATION AND SERIAL NUMBER IS ASSIGNED TO EACH MACHINE. WHEN WRITING ABOUT OR FILLING OUT WARRANTY CLAIMS, USE ALL THE CHARACTERS SHOWN ON THE PLATE.

SERIAL NUMBERS FOR THIS PRODUCT APPEAR IN THREE DIFFERENT FORMATS AS FOLLOWS:

EXAMPLE: 9294000

9 - YEAR MANUFACTURED  
294000 - SERIAL NUMBER

EXAMPLE: AJ001001TY

AJ - PRODUCTION DATE CODE  
001001 - SERIAL NUMBER  
TY - FACTORY DESIGNATION (JDM DIVISION)

EXAMPLE: TYA350X405106

TY - FACTORY DESIGNATION (JDM DIVISION)  
A350 - MODEL OR MACHINE DESIGNINATION  
    0A50 SPACE HEATER      0A90 SPACE HEATER  
    A150 SPACE HEATER      A350S PACE HEATER  
X - CONFIGURATION CODE  
405106 - SERIAL NUMBER

**SERIAL NUMBER LISTING INFORMATION**

SERIAL NUMBER INFORMATION IS LISTED TO SHOW ON WHICH MACHINES EACH PART CAN BE USED; FOR EXAMPLE:

- THE PART CAN BE USED ON ALL MACHINES.  
000000- THE PART CAN BE USED ON ALL MACHINES BEGINNING WITH THE SERIAL NUMBER LISTED.  
000000 THE PART CAN BE USED ON ALL MACHINES UP TO AND INCLUDING SERIAL NUMBER LISTED.  
000000-000000 THE PART CAN BE USED ON ALL MACHINES BETWEEN AND INCLUDING THE SERIAL NUMBERS LISTED.

WHEN XXXXXX'S ARE LISTED IN PLACE OF A SERIAL NUMBER, A SERIAL NUMBER CHANGE WAS MADE BUT THE EXACT SERIAL NUMBER WAS NOT AVAILABLE WHEN THE CATALOG WAS PRODUCED.

### **BOX-ENCLOSED ILLUSTRATIONS**

A KEY NUMBER, SHOWN IN THE PARTS LIST, IS ASSIGNED TO A BOX ENCLOSING ALL PARTS SOLD AS A SERVICE ASSEMBLY.

### **BOLT AND CAP SCREW STRENGTH IDENTIFICATION**

BOLTS AND CAP SCREWS REQUIRED TO HAVE HIGH-STRENGTH QUALITIES EQUIVALENT TO SAE GRADE 8 ARE IDENTIFIED THROUGHOUT THIS CATALOG BY THE DESCRIPTION HS SAE 8. ALL STANDARD BOLTS AND CAP SCREWS ARE SAE GRADE 5 OR LOWER.

### **COMPLETE GOODS LISTINGS**

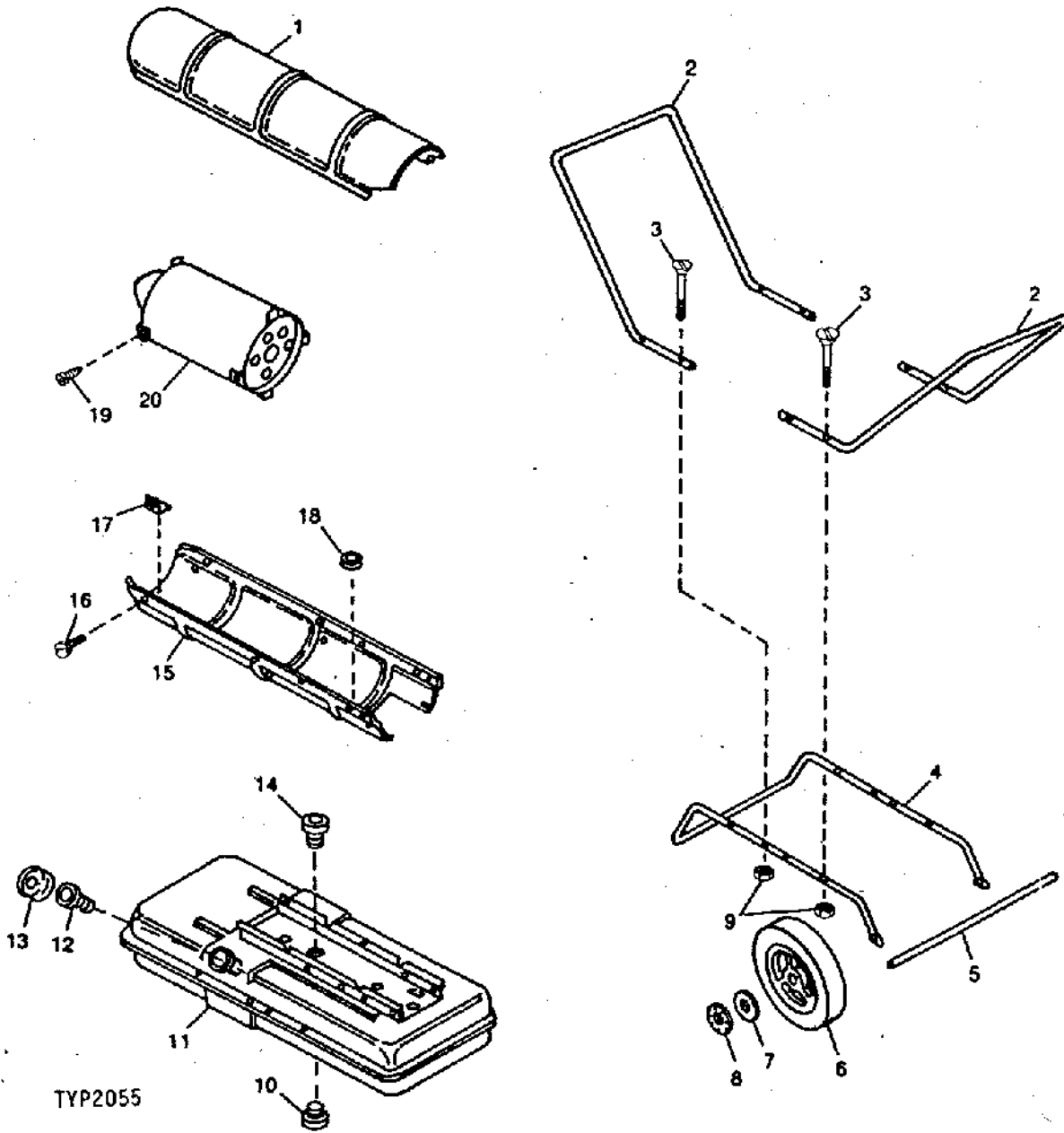
COMPLETE GOODS ARE LISTED IN BOLD FACE TYPE. ORDER SEPARATELY. DO NOT INCLUDE ON REPLACEMENT PARTS ORDER.

### **SI UNITS OF MEASURE**

METRIC DIMENSIONS ARE GIVEN, WHERE APPLICABLE, THROUGHOUT THIS PARTS CATALOG.

COVERS, COMBUSTION CHAMBER, FUEL TANK, HANDLES AND WHEELS  
(SERIAL NO. -405105)

TYP2055



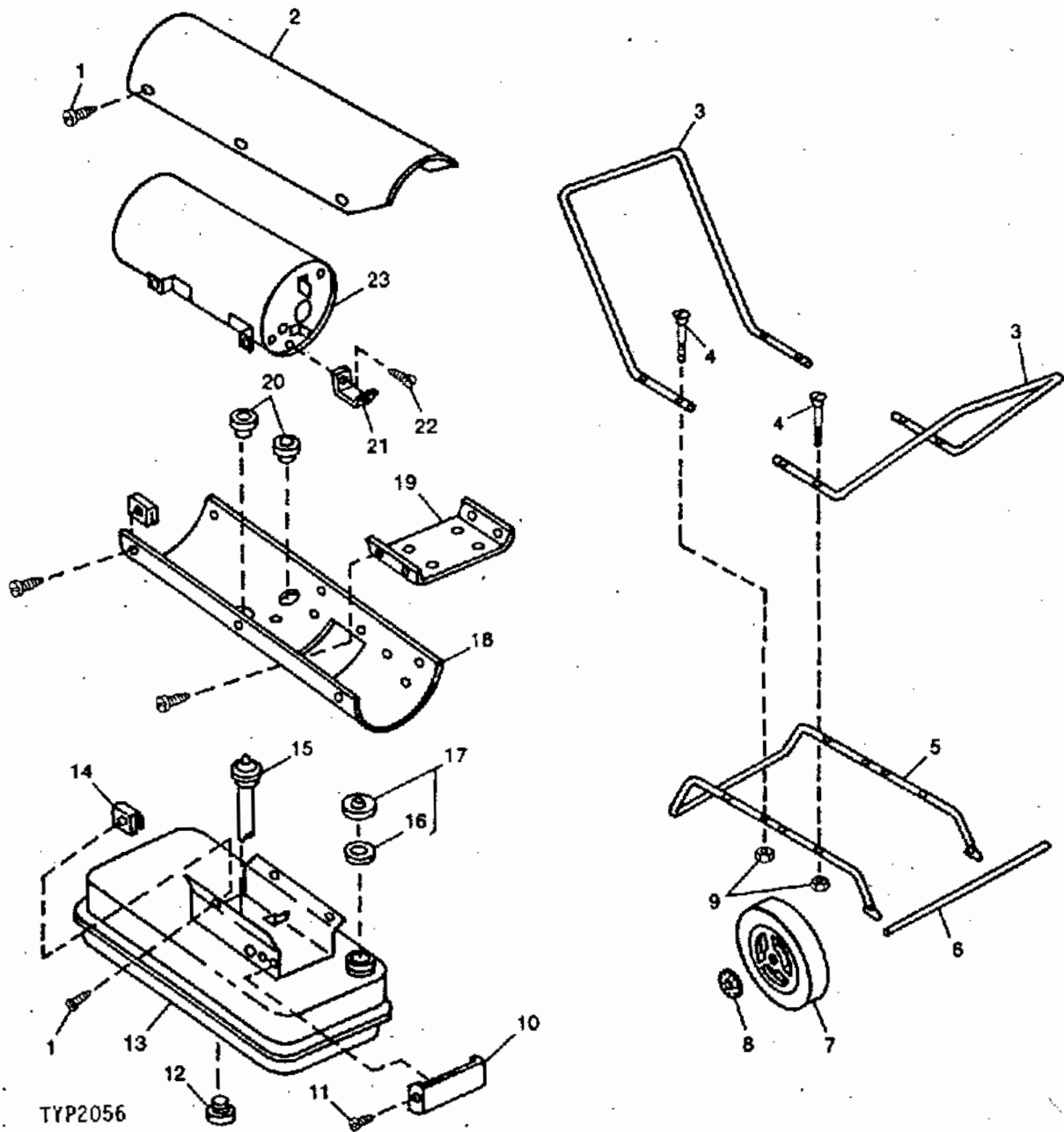
TYP2055

COVERS, COMBUSTION CHAMBER, FUEL TANK, HANDLES AND WHEELS - CONTINUED  
(SERIAL NO. -405105)

KEY	PART NO.	PART NAME	QTY	SERIAL NO. OR YEAR	REMARKS
1	TY4105	COVER	1		
2	TY4107	HANDLE	2		
3	TY4094	SCREW	8	-1979	SUB. 21H1199
	21H1199	SCREW	8		NO. 10 X 1-3/4"
4	TY4108	FRAME	1		
5	TY4098	AXLE	1		
6	TY4108	WHEEL	2		
7	TY4062	WASHER	4	-1979	SUB. 24H1700
	24H1700	WASHER	4		15/32" X 1" X 0.134"
8	TY4063	NUT	2		
9	TY4057	NUT	8	-1979	SUB. 14H631
	14H631	NUT	8		NO. 10
10	TY4185	PLUG	1	-302405	
	PT1224	PLUG	1	302406-	
	TY4209	O-RING	1	-1974	SUB. TY4185
	TY4210	PLUG	1	-1974	SUB. TY4185
11	TY4099	FUEL TANK	1	-1974	
	PT1225	FUEL TANK	1		
12	TY4061	SCREEN	1		
13	TY4032	FILLER CAP	1		
14	TY4030	BUSHING	1		
15	TY4100	COVER	1		
16	TY4033	SCREW	8		NO. 10 X 1/2" (SUB. 37H49)
	37H49	SCREW	12		NO. 10 X 1/2"
17	TY4058	NUT	6		
18	TY4037	GROMMET	6		NO. 10 X 1/2" (SUB. 37H49)
19	TY4095	SCREW	4		(SUB. 37H42)
	37H42	SCREW	4		NO. 10 X 3/8"
20	TY4087	CHAMBER	1		

COVERS, COMBUSTION CHAMBER, FUEL TANK, HANDLES AND WHEELS  
(SERIAL NO. 405106- )

TYP2056



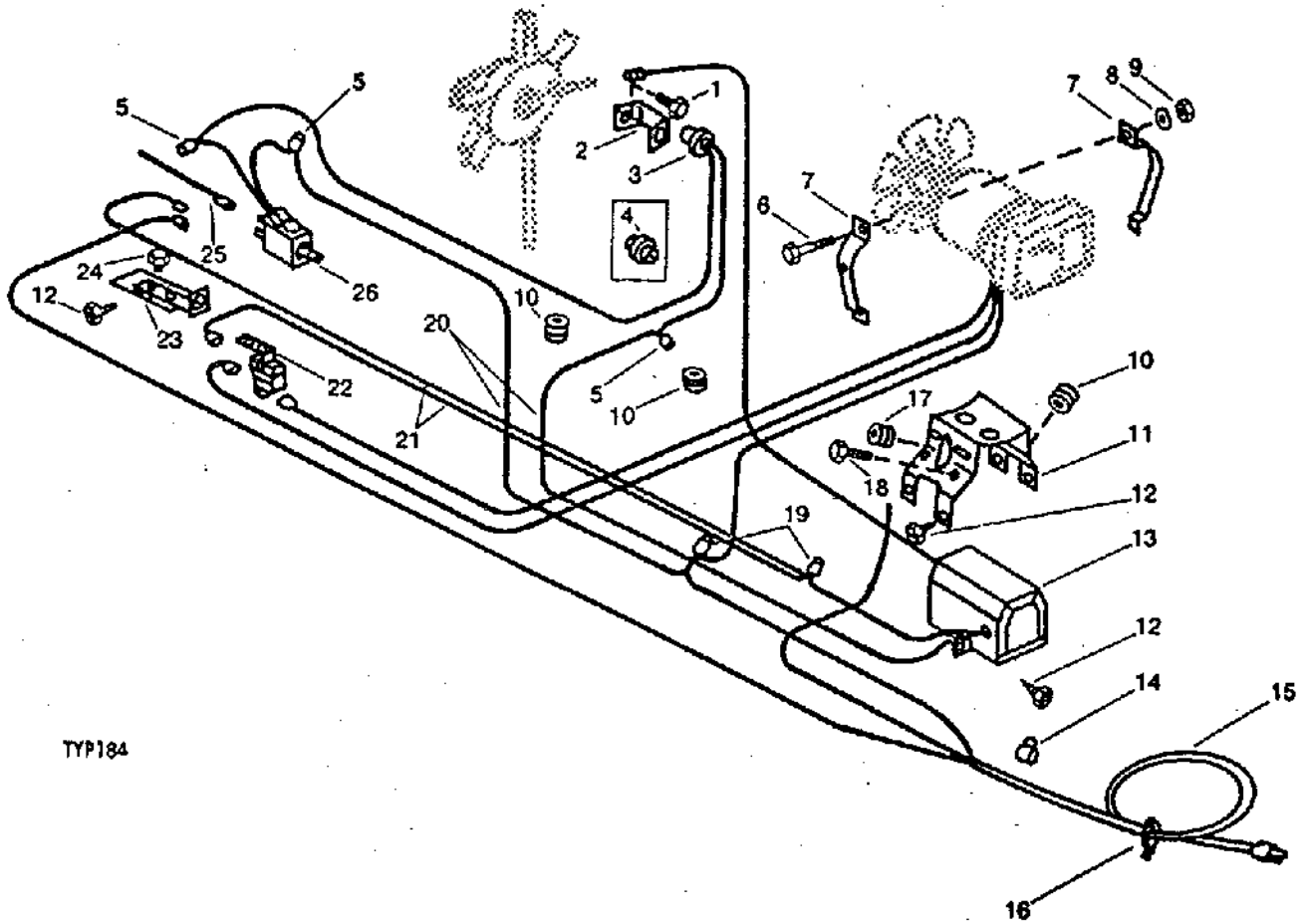
TYP2056

**COVERS, COMBUSTION CHAMBER, FUEL TANK, HANDLES AND WHEELS - CONTINUED**  
 (SERIAL NO. 405106- )

KEY	PART NO.	PART NAME	QTY	SERIAL NO. OR YEAR	REMARKS
1	37H49	SCREW	14		NO. 10 X 1/2"
2	PT8312	COVER	1		
3	PT8335	HANDLE	2		
4	21H1199	SCREW	8		NO. 10 X 1-3/4"
5	PT8334	FRAME	1		
6	PT8363	AXLE	1		
7	TY4108	WHEEL	2		
8	TY4063	NUT	2		
9	TY4057	NUT	8		
10	PT8349	BRACKET	1		
11	37H42	SCREW	2		NO. 10 X 3/8"
12	PT1224	PLUG	1		
13	PT8313	FUEL TANK	1		
14	TY4058	NUT	1		
15	PT8359	BUSHING	1		
16	PT8393	GASKET	1		
17	PT8364	KIT	1		FUEL CAP
18	PT8311	COVER	1		
19	PT8341	BRACKET	1		
20	TY4036	GROMMET	1		
21	TY4039	BRACKET	1		
22	PT8319	CAP SCREW	2		
23	PT8352	CHAMBER	1		

ELECTRICAL COMPONENTS  
(SERIAL NO. -405105)

TYP184



TYP184

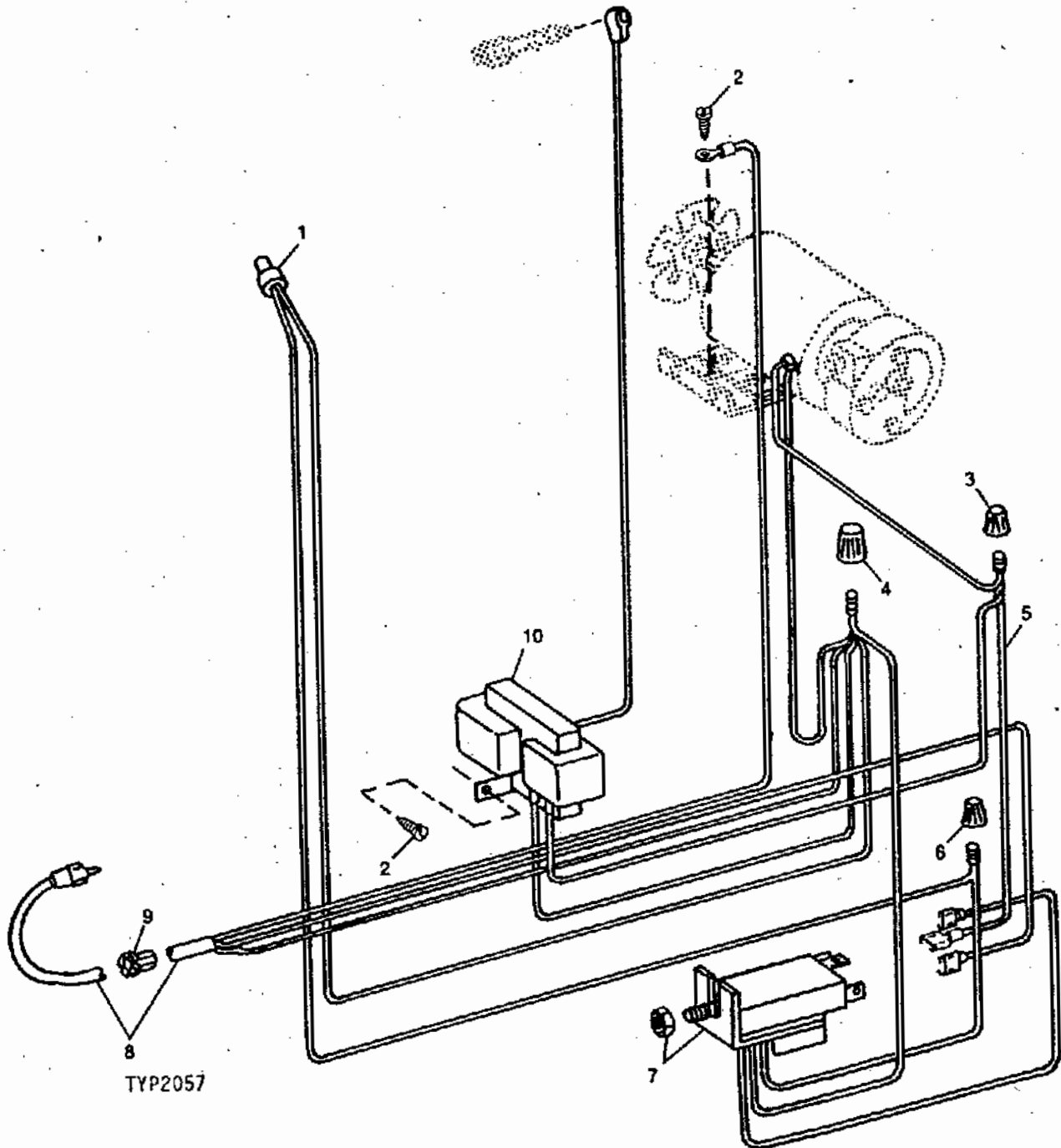


ELECTRICAL COMPONENTS - CONTINUED  
(SERIAL NO. -405105)

KEY	PART NO.	PART NAME	QTY	SERIAL NO. OR YEAR	REMARKS
1	TY4038	SCREW	2		SUB. 37H15
	37H15	SCREW	2		6 X 1/4"
2	TY4039	BRACKET	1		
3	TY4093	PHOTOCELL	1	-1979	SUB. TY4084
	TY4084	PHOTOCELL	1		
	TY4208	PHOTOCELL	1	-1983	SUB. TY8084
4	TY4592	APERTURE	1	-216630	USED ONLY WITH TY4060
5	TY4053	CONNECTOR	3		4/8" I.D. X 11/32" O.D. X 37/64" LONG
6	TY4055	SCREW	2		1/4" (SUB. 19H1791)
	19H1791	CAP SCREW	2		1/4" X 1-1/4"
7	TY4054	CLAMP	4		
8	TY4056	WASHER	2		1/4" (SUB. 12H302)
	12H302	LOCK WASHER	2		1/4"
9	14H786	NUT	2		1/4"
10	TY4036	GROMMET	3		
11	TY4181	SUPPORT	1		
	TY4182	SUPPORT	1	-216630	
	TY4181	SUPPORT	1	216631-	
12	TY4033	SCREW	7		SUB. 37H49
	37H49	SCREW	7		NO. 10 X 1/2"
13	TY4064	TRANSFORMER	1	-216630	SUB. PT1430
	PT1430	TRANSFORMER	1	216631-	
14	TY4050	BUSHING	1		
	TY4126	BUSHING	1		
15	TY4104	POWER CORD	1	-1978	355.6 MM (14") LONG (SUB. PT1220)
	PT1220	POWER CORD	1		2.44 M (8') LONG
	TY4125	POWER CORD	1	-1978	355.6 MM (14") LONG (SUB. PT1221)
	PT1221	POWER CORD	1		2.44 M (8') LONG
16	TY4184	TIE BAND	1		
17	TY4037	GROMMET	1		
18	TY4159	SCREW	1		SUB. 37H42
	37H42	SCREW	1		NO. 10 X 3/8"
19	TY4059	CONNECTOR	2	-1978	SUB. PT1216
	PT1216	CONNECTOR	2		
20	TY4213	WIRE	1		
21	TY4211	WIRE	1	-1979	16 GAUGE (SUB. TY4212)
	TY4212	WIRE	2		18 GAUGE
22	TY4097	RELAY	1		
23	TY4096	BRACKET	1		
	TY4183	BRACKET	1	-1979	
	TY4165	BRACKET	1		
24	TY4051	SCREW	1		NO. 8 X 1/4"
25	PT3937	WIRE	1		16 GAUGE
26	PT1219	CIRCUIT BREAKER	1	1975-1978	REPAIRS FOR PT1217 ONLY (SUB. PT3936)
	PT1218	SENSOR	1	1975-1978	REPAIRS FOR PT1217 ONLY (SUB. PT3936)
	TY4060	CONTROL	1	-1978	SUB. PT3936
	TY4587	CONTROL	1	-1978	SUB. PT3936
	PT1217	CONTROL	1	-1978	SUB. PT3936
	PT1433	CONTROL	1	-1979	SUB. PT3936
	PT3936	CONTROL	1		

ELECTRICAL COMPONENTS  
(SERIAL NO. 405106- )

TYP2057



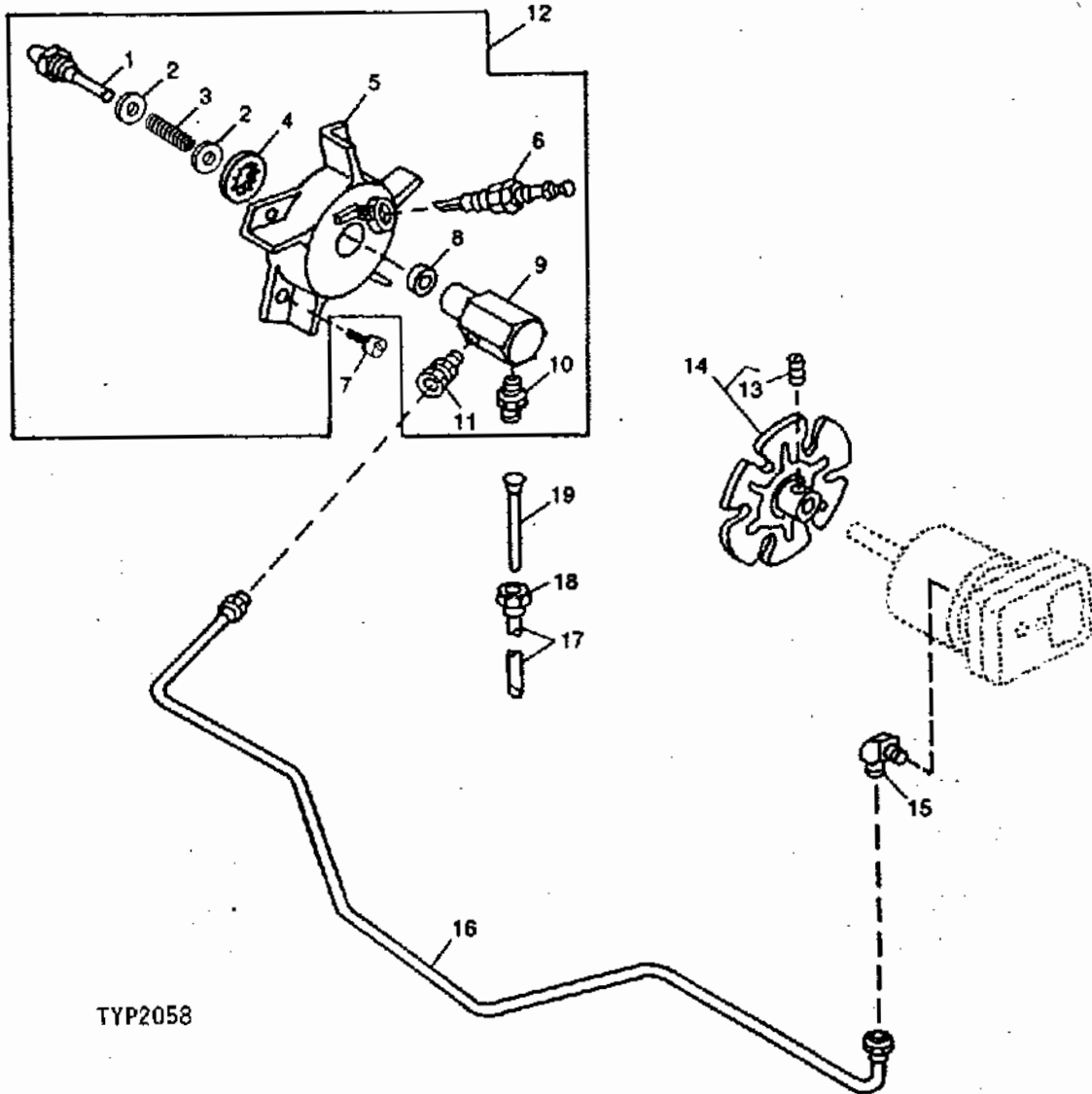
TYP2057

ELECTRICAL COMPONENTS - CONTINUED  
(SERIAL NO. 405106- )

KEY	PART NO.	PART NAME	QTY	SERIAL NO. OR YEAR	REMARKS
1	TY4084	PHOTOCELL	1		
2	37H42	SCREW	1		NO. 10 X 3/8"
3	PT1216	CONNECTOR	1		
4	PT8327	CONNECTOR	1		
5	TY4212	WIRE	1		
6	TY4053	CONNECTOR	1		
7	PT3936	CONTROL	1		
8	PT8310	POWER CORD	1		
9	TY4050	BUSHING	1		
10	PT1430	TRANSFORMER	1		

NOZZLE, HOUSING, AIRLINE AND FAN  
(SERIAL NO. -405105)

TYP2058



TYP2058

THIS PARTS LISTING IS CONTINUED

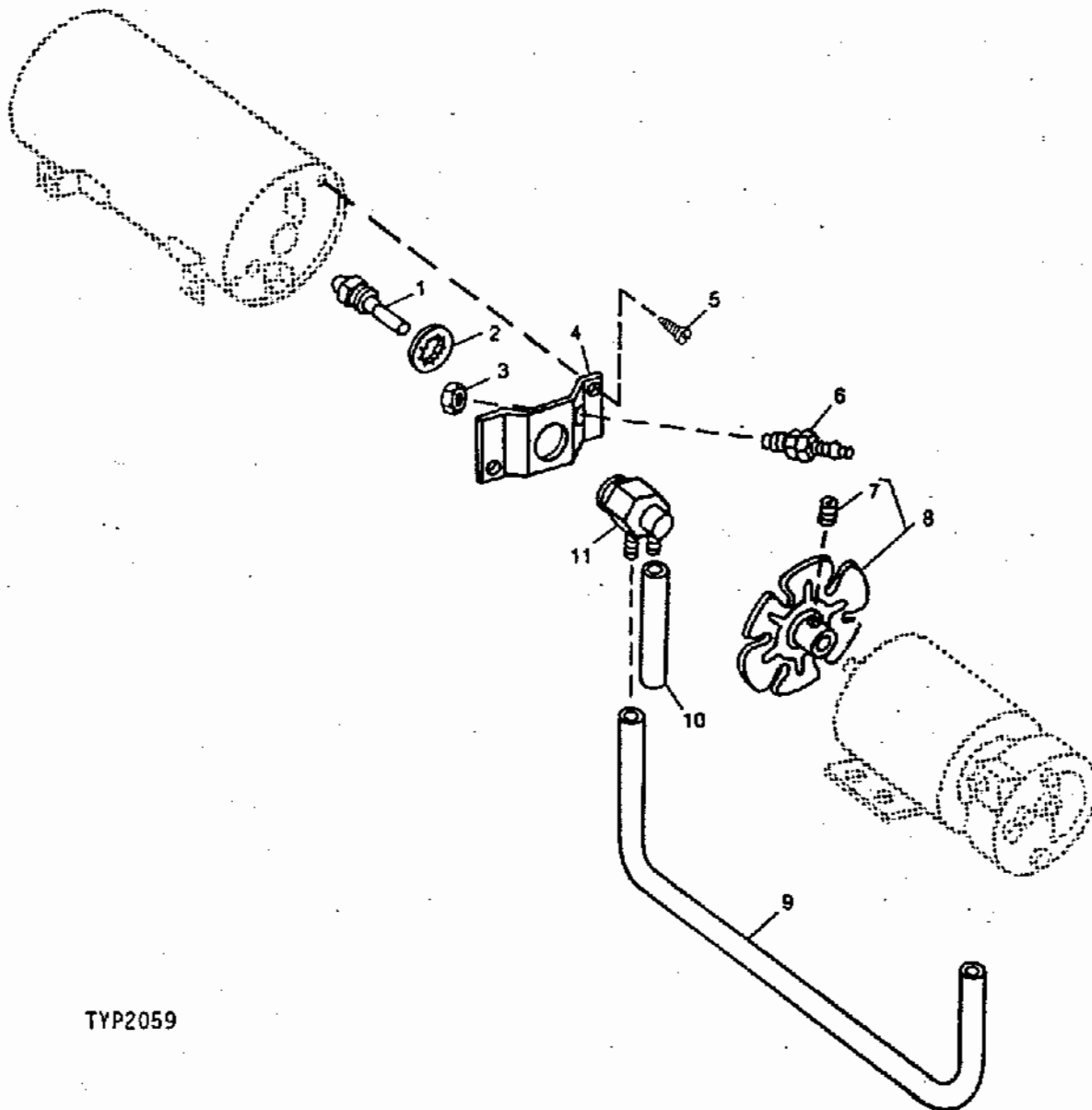
SPACE HEATERS, PORTABLE - A50, A80, A150 AND A350 PC-1358 (24-OCT-83) LITHO IN U.S.A.

**NOZZLE, HOUSING, AIRLINE AND FAN - CONTINUED**  
**(SERIAL NO. -405105)**

KEY	PART NO.	PART NAME	QTY	SERIAL NO. OR YEAR	REMARKS
1	TY4089	NOZZLE	1		
2	TY4043	WASHER	2		
3	TY4044	SPRING	1		
4	TY4041	RING	1		
5	TY4088	HOUSING	1		
6	TY4040	SPARK PLUG	1	-1979	SUB. TY4589
	TY4589	SPARK PLUG	1		
7	TY4033	SCREW	3		SUB. 37H49
	37H49	SCREW	3		NO. 10 X 1/2"
8	TY4045	SLEEVE	1		
9	TY4046	ADAPTER	1		
	TY4186	ADAPTER	1	-1979	
10	TY4047	CONNECTOR	1		
11	TY4048	CONNECTOR	1		
12	TY4172	HOUSING	1		
13	TY4176	SCREW	2		1/4" X 5/16" (SUB. 22H1009)
	22H1009	SET SCREW	2		1/4" X 5/16"
14	TY4177	FAN	1	-1977	(SUB. TY4254)
	TY4254	FAN	1		
15	TY4102	ELBOW	1		90°
16	TY4090	LINE	1		
17	TY4086	TUBE	1		
18	TY4034	NUT	1		
19	TY4035	FILTER	1		

NOZZLE, AIRLINE AND FAN  
(SERIAL NO. 405106- )

TYP2059



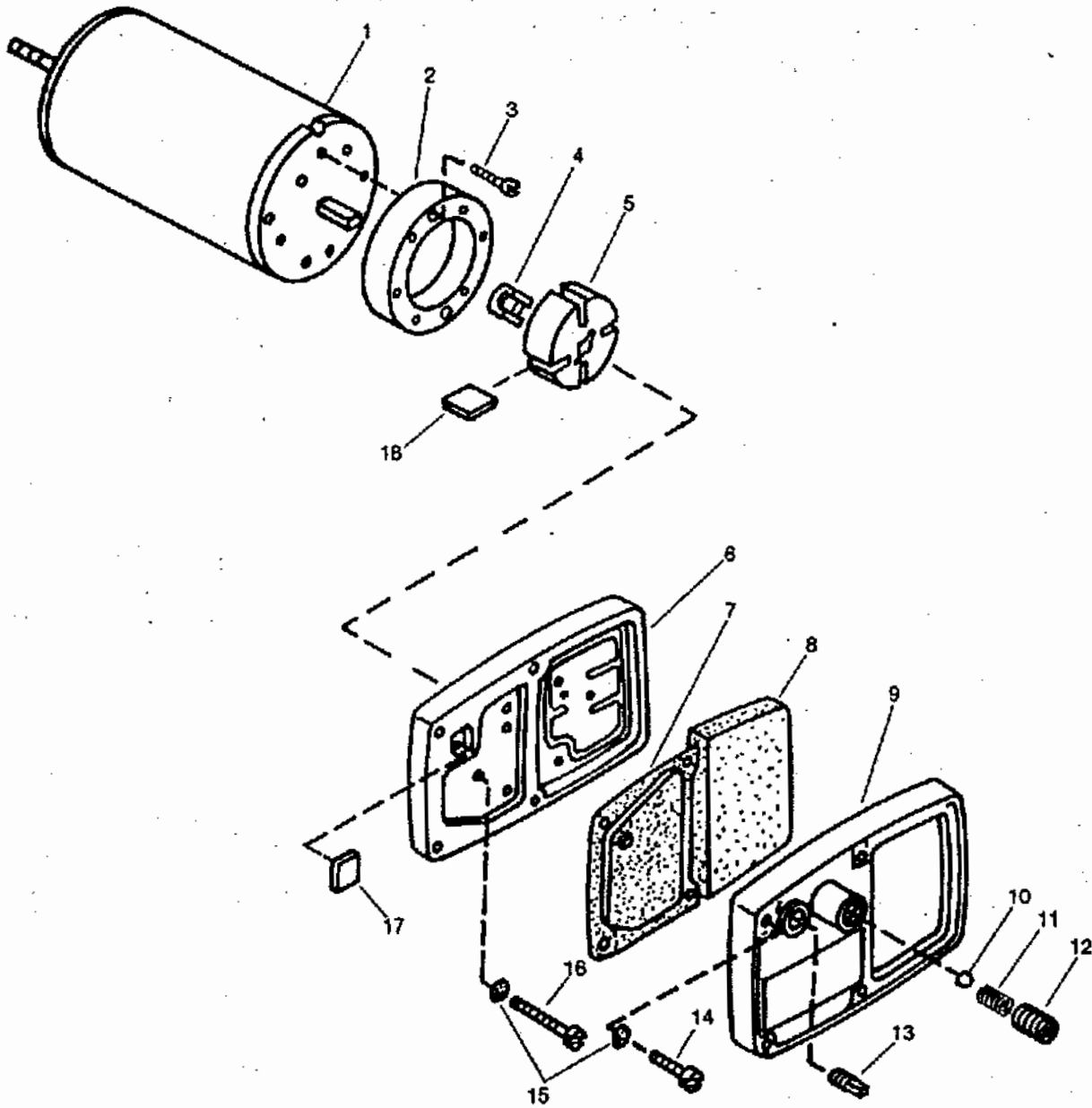
TYP2059

NOZZLE, AIRLINE AND FAN - CONTINUED  
(SERIAL NO. 405106- )

KEY	PART NO.	PART NAME	QTY	SERIAL NO. OR YEAR	REMARKS
1	PT8350	NOZZLE	1		
2	TY4041	RING	1		
3	PT8347	NUT	1		
4	PT8340	BRACKET	1		
5	37H42	SCREW	2		NO. 10 X 3/8"
6	PT8348	SPARK PLUG	1		
7	22H1009	SET SCREW	1		1/4" X 5/16"
8	PT8353	FAN	1		
9	PT8344	TUBE	1		
10	PT8345	TUBE	1		
11	PT8346	ADAPTER	1		

MOTOR AND PUMP  
(SERIAL NO. -405105)

TYP190



TYP190

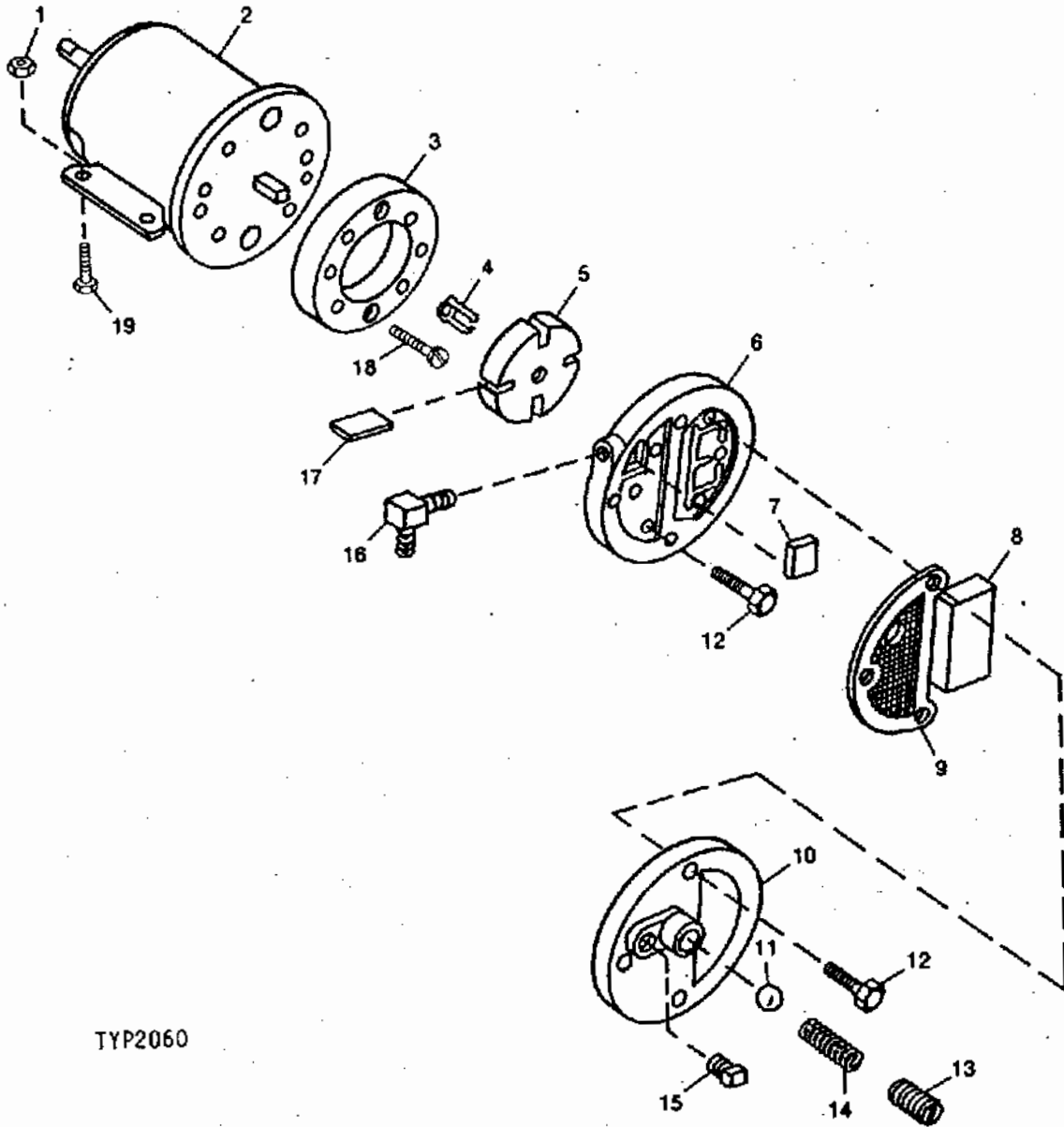


MOTOR AND PUMP - CONTINUED  
 (SERIAL NO. -405105)

KEY	PART NO.	PART NAME	QTY	SERIAL NO. OR YEAR	REMARKS
1	TY4101	MOTOR	1		
2	TY4076	HOUSING	1		
3	TY4144	SCREW	2		(SUB. 21H1195)
	21H1195	SCREW	2		NO. 10 X 7/8"
4	TY4074	INSERT	1		
5	TY4075	ROTOR	1		
6	TY4068	COVER	1		
7	TY4066	FILTER ELEMENT	1		
8	TY4071	FILTER ELEMENT	1		
9	TY4069	COVER	1		
10	TY4078	BALL	1		
11	TY4079	SPRING	1		
12	TY4080	SCREW	1	-1976	SUB. PT1223
	PT1223	SCREW	1		
13	TY4067	PLUG	1		
14	TY4070	SCREW	4	-1979	SUB. 21H985
	21H985	SCREW	4		NO. 10 X 1"
15	12H295	LOCK WASHER	10		NO. 10
16	TY4072	SCREW	6		SUB. 21H1365
	21H1365	SCREW	6		NO. 10 X 1-1/8"
17	TY4077	FILTER ELEMENT	1		
18	TY4073	BLADE	4		
..	TY4179	MOTOR	1	-1977	(NOT AVAILABLE)

MOTOR AND PUMP  
(SERIAL NO. 405106- )

TYP2080



TYP2060

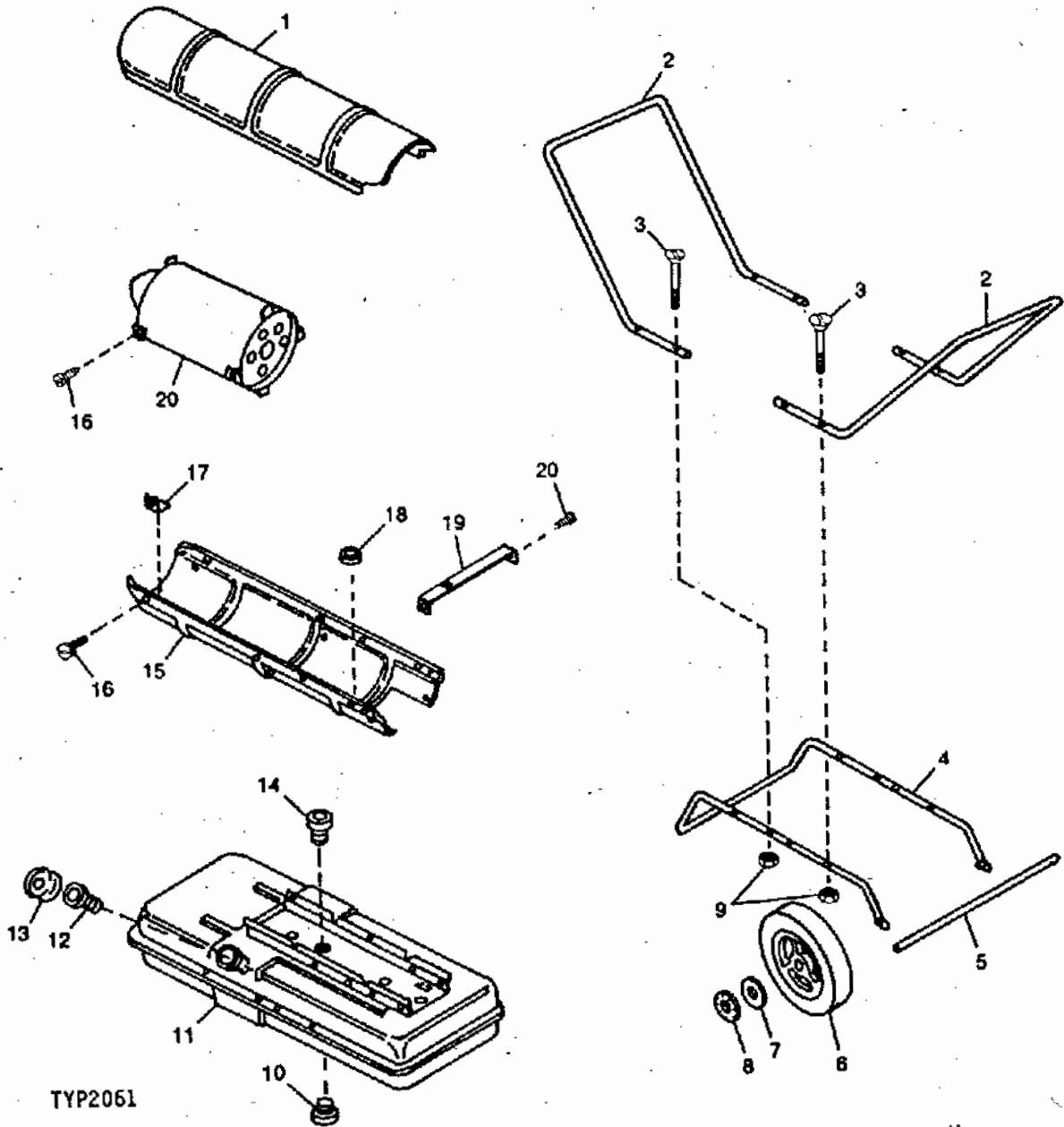
MOTOR AND PUMP - CONTINUED  
(SERIAL NO. 405106- )

KEY	PART NO.	PART NAME	QTY	SERIAL NO. OR YEAR	REMARKS
1	TY4057	NUT	4		
2	PT8351	MOTOR	1		
3	TY4076	HOUSING	1		
4	TY4074	INSERT	1		
5	TY4075	ROTOR	1		
6	PT8337	PUMP	1		
7	PT8342	FILTER	1		
8	PT8343	FILTER	1		
9	PT8339	FILTER	1		
10	PT8338	COVER	1		
11	TY4078	BALL	1		
12	21H1312	CAP SCREW	9		NO. 10 X 1"
13	PT1223	SCREW	1		
14	TY4079	SPRING	1		
15	TY4067	PLUG	1		
16	PT8354	ELBOW	1		
17	TY4073	BLADE	4		
18	21H982	SCREW	2		NO. 10 X 1/2"
19	19H1300	CAP SCREW	4		NO. 10 X 3/8"

KEY	PART NO.	PART NAME	QTY	DECALS		REMARKS
				SERIAL NO.	OR YEAR	
..	TY4191	DECAL	1	-1979		FOR FRONT OF SAFETY CONTROL (SUB. PT3906)
..	TY4192	DECAL	2	-1979		(FOR REAR OF EACH SIDE) (SUB. PT3906)
..	TY4193	DECAL	2	-1978		FOR REAR OF EACH SIDE FOLLOWING "JOHN DEERE" (SUB. PT3906)
..	TY4194	DECAL	1	-1979		(FOR TOP REAR) (SUB. PT3906)
..	TY4195	INSTRUCTIONS	1	-1979		(FOR FUEL TANK) (SUB. PT3906)
..	TY4081	DECAL	1	-1979		(INSIDE UPPER SHELL) (SUB. PT3906)
..	TY4204	DECAL	1	-1979		(FOR FUEL TANK) (SUB. PT3906)
..	TY4205	PLATE	2	-1979		(FOR REAR OF FUEL TANK) (NOT AVAILABLE FOR SERVICE)
..	PT3906	DECAL KIT	1	-405105		CONSISTS OF: LEAPING DEER CAUTION DECAL (2) "JOHN DEERE" DECALS (2) "A50" DECALS OPERATION/MAINTENANCE DECAL SPECIFICATIONS DECAL WARNING/FUELING DECAL WIRING DECAL SPARK PLUG DECAL
..	PT8372	DECAL KIT	1	405106-		

COVERS, COMBUSTION CHAMBER, FUEL TANK, HANDLES AND WHEELS  
(SERIAL NO. -405105)

TYP2061



TYP2061

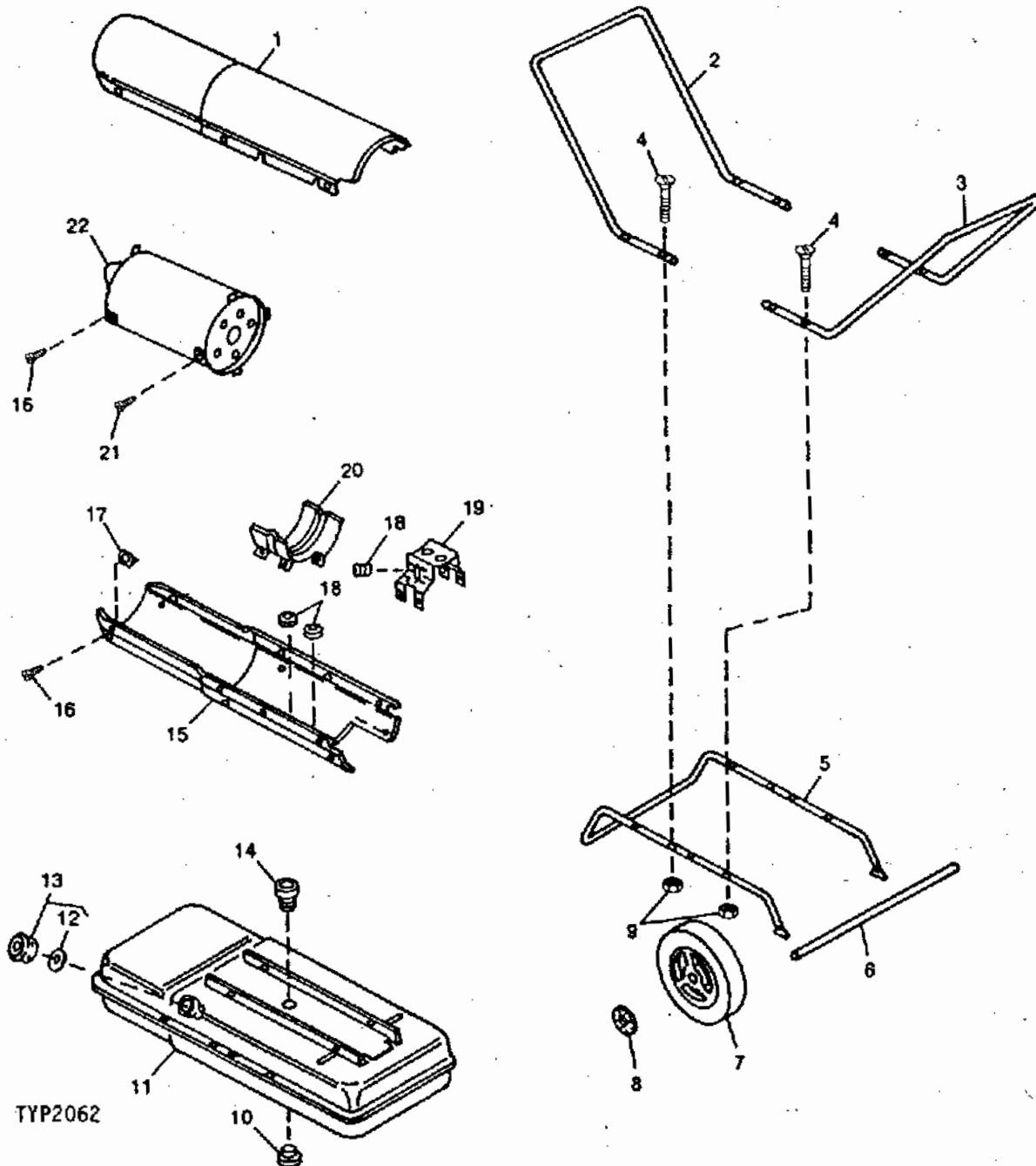
THIS PARTS LISTING IS CONTINUED

COVERS, COMBUSTION CHAMBER, FUEL TANK, HANDLES AND WHEELS - CONTINUED  
(SERIAL NO. -405105)

KEY	PART NO.	PART NAME	QTY	SERIAL NO. OR YEAR	REMARKS
1	TY4110	COVER	1		
2	TY4121	HANDLE	2		
3	TY4082	SCREW	8	-1979	(SUB. 21H1383)
	21H1383	SCREW	8		NO. 10 X 2"
4	TY4122	FRAME	1		
5	TY4123	AXLE	1		
6	TY4124	WHEEL	2		
7	TY4062	WASHER	4	-1979	SUB. 24H1700
	24H1700	WASHER	4		15/32" X 1" X 0.134"
8	TY4063	NUT	2		
9	TY4057	NUT	8	-1979	SUB. 14H631
	14H631	NUT	8		NO. 10
10	TY4185	PLUG	1	-304601	
	PT1224	PLUG	1	304602-	
	TY4209	O-RING	1	-1974	(SUB. TY4185)
	TY4210	PLUG	1	-1974	SUB. TY4185
11	TY4109	FUEL TANK	1	-1974	(SUB. PT1226)
	PT1226	FUEL TANK	1		
12	TY4061	SCREEN	1		
13	TY4032	FILLER CAP	1		
14	TY4030	BUSHING	1		
15	TY4111	COVER	1		
16	TY4033	SCREW	10	-1979	NO. 10 X 1/2" (SUB. 37H49)
	37H49	SCREW	12		NO. 10 X 1/2"
17	TY4058	NUT	6		
18	TY4037	GROMMET	1		
19	TY4174	STRAP	1		
20	TY4114	CHAMBER	1		

COVERS, COMBUSTION CHAMBER, FUEL TANK, HANDLES AND WHEELS  
(SERIAL NO. 405106- )

TYP2062



TYP2062

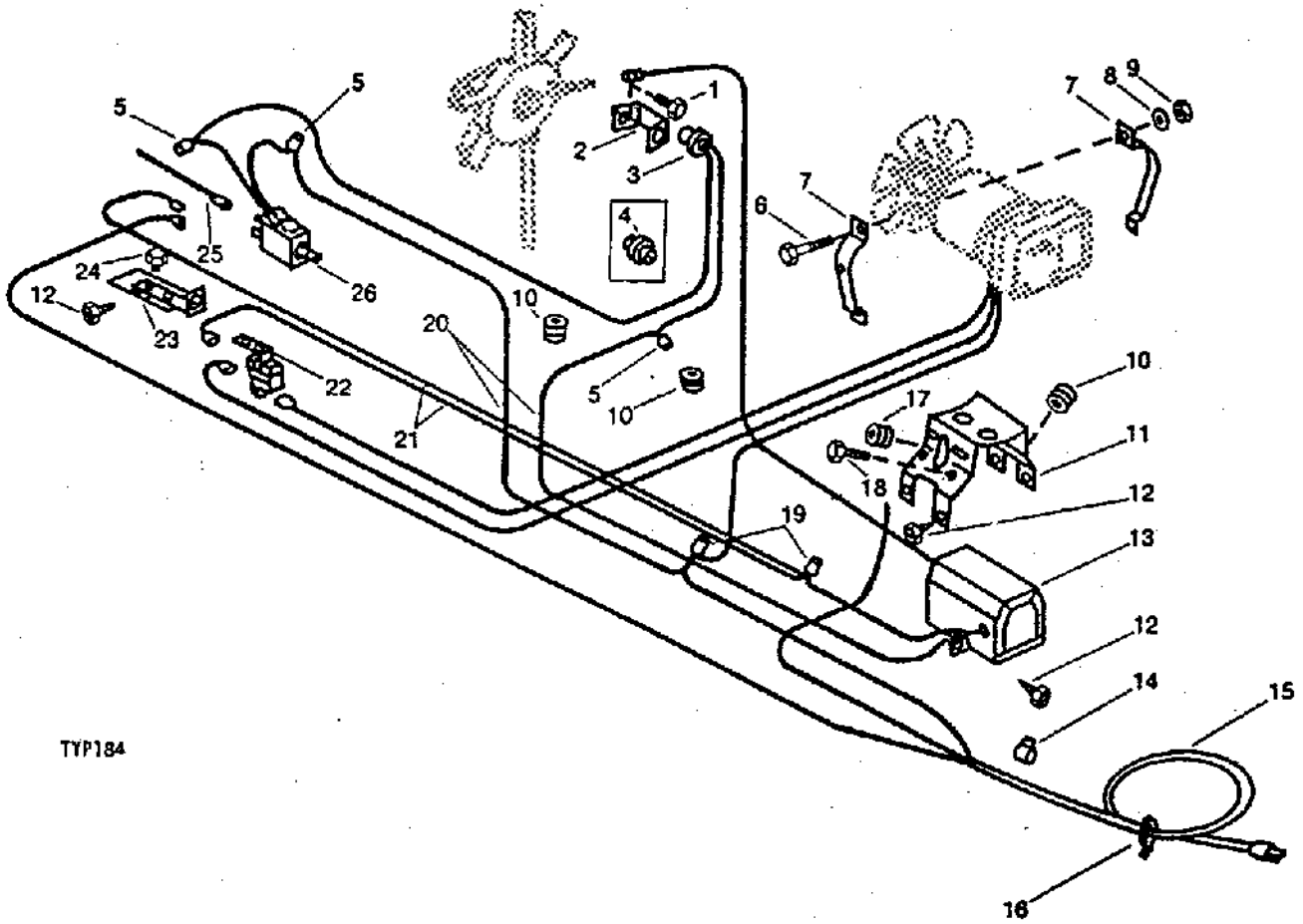
**COVERS, COMBUSTION CHAMBER, FUEL TANK, HANDLES AND WHEELS - CONTINUED**  
 (SERIAL NO. 405106- )

KEY	PART NO.	PART NAME	QTY	SERIAL NO. OR YEAR	REMARKS
1	PT8314	COVER	1		
2	PT8328	HANDLE	1		
3	PT8368	HANDLE	1		
4	21HT199	SCREW	8		NO. 10 X 1-3/4"
5	PT8371	FRAME	1		
6	PT8362	AXLE	1		
7	TY4124	WHEEL	2		
8	TY4063	NUT	2		
9	TY4057	NUT	8		
10	PT1224	PLUG	1		
11	PT8361	FUEL TANK	1		
12	PT8393	GASKET	1		
13	PT8364	KIT	1		FUEL CAP
14	TY4030	BUSHING	1		
15	PT8315	COVER	1		
16	37H49	SCREW	1		NO. 10 X 3/8"
17	TY4058	NUT	1		
18	TY4036	GROMMET	3		
19	PT2107	BRACKET	1		
20	PT8321	BRACKET	1		
21	PT8320	SCREW	1		
22	TY4114	CHAMBER	1		



ELECTRICAL COMPONENTS  
(SERIAL NO. -405105)

TYP184



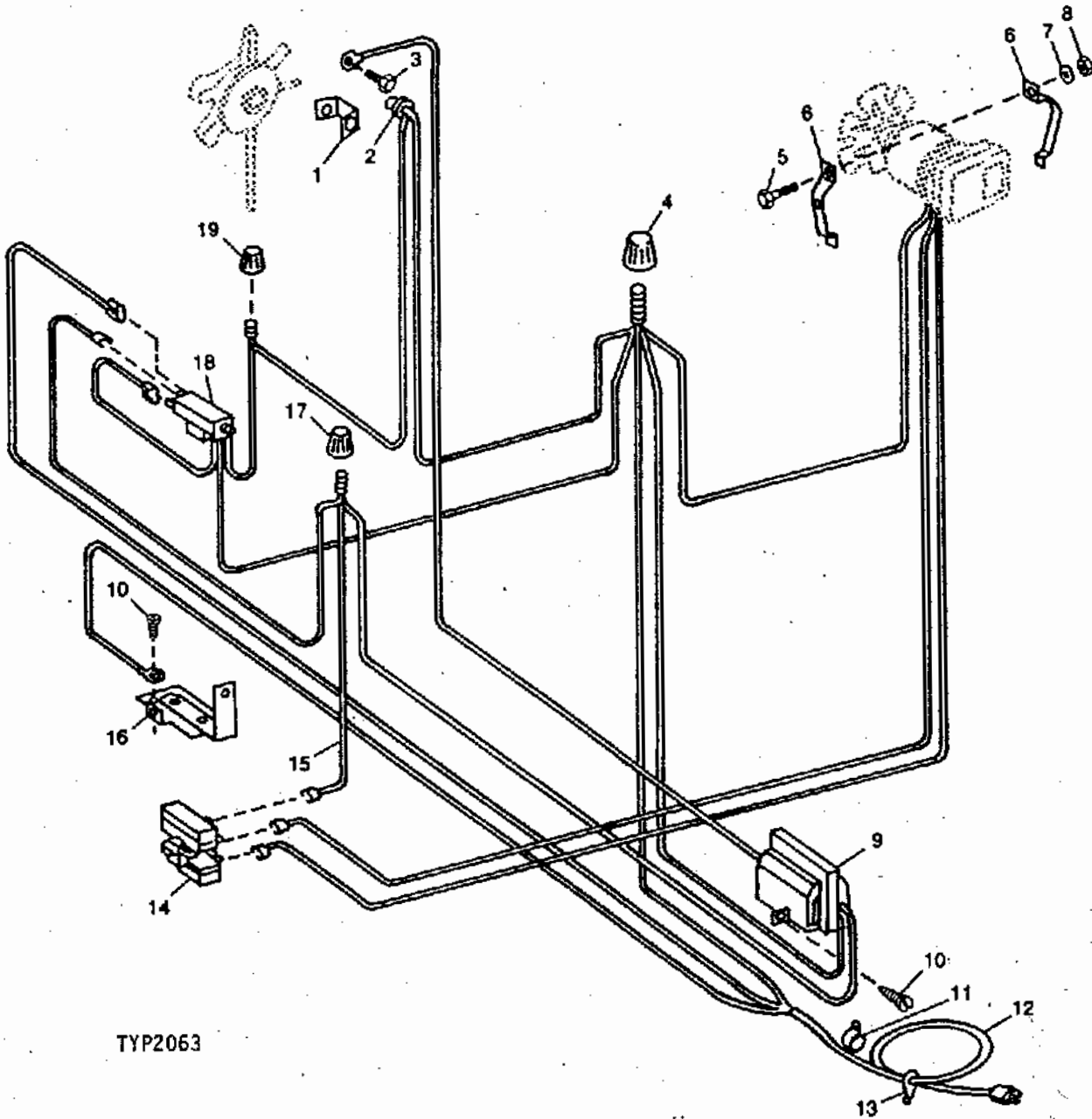
TYP184

**ELECTRICAL COMPONENTS - CONTINUED**  
(SERIAL NO. -405105)

KEY	PART NO.	PART NAME	QTY	SERIAL NO. OR YEAR	REMARKS
1	TY4038	SCREW	2	-1979	SUB. 37H15
	37H15	SCREW	2		6 X 1/4"
2	TY4039	BRACKET	1		
3	TY4084	PHOTOCELL	1		
	TY4208	PHOTOCELL	1	-1983	SUB. TY4084
4	TY4592	APERTURE	1	-216630	USED ONLY WITH TY4060
5	TY4053	CONNECTOR	3		4/8" I.D. X 11/32" O.D. X 37/64" LONG
6	TY4055	SCREW	2	-1979	1/4" (SUB. 19H1791)
	19H1791	CAP SCREW	2		1/4" X 1-1/4"
7	TY4054	CLAMP	4		
8	TY4056	WASHER	2	-1979	1/4" (SUB. 12H302)
	12H302	LOCK WASHER	2		1/4"
9	14H786	NUT	2		1/4"
10	TY4036	GROMMET	3		
11	TY4182	SUPPORT	1	-216630	
	TY4181	SUPPORT	1	216631-	
12	TY4033	SCREW	7	-1979	SUB. 37H49
	37H49	SCREW	7		NO. 10 X 1/2"
13	TY4054	TRANSFORMER	1	-216630	SUB. PT1430
	PT1430	TRANSFORMER	1	216631-	
14	TY4126	BUSHING	1		
15	TY4125	POWER CORD	1	-1978	355.6 MM (14") LONG (SUB. PT1220)
	PT1221	POWER CORD	1	-1983	2.44 M (8') LONG (SUB. PT1220)
	PT1220	POWER CORD	1		2.44 M (8') LONG
16	TY4184	TIE BAND	1		
17	TY4037	GROMMET	1		
18	TY4159	SCREW	1		SUB. 37H42
	37H42	SCREW	1	-1979	NO. 10 X 3/8"
19	TY4059	CONNECTOR	2	-1976	SUB. PT1216
	PT1216	CONNECTOR	2		
20	TY4213	WIRE	1		
21	TY4211	WIRE	1	-1979	16 GAUGE (SUB. TY4212)
	TY4212	WIRE	2		18 GAUGE
22	TY4129	RELAY	1	-216630	
	TY4166	RELAY	1	216631-	
23	TY4183	BRACKET	1	-1979	(SUB. TY4165)
	TY4165	BRACKET	1		
24	TY4051	SCREW	1		NO. 8 X 1/4"
25	PT3937	WIRE	1		16 GAUGE
26	PT1219	CIRCUIT BREAKER	1	1975-1976	REPAIRS FOR PT1217 ONLY (SUB. PT3936)
	PT1218	SENSOR	1	1975-1976	REPAIRS FOR PT1217 ONLY (SUB. PT3936)
	TY4060	CONTROL	1	-1976	SUB. PT3936
	TY4587	CONTROL	1	-1976	SUB. PT3936
	PT1217	CONTROL	1	-1976	SUB. PT3936
	PT1433	CONTROL	1	-1979	SUB. PT3936
	PT3936	CONTROL	1		CONTROL

ELECTRICAL COMPONENTS  
(SERIAL NO. 405106- )

TYP2063



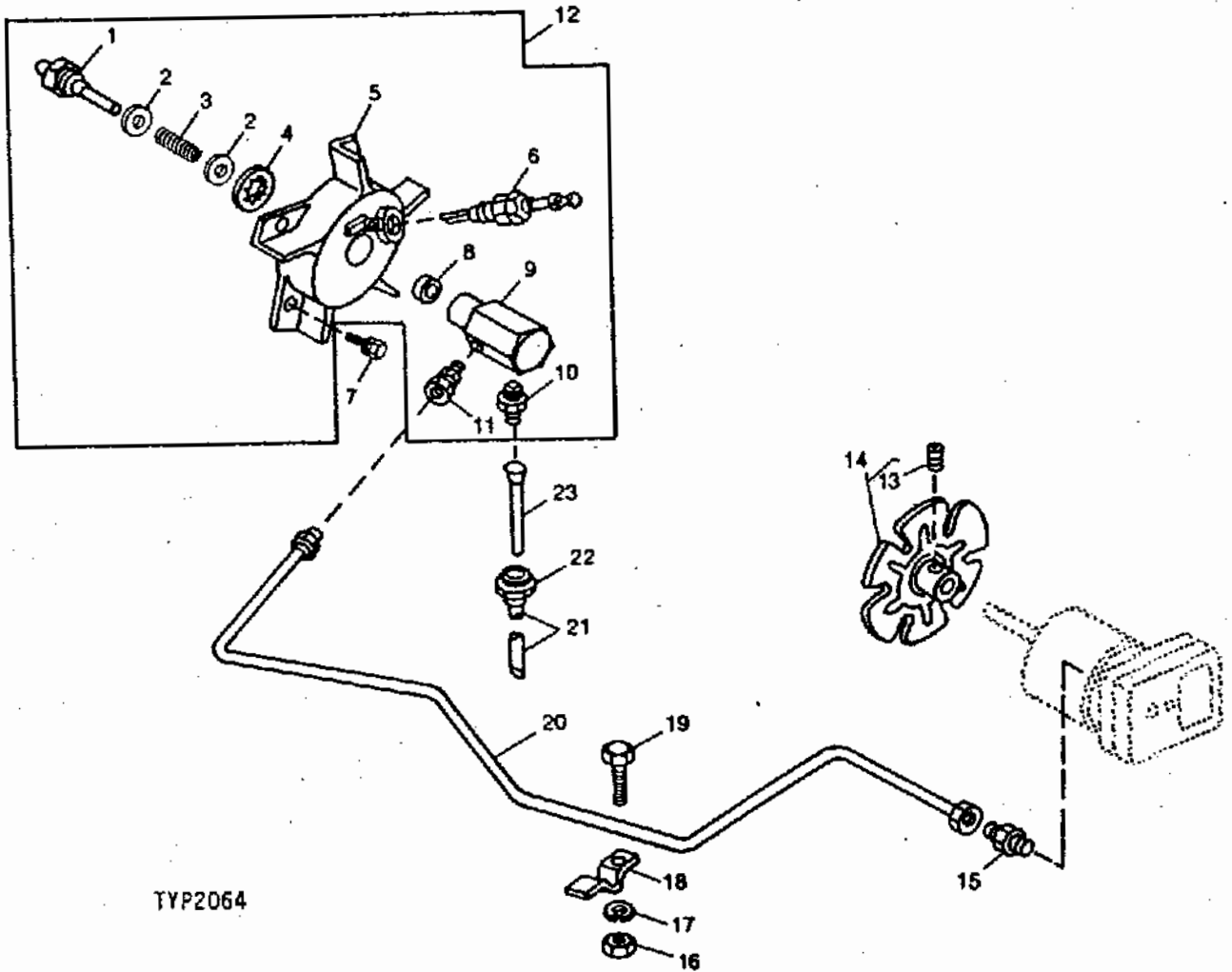
TYP2063

ELECTRICAL COMPONENTS - CONTINUED  
(SERIAL NO. 405106- )

KEY	PART NO.	PART NAME	QTY	SERIAL NO. OR YEAR	REMARKS
1	TY4039	BRACKET	1		
2	TY4084	PHOTOCELL	1		
3	PT8319	CAP SCREW	1		
4	PT8327	CONNECTOR	1		
5	21H1330	SCREW	1		1/4" X 1-1/2"
6	TY4054	CLAMP	1		
7	12H302	LOCK WASHER	2		1/4"
8	14H786	NUT	2		1/4"
9	PT1430	TRANSFORMER	1		
10	37H49	SCREW	1		
11	TY4050	BUSHING	1		
12	PT8318	POWER CORD	1		
13	TY4184	TIE BAND	1		
14	TY4166	RELAY	1		
15	TY4212	WIRE	1		
16	TY4165	BRACKET	1		
17	PT1216	CONNECTOR	1		
18	PT3936	CONTROL	1		
19	TY4053	CONNECTOR	1		

NOZZLE, HOUSING, AIRLINE AND FAN  
(SERIAL NO. -405105)

TYP2064



TYP2064

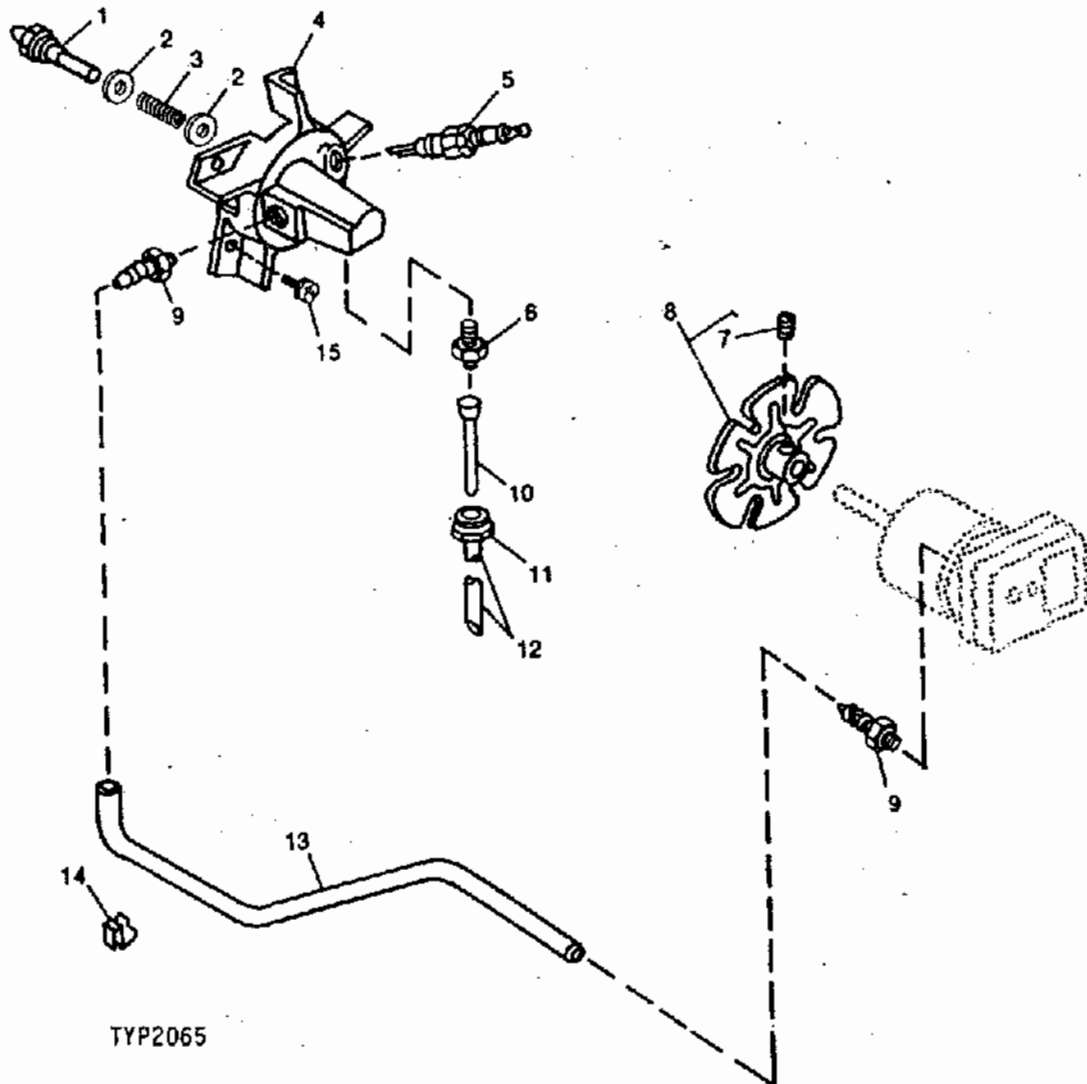
THIS PARTS LISTING IS CONTINUED

**NOZZLE, HOUSING, AIRLINE AND FAN -CONTINUED**  
 (SERIAL NO. -405015)

KEY	PART NO.	PART NAME	QTY	SERIAL NO. OR YEAR	REMARKS
1	TY4116	NOZZLE	1		
2	TY4043	WASHER	2		
3	TY4044	SPRING	1		
4	TY4041	RING	1		
5	TY4115	HOUSING	1		
6	TY4040	SPARK PLUG	1	-1979	SUB. TY4589
	TY4589	SPARK PLUG	1		
7	TY4033	SCREW	3	-1979	SUB. 37H49
	37H49	SCREW	3		NO. 10 X 1/2"
8	TY4045	SLEEVE	1		
9	TY4046	ADAPTER	1		
	TY4186	ADAPTER	1	-1979	
	TY4187	ADAPTER	1	-1979	
	TY4139	ADAPTER	1	-1979	
10	TY4047	CONNECTOR	1		
11	TY4048	CONNECTOR	1		
12	TY4173	HOUSING	1		
13	TY4176	SCREW	2	-1979	1/4" X 5/16" (SUB. 22H1009)
	22H1009	SET SCREW	2		1/4" X 5/16"
14	TY4178	FAN	1		
15	TY4048	CONNECTOR	1		
16	14H860	NUT	1		NO. 10
17	TY4169	LOCK WASHER	1	-1979	NO. 10 (SUB. 12H246)
	12H246	LOCK WASHER	1		NO. 10
18	TY4170	CLAMP	1		
19	TY4168	SCREW	1	-1979	NO. 10 (SUB. 21H1317)
	21H1317	SCREW	1		NO. 10 X 5/8"
20	TY4120	LINE	1		
21	TY4117	TUBE	1		
22	TY4034	NUT	1		
23	TY4035	FILTER	1		

NOZZLE, HOUSING, AIRLINE AND FAN  
(SERIAL NO. 405106- )

TYP2065



THIS PARTS LISTING IS CONTINUED  
SPACE HEATERS, PORTABLE - A50, A90, A150 AND A350 PC-1358 (24-OCT-83) LITHO IN U.S.A.

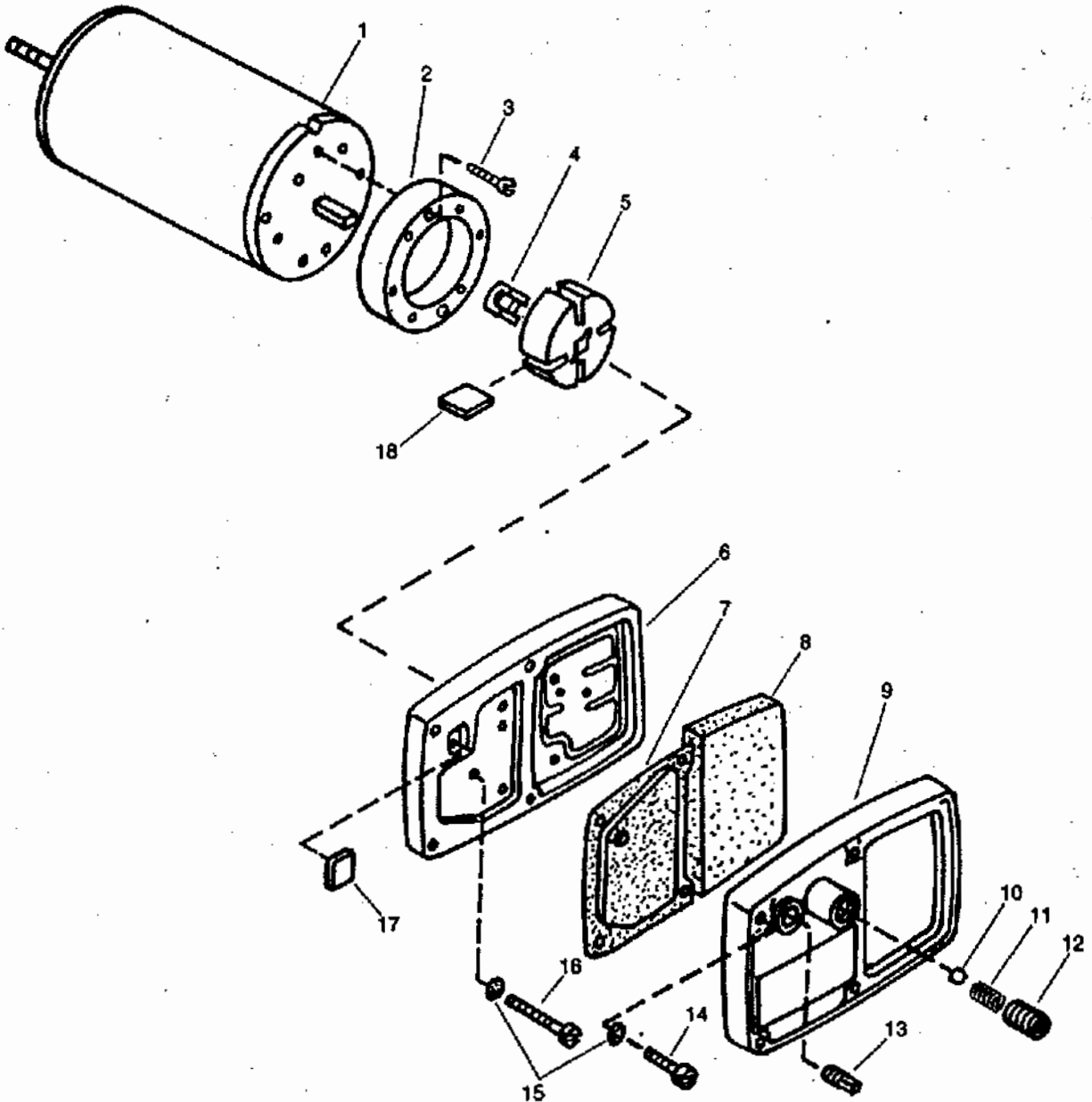
**NOZZLE, HOUSING, AIRLINE AND FAN - CONTINUED**  
**(SERIAL NO. 405106- )**

KEY	PART NO.	PART NAME	QTY	SERIAL NO. OR YEAR	REMARKS
1	TY4116	NOZZLE	1		
2	TY4043	WASHER	1		
3	TY4044	SPRING	1		
4	PT8360	HOUSING	1		
5	TY4589	SPARK PLUG	1		
6	TY4047	CONNECTOR	1		
7	22H1009	SET SCREW	2		
8	PT8332	FAN	1		
9	PT8357	FITTING	1		
10	TY4035	FILTER	1		
11	TY4034	NUT	1		
12	TY4117	TUBE	1		
13	PT8355	TUBE	1		
14	PT8358	HOLD-DOWN CLIP	2		
15	37H49	SCREW	4		NO. 10 X 1/2"



MOTOR AND PUMP

TYP190



TYP190

## MOTOR AND PUMP - CONTINUED

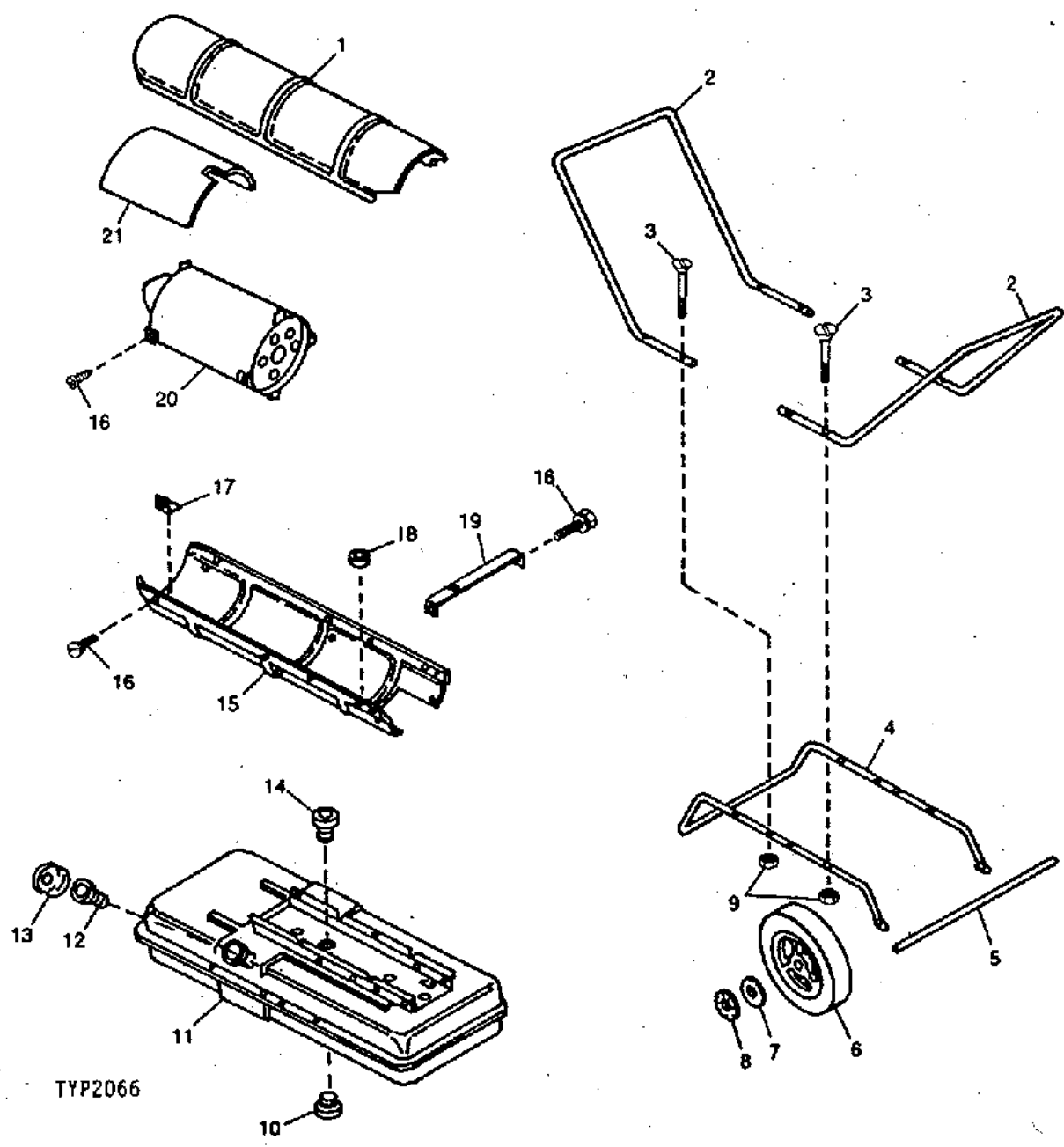
KEY	PART NO.	PART NAME	QTY	SERIAL NO. OR YEAR	REMARKS
1	TY4118	MOTOR	1	-1977	SUB. PT2971
	TY4590	MOTOR	1	-1979	SUB. PT2971
	PT2971	MOTOR	1		
2	TY4076	HOUSING	1		
3	TY4065	SCREW	2	-1979	(SUB. 21H982)
	21H982	SCREW	2		NO. 10 X 1/2"
4	TY4074	INSERT	1		
5	TY4075	ROTOR	1		
6	TY4068	COVER	1		
7	TY4066	FILTER ELEMENT	1		
8	TY4071	FILTER ELEMENT	1		
9	TY4069	COVER	1		
10	TY4078	BALL	1		
11	TY4079	SPRING	1		
12	TY4080	SCREW	1	-1976	SUB. PT1223
	PT1223	SCREW	1		
13	TY4067	PLUG	1		
14	TY4070	SCREW	4	-1979	SUB. 21H985
	21H985	SCREW	4	-405105	NO. 10 X 1"
	21H1312	CAP SCREW	4	405106-	NO. 10 X 1"
15	12H295	LOCK WASHER	10		NO. 10
16	TY4072	SCREW	6	-1979	(SUB. 21H1365)
	21H1365	SCREW	6		NO. 10 X 1-1/8"
17	TY4077	FILTER ELEMENT	1		
18	TY4073	BLADE	4		
..	TY4585	MOTOR	1	-1977	(NOT AVAILABLE FOR SERVICE)

## DECALS

KEY	PART NO.	PART NAME	QTY	SERIAL NO. OR YEAR	REMARKS
..	TY4191	DECAL	1	-1979	FOR FRONT OF SAFETY CONTROL (SUB. PT3907)
..	TY4196	DECAL	2	-1979	FOR REAR OF EACH SIDE (SUB. PT3907)
..	TY4197	DECAL	2	-1979	FOR REAR OF EACH SIDE FOLLOWING "JOHN DEERE" (SUB. PT3907)
..	TY4198	DECAL	1	-1979	FOR TOP REAR (SUB. PT3907)
..	TY4199	INSTRUCTIONS	1	-1979	FOR FUEL TANK (SUB. PT3907)
..	TY4189	DECAL	1	-1979	INSIDE UPPER SHELL (SUB. PT3907)
..	TY4204	DECAL	1	-1979	FOR FUEL TANK (SUB. PT3907)
..	TY4205	PLATE	2	-1979	FOR REAR OF FUEL TANK (NOT AVAILABLE FOR SERVICE)
..	PT3907	DECAL KIT	1	-405105	
..	PT8372	DECAL KIT	1	405106-	CONSISTS OF: LEAPING DEER CAUTION DECAL (2) "JOHN DEERE" DECALS (2) "A90" DECALS OPERATION/MAINTENANCE DECAL SPECIFICATIONS DECAL WARNING/FUELING DECAL WIRING DECAL

COVERS, COMBUSTION CHAMBER, FUEL TANK, HANDLES AND WHEELS  
(SERIAL NO. -405105)

TYP2066



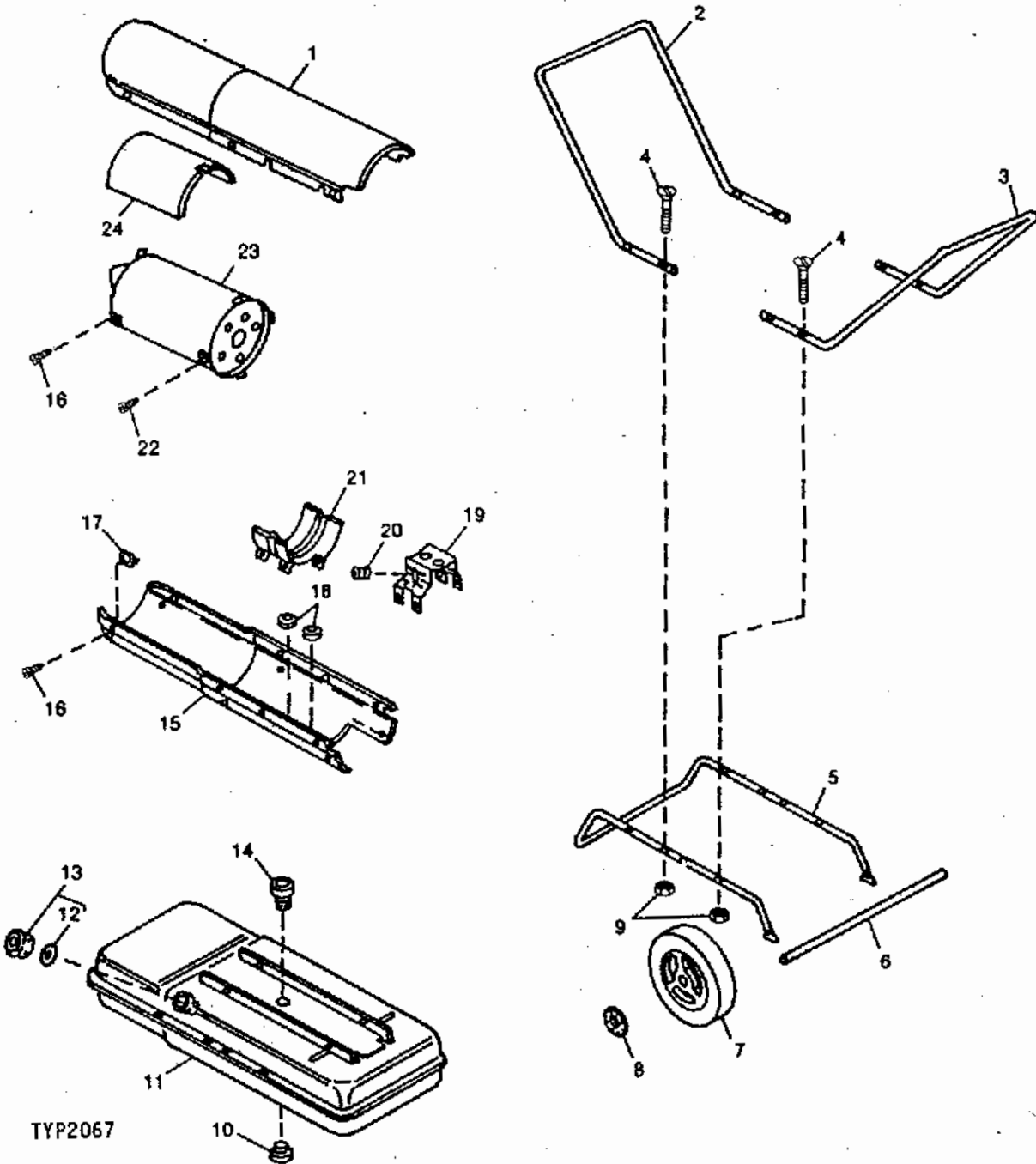
TYP2066

**COVERS, COMBUSTION CHAMBER, FUEL TANK, HANDLES AND WHEELS - CONTINUED**  
 (SERIAL NO. -405105)

KEY	PART NO.	PART NAME	QTY	SERIAL NO. OR YEAR	REMARKS
1	TY4134	COVER	1		
2	TY4163	HANDLE	2		
3	TY4082	SCREW	8	-1979	(SUB. 21H1383)
	21H1383	SCREW	8		NO. 10 X 2"
4	TY4160	FRAME	1		
5	TY4181	AXLE	1		
6	TY4162	WHEEL	2		
7	TY4062	WASHER	4	-1979	SUB. 24H1700
	24H1700	WASHER	4		15/32" X 1" X 0.134"
8	TY4063	NUT	2		
9	TY4057	NUT	8	-1979	SUB. 14H631
	14H631	NUT	8		NO. 10
10	TY4185	PLUG	1	-303901	
	PT1224	PLUG	1	303902-	A150
	TY4209	O-RING	1	-1974	SUB. TY4185
	TY4210	PLUG	1	-1974	SUB. TY4185
11	TY4130	FUEL TANK	1	-1974	(SUB. PT1227)
	PT1227	FUEL TANK	1		
12	TY4061	SCREEN	1		
13	TY4032	FILLER CAP	1		
14	TY4030	BUSHING	1		
15	TY4131	COVER	1		
16	TY4033	SCREW	5	-1979	NO. 10 X 1/2" (SUB. 37H49)
	37H49	SCREW	12		NO. 10 X 1/2"
17	TY4058	NUT	6		
18	TY4037	GROMMET	1		
19	TY4133	STRAP	1		
20	TY4135	CHAMBER	1		
21	TY4136	DEFLECTOR	1		

COVERS, COMBUSTION CHAMBER, FUEL TANK, HANDLES AND WHEELS  
(SERIAL NO. 405106- )

TYP2067



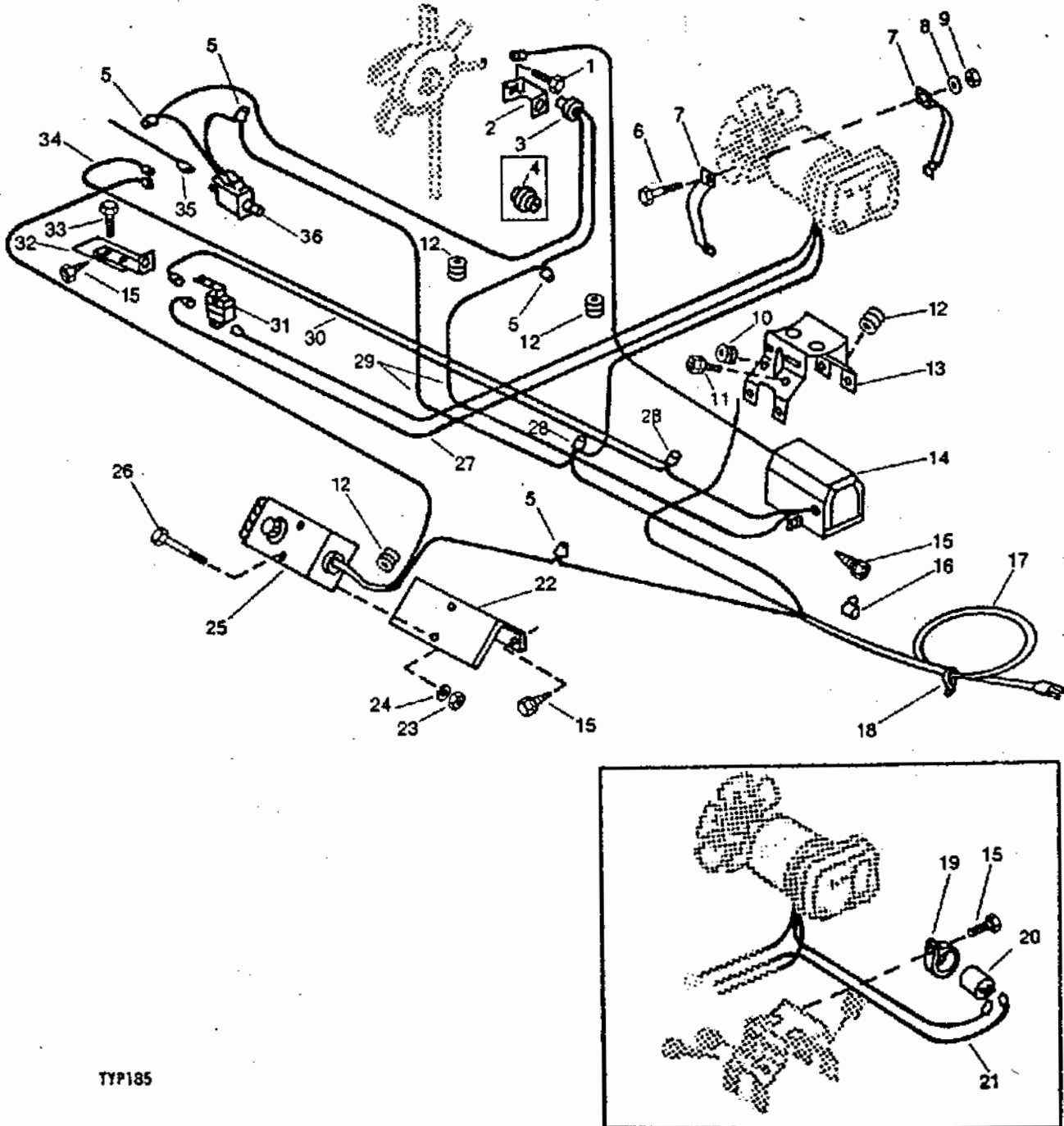
TYP2067

COVERS, COMBUSTION CHAMBER, FUEL TANK, HANDLES AND WHEELS -CONTINUED  
(SERIAL NO. 405108- )

KEY	PART NO.	PART NAME	QTY	SERIAL NO. OR YEAR	REMARKS
1	PT8316	HANDLE	1		
2	PT8369	HANDLE	1		
3	PT8367	HANDLE	1		
4	21H1100	SCREW	8		1/4" X 1"
5	PT8325	FRAME	1		
6	TY4161	AXLE	1		
7	TY4124	WHEEL	2		
8	TY4083	NUT	2		
9	TY4057	NUT	8		
10	PT1224	PLUG	1		
11	PT8361	FUEL TANK	1		
12	PT8393	GASKET	1		
13	PT8364	KIT	1		FUEL CAP
14	TY4030	BUSHING	1		
15	PT8317	COVER	1		
16	37H49	SCREW	6		NO. 10 X 1/2"
17	TY4058	NUT	1		
18	TY4036	GROMMET	2		
19	PT8329	BRACKET	1		
20	TY4036	GROMMET	1		
21	PT8324	BRACKET	1		
22	PT8320	SCREW	4		
23	TY4135	CHAMBER	1		
24	TY4136	DEFLECTOR	1		

ELECTRICAL COMPONENTS  
(SERIAL NO. -294000)  
(SERIAL NO. 294001-405105)

TYP185



TYP185

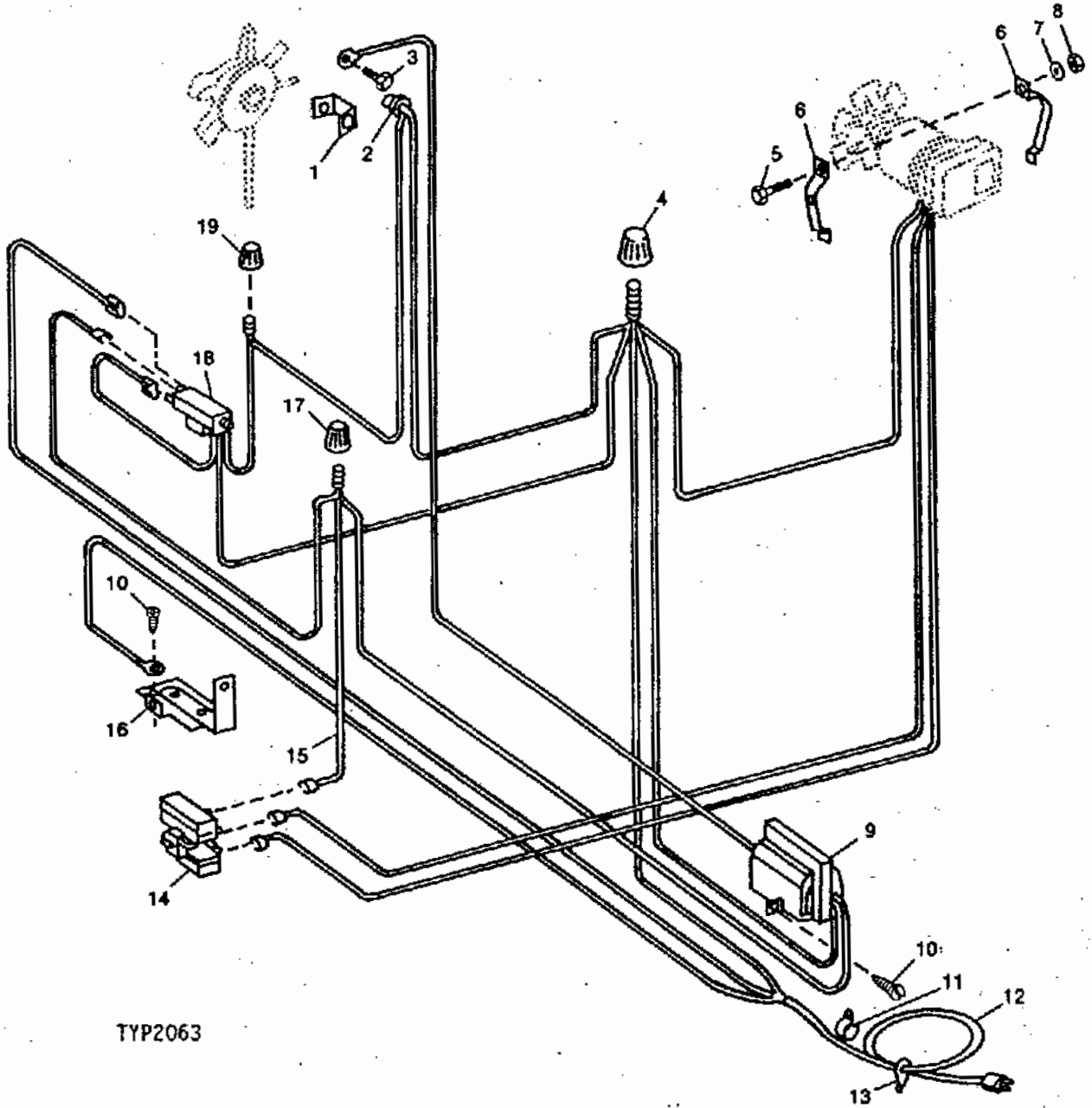


**ELECTRICAL COMPONENTS - CONTINUED**  
 (SERIAL NO. -294000)  
 (SERIAL NO. 294001-405105)

KEY	PART NO.	PART NAME	QTY	SERIAL NO. OR YEAR	REMARKS
1	TY4038	SCREW	2	-1979	SUB. 37H15
	37H15	SCREW	2		NO. 8 X 1/4"
2	TY4039	BRACKET	1		
3	TY4084	PHOTOCELL	1		
	TY4208	PHOTOCELL	1	-1963	SUB. TY4084
4	TY4592	APERTURE	1	-1972	USED ONLY WITH TY4080
5	TY4053	CONNECTOR	4	-294000	TY1418
	TY4053	CONNECTOR	3	294001-	TY8500
6	TY4055	SCREW	2	-1979	1/4" (SUB. 19H1791)
	19H1791	CAP SCREW	2		1/4" X 1-1/4"
7	TY4054	CLAMP	4		
8	TY4056	WASHER	2	-1979	1/4" (SUB. 12H302)
	12H302	LOCK WASHER	2		1/4"
9	14H786	NUT	2		1/4"
10	TY4037	GROMMET	1		
11	TY4159	SCREW	1	-1979	SUB. 37H42
	37H42	SCREW	1		NO. 10 X 3/8"
12	TY4036	GROMMET	4	-294000	TY1418
	TY4036	GROMMET	3	294001-	TY8500
13	TY4132	SUPPORT	1		
14	TY4064	TRANSFORMER	1	-1976	SUB. PT1430
	PT1430	TRANSFORMER	1		
15	TY4033	SCREW	10	-1979	SUB. 37H49
	37H49	SCREW	10		NO. 10 X 1/2"
	37H49	SCREW	9	-294000	NO. 10 X 1/2" (TY1418)
	37H49	SCREW	7	294001-	(TY8500)
16	TY4050	BUSHING	1		
17	TY4158	POWER CORD	1	-294000	355.6 MM (14") LONG (SUB. PT1222)
	PT1222	POWER CORD	1	294001-	2.44 M (8') LONG
18	TY4184	TIE BAND	1		
19	TY4155	CLAMP	1	18578-323300	
20	TY4154	CAPACITOR	1	18578-323300	
21	TY4157	WIRE	1	-1979	16 GAUGE (SUB. PT3305)
	PT3305	WIRE	1	18578-323300	18 GAUGE
22	TY4150	BRACKET	1	-294000	TY1418
23	TY4153	NUT	2	-1979	SUB. 14H1026
	14H1026	NUT	2	-294000	NO. 6, (TY1418)
24	12H321	WASHER	2	-294000	NO. 6, (TY1418)
25	TY4151	THERMOSTAT	1	-294000	TY1418
26	TY4152	SCREW	2	-1979	SUB. 21H1308
	21H1308	SCREW	2	-294000	NO. 6 X 3/8", (TY1418)
27	TY4157	WIRE	1	-1979	16 GAUGE (SUB. PT3305)
	PT3305	WIRE	1	18578-323300	18 GAUGE
28	TY4059	CONNECTOR	2	-1976	SUB. PT1216
	PT1216	CONNECTOR	2		
29	TY4213	WIRE	1		
30	TY4184	WIRE	1	-1979	16 GAUGE (SUB. PT3304)
	PT3304	WIRE	1		18 GAUGE
31	TY4166	RELAY	1		
32	TY4165	BRACKET	1		
33	TY4083	SCREW	2	-1979	SUB. 21H1292
	21H1292	SCREW	2		NO. 8 X 1/4"
34	TY4167	WIRE	1		SUB. PT3306
	TY4588	WIRE	1	-1979	16 GAUGE (SUB. PT3306)
	PT3306	WIRE	1		18 GAUGE
35	PT3937	WIRE	1		16 GAUGE
36	PT1219	CIRCUIT BREAKER	1	1975-1976	REPAIRS FOR PT1217 ONLY (SUB. PT3936)
	PT1218	SENSOR	1	1975-1976	REPAIRS FOR PT1217 ONLY (SUB. PT3936)
	TY4060	CONTROL	1	-1976	SUB. PT3936
	TY4587	CONTROL	1	-1978	SUB. PT3936
	PT1217	CONTROL	1	-1976	SUB. PT3936
	PT1433	CONTROL	1	-1979	SUB. PT3936
	PT3936	CONTROL	1		CONTROL

ELECTRICAL COMPONENTS  
(SERIAL NO. 405106- )

TYP2063



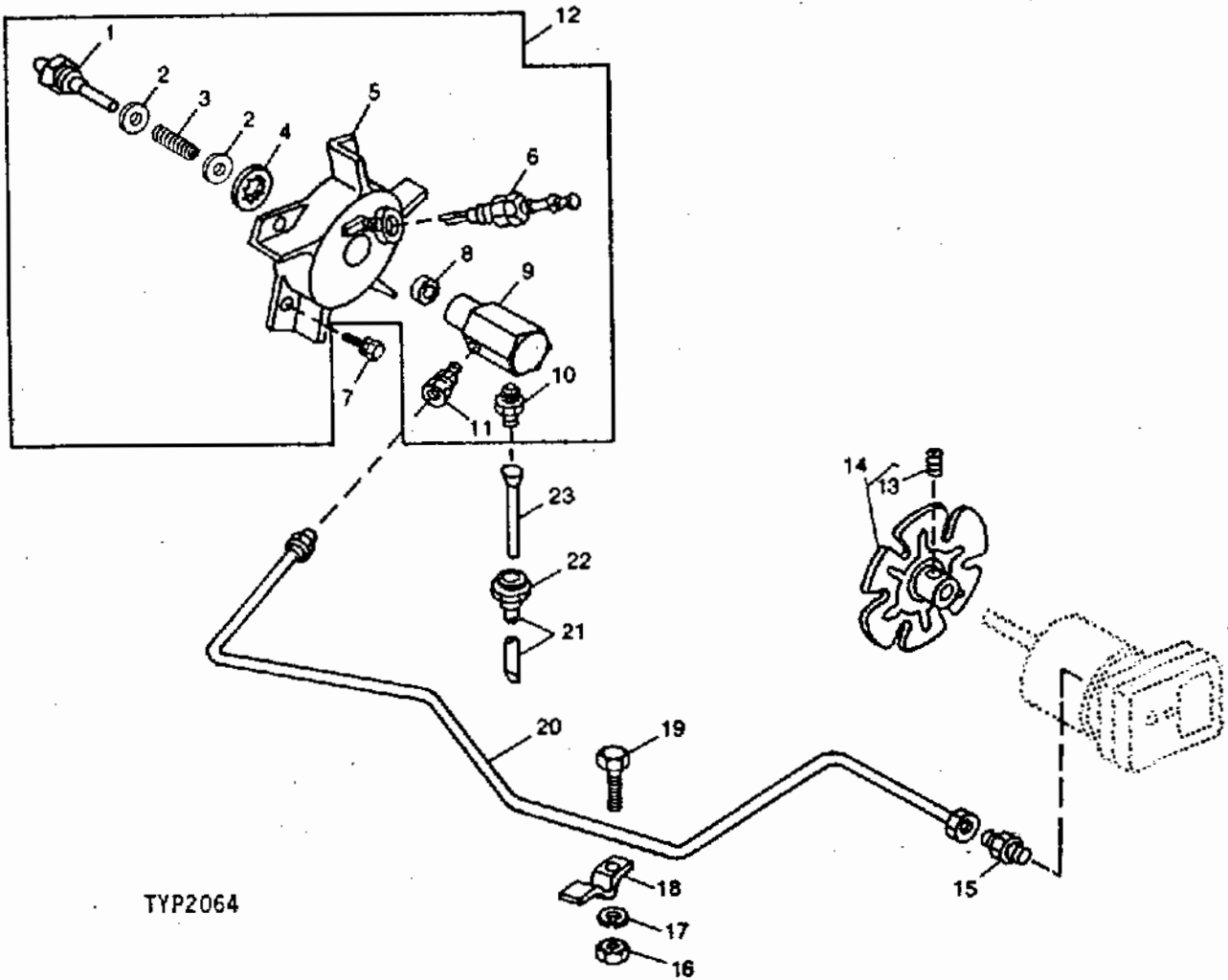
TYP2063

ELECTRICAL COMPONENTS - CONTINUED  
(SERIAL NO. 405106- )

KEY	PART NO.	PART NAME	QTY	SERIAL NO. OR YEAR	REMARKS
1	TY4039	BRACKET	1		
2	TY4084	PHOTOCELL	1		
3	PT8319	CAP SCREW	1		
4	PT8327	CONNECTOR	1		
5	21H1330	SCREW	1		1/4" X 1-1/2"
6	TY4054	CLAMP	1		
7	12H302	LOCK WASHER	2		1/4"
8	14H786	NUT	2		1/4"
9	PT1430	TRANSFORMER	1		
10	37H49	SCREW	1		
11	TY4050	BUSHING	1		
12	PT8318	POWER CORD	1		
13	TY4184	TIE BAND	1		
14	TY4166	RELAY	1		
15	TY4212	WIRE	1		
16	TY4165	BRACKET	1		
17	PT1216	CONNECTOR	1		
18	PT3936	CONTROL	1		
19	TY4053	CONNECTOR	1		

NOZZLE, HOUSING, AIRLINE AND FAN  
(SERIAL NO. -405105)

TYP2064



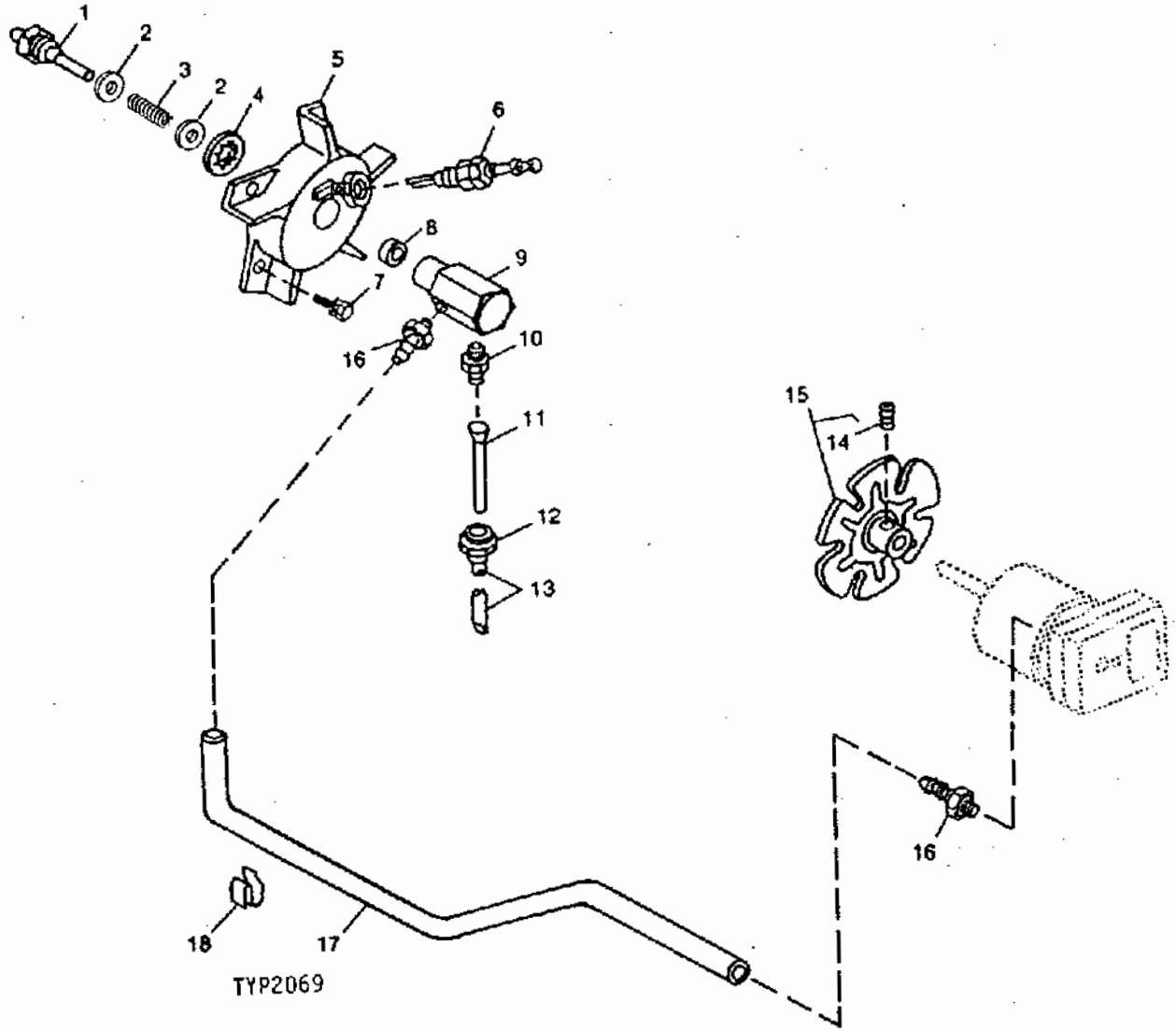
TYP2064

**NOZZLE, HOUSING, AIRLINE AND FAN -CONTINUED**  
**(SERIAL NO. -405105)**

KEY	PART NO.	PART NAME	QTY	SERIAL NO. OR YEAR	REMARKS
1	TY4140	NOZZLE	1		
2	TY4043	WASHER	2		
3	TY4044	SPRING	1		
4	TY4041	RING	1		
5	TY4138	HOUSING	1		
6	TY4040	SPARK PLUG	1	-1979	SUB. TY4589
	TY4589	SPARK PLUG	1		
7	TY4033	SCREW	3	-1979	SUB. 37H49
	37H49	SCREW	3		NO. 10 X 1/2"
8	TY4045	SLEEVE	1		
9	TY4046	ADAPTER	1		
	TY4139	ADAPTER	1	-1979	
10	TY4047	CONNECTOR	1		
11	TY4048	CONNECTOR	1		
12	TY4137	HOUSING	1		
13	TY4176	SCREW	2	-1979	1/4" X 5/16" (SUB. 22H1009)
	22H1009	SET SCREW	2		1/4" X 5/16"
14	TY4148	FAN	1		
15	TY4048	CONNECTOR	1		
16	14H860	NUT	1		NO. 10
17	TY4169	LOCK WASHER	1		NO. 10 (SUB. 12H248)
	12H248	LOCK WASHER	1		NO. 10
18	TY4170	CLAMP	1		
19	TY4168	SCREW	1	-1979	NO. 10 (SUB. 21H1317)
	21H1317	SCREW	1		NO. 10 X 5/8"
20	TY4149	LINE	1		
21	TY4141	TUBE	1		
22	TY4034	NUT	1		
23	TY4035	FILTER	1		

NOZZLE, HOUSING, AIRLINE AND FAN  
(SERIAL NO. 405106- )

TYP2089



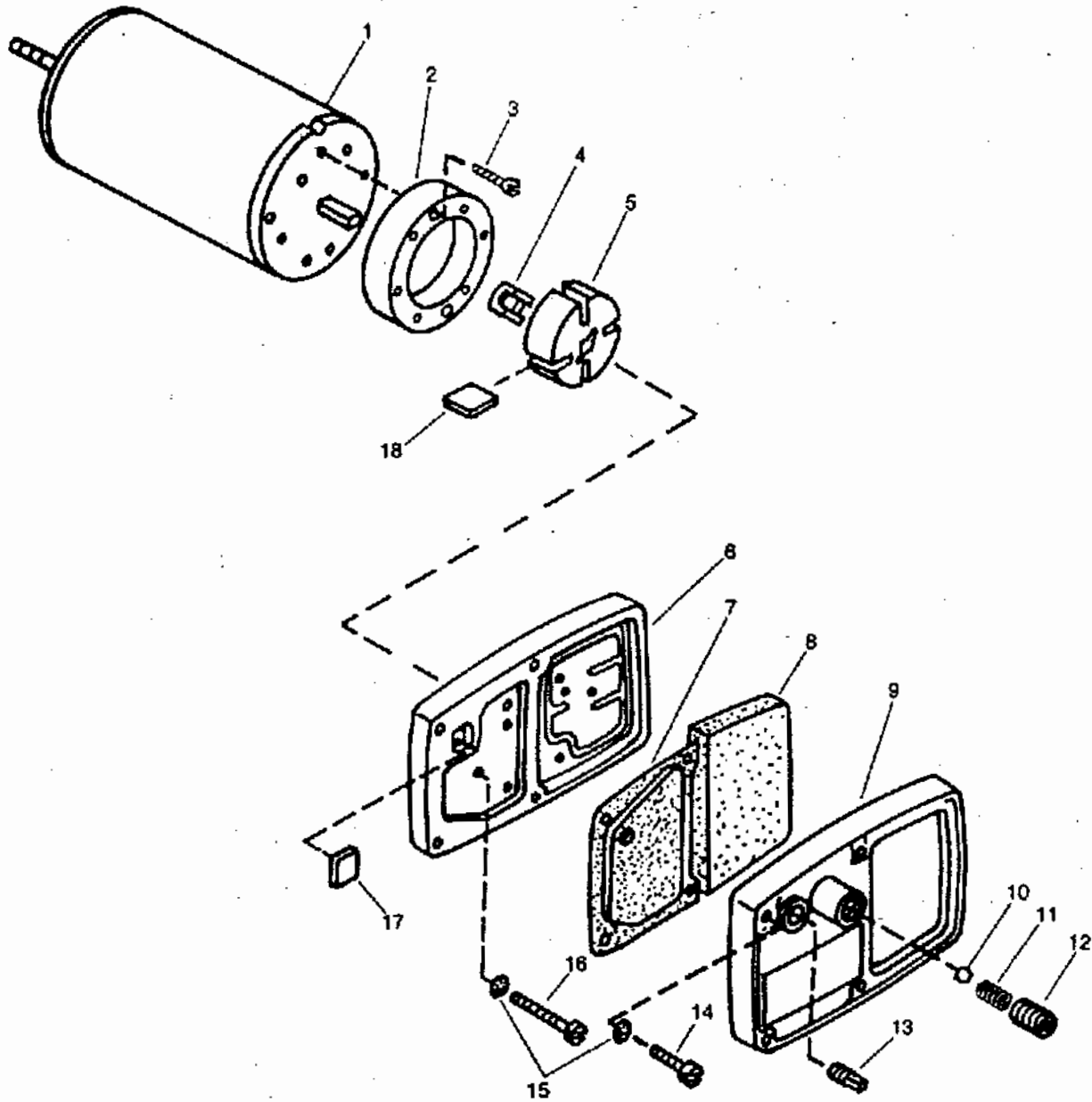
TYP2069

**NOZZLE, HOUSING, AIRLINE AND FAN - CONTINUED**  
 (SERIAL NO. 405106- )

KEY	PART NO.	PART NAME	QTY	SERIAL NO. OR YEAR	REMARKS
1	TY4140	NOZZLE	1		
2	TY4043	WASHER	2		
3	TY4044	SPRING	1		
4	TY4041	RING	1		
5	TY4138	HOUSING	1		
6	TY4589	SPARK PLUG	1		
7	37H49	SCREW	4		
8	TY4045	SLEEVE	1		
9	TY4046	ADAPTER	1		
10	TY4047	CONNECTOR	1		
11	TY4035	FILTER	1		
12	TY4034	NUT	1		
13	TY4141	TUBE	1		
14	22H1009	SET SCREW	1		1/4" X 5/16"
15	PT8331	FAN	1		
16	PT8357	FITTING	2		
17	PT8356	TUBE	1		
18	PT8358	HOLD-DOWN CLIP	2		

MOTOR AND PUMP

TYP190



TYP190



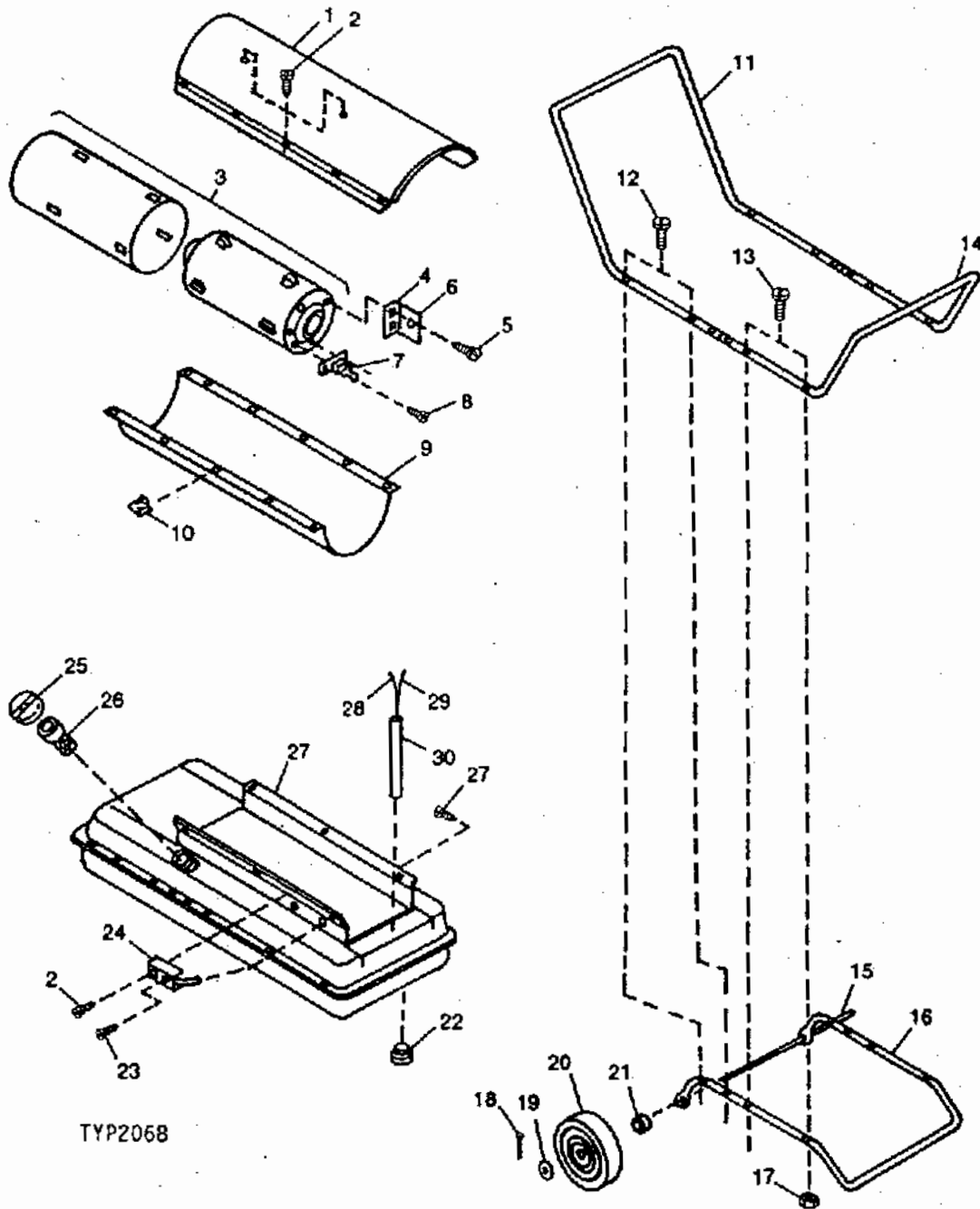
## MOTOR AND PUMP - CONTINUED

KEY	PART NO.	PART NAME	QTY	SERIAL NO.	REMARKS
				OR YEAR	
1	TY4143	MOTOR	1	-1979	(SUB. TY5032)
	TY4591	MOTOR	1	-1979	(SUB. TY5032)
	PT3496	MOTOR	1	17352-18577	
	TY5032	MOTOR	1	18578-323300	
	PT3496	MOTOR	1	323301-	
2	TY4147	HOUSING	1		
3	TY4065	SCREW	2	-1979	(SUB. 21H982)
	21H982	SCREW	2		NO. 10 X 1/2"
4	TY4074	INSERT	1		
5	TY4146	ROTOR	1		
6	TY4068	COVER	1		
7	TY4066	FILTER ELEMENT	1		
8	TY4071	FILTER ELEMENT	1		
9	TY4069	COVER	1		
10	TY4078	BALL	1		
11	TY4079	SPRING	1		
12	TY4080	SCREW	1	-1978	SUB. PT1223
	PT1223	SCREW	1		
13	TY4067	PLUG	1		
14	TY4070	SCREW	4	-1979	SUB. 21H985
	21H985	SCREW	4		NO. 10 X 1"
15	12H295	LOCK WASHER	10		NO. 10
16	TY4145	SCREW	6	-1979	(SUB. 21H1136)
	21H1136	SCREW	6		NO. 10 X 1-1/8", (A150)
17	TY4077	FILTER ELEMENT	1		
18	TY4190	BLADE	4		
	TY4142	MOTOR	1		(SUB. TY4586)
	TY4586	MOTOR	1		(NOT AVAILABLE FOR SERVICE)

KEY	PART NO.	PART NAME	QTY	DECALS		REMARKS
				SERIAL NO.	OR YEAR	
..	TY4200	DECAL	2	-1978		FOR REAR OF EACH SIDE (SUB. PT3908)
..	TY4201	DECAL	2	-1979		FOR REAR OF EACH SIDE FOLLOWING "JOHN DEERE" (SUB. PT3908)
..	TY4202	DECAL	1	-1978		FOR TOP REAR (SUB. PT3908)
..	TY4203	INSTRUCTIONS	1	-1979		FOR FUEL TANK (SUB. PT3908)
..	TY4171	DECAL	1	-1979		INSIDE UPPER SHELL (SUB. PT3908)
..	TY4204	DECAL	1	-1979		FOR FUEL TANK (SUB. PT3908)
..	TY4205	PLATE	2	-1979		FOR REAR OF FUEL TANK (NOT AVAILABLE FOR SERVICE)
..	PT3908	DECAL KIT	1	-405105		(INCLUDES WIRING DIAGRAM INSTRUCTIONS)
..	PT8372	DECAL KIT	1	405106		CONSISTS OF: LEAPING DEER CAUTION DECAL (2) "JOHN DEERE" DECALS (2) "A150" DECALS OPERATION/MAINTENANCE DECAL SPECIFICATIONS DECAL WARNING/FUELING DECAL WIRING DECAL

COVERS, COMBUSTION CHAMBER, FUEL TANK, HANDLES AND WHEELS

TYP2068



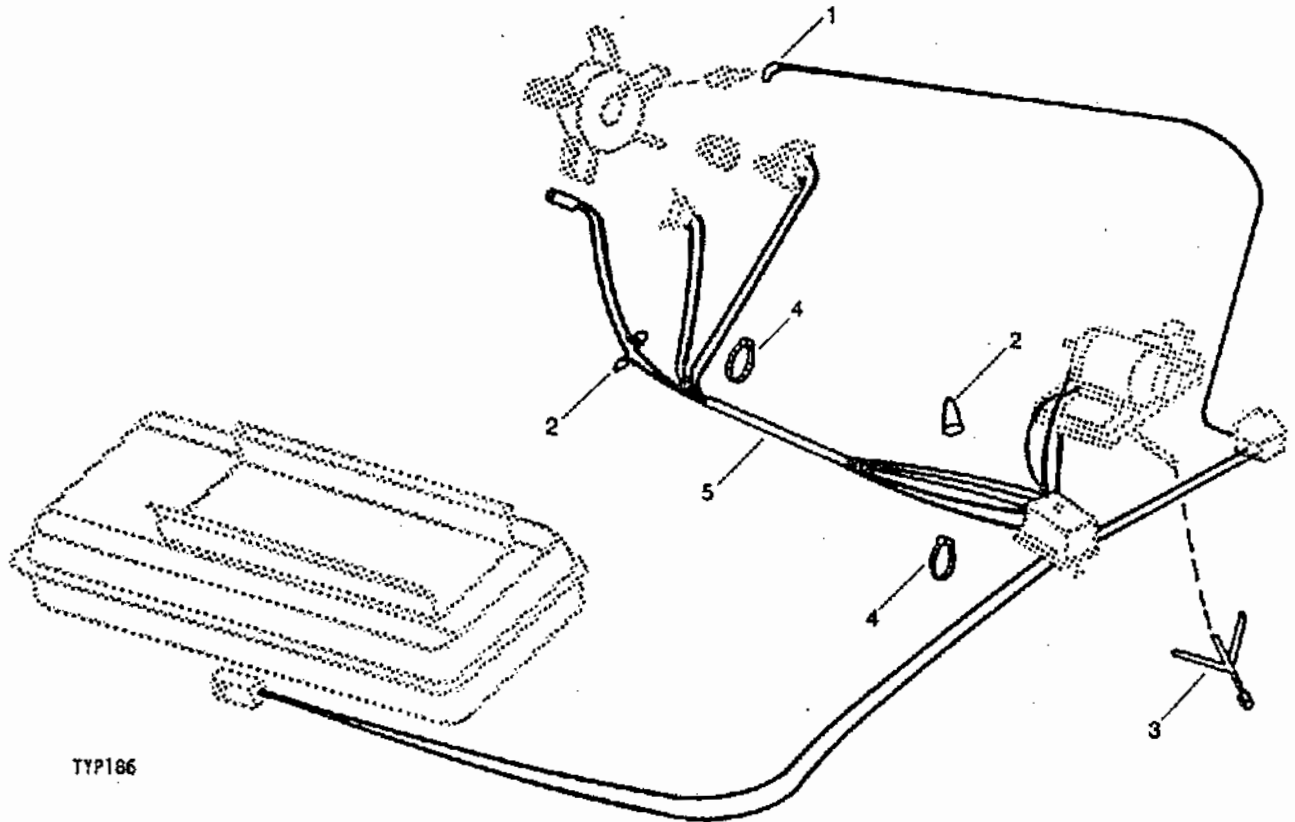
TYP2068

## COVERS, COMBUSTION CHAMBER, FUEL TANK, HANDLES AND WHEELS - CONTINUED

KEY	PART NO.	PART NAME	QTY	SERIAL NO. OR YEAR	REMARKS
1	PT3359	COVER	1		
2	37H49	SCREW	20		NO. 10 X 1/2"
3	PT3395	KIT	1		COMBUSTION CHAMBER
4	PT3373	DEFLECTOR	5		
5	37H94	SCREW	10		NO. 12 X 1/2"
6	PT3375	BUSHING	3		
7	PT3357	SWITCH	1		
8	37H42	SCREW	2		NO. 10 X 3/8"
9	PT3360	COVER	1		
10	TY4058	NUT	10		
11	PT3362	HANDLE	1		
12	19H1898	CAP SCREW	4		1/4" X 1-1/4"
13	19H2333	CAP SCREW	6		1/4" X 2-1/4"
14	PT3361	HANDLE	1		
15	PT3352	AXLE	1		
16	PT3363	FRAME	1		
17	N10217	LOCK NUT	10		1/4"
18	11H240	COTTER PIN	2		5/32" X 1-1/4"
19	24H1360	WASHER	2		5/8" X 1-1/2" X 0.105"
20	PT3388	WHEEL	2		
21	28H1885	BUSHING	2		3/4" LD. X 1/2" LONG
22	PT1224	PLUG	1		
23	21H1309	SCREW	1		NO. 6 X 1/4"
24	PT3355	THERMOSTAT	1		
25	TY4061	SCREEN	1		
26	TY4032	FILLER CAP	1		
27	PT3368	FUEL TANK	1		
28	PT3396	FUEL LINE	1		254 MM (10") LONG, (RETURN)
29	PT3397	FUEL LINE	1		508 MM (20") (INPUT)
30	PT3382	SCREEN	1		INCLUDES BUSHING

ELECTRICAL WIRING  
(SERIAL NUMBER 001001- )

TYP186



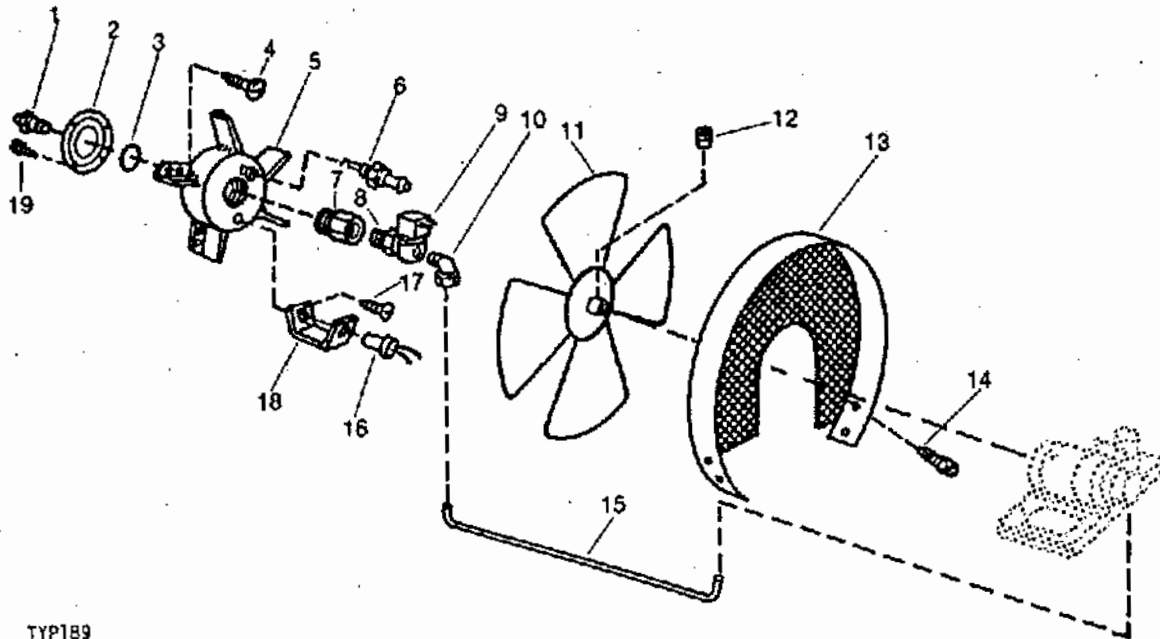
TYP186

ELECTRICAL WIRING - CONTINUED  
(SERIAL NUMBER 001001- )

KEY	PART NO.	PART NAME	QTY	SERIAL NO. OR YEAR	REMARKS
1	PT3358	BOOT	1		
2	PT1216	CONNECTOR	1		3/32" I.D. X 11/32" O.D. X 37/64" LENGTH
	TY4053	CONNECTOR	4		3/16" I.D. X 7/16 O.D. X 7/8" LENGTH
3	PT1222	POWER CORD	1		
4	TY4184	TIE BAND	1		
5	PT3390	WIRING HARNESS	1		

BURNER HOUSING, NOZZLE AND FAN  
(SERIAL NUMBER 001001- )

TYP189

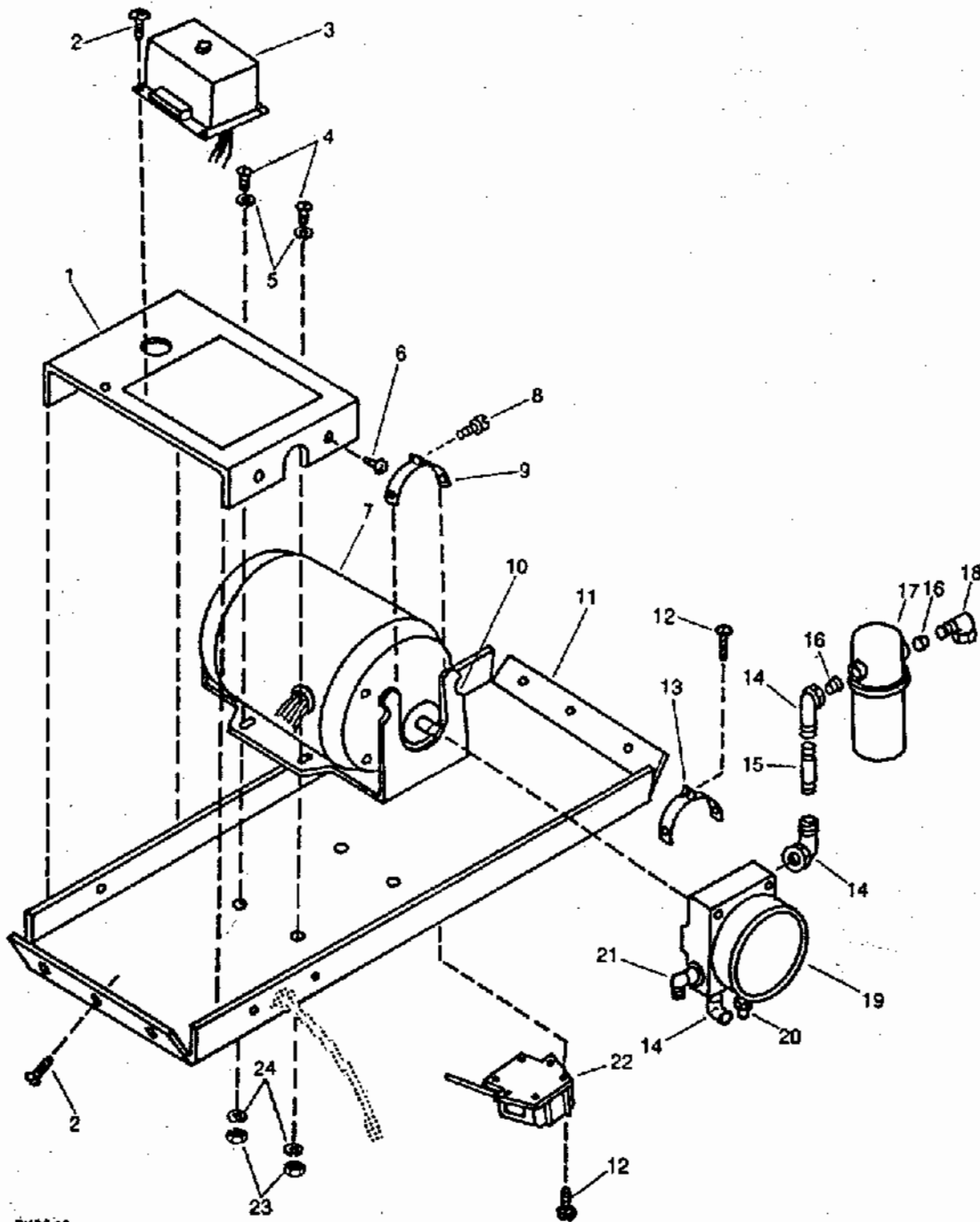


TYP189

KEY	PART NO.	PART NAME	QTY	SERIAL NO. OR YEAR	REMARKS
1	PT3376	NOZZLE	1		
2	PT3392	ORIFICE	1		
3	TY4041	RING	1		
4	37H94	SCREW	5		NO. 12 X 1/2"
5	PT3351	HOUSING	1		
6	TY4589	SPARK PLUG	1		
7	PT3369	ADAPTER	1		
8	29H483	THREADED NIPPLE	1		1/8" X 1/8"
9	PT3367	SOLENOID VALVE	1		
10	PT3386	ELBOW	1		
11	PT3381	FAN	1		
12	22H781	SET SCREW	1		5/16" X 5/8"
13	PT3374	GUARD	1		
14	37H49	SCREW	4		NO. 10 X 1/2"
15	PT3384	FUEL LINE	1		76.2 CM (30")
16	TY4084	PHOTOCELL	1		
17	21H1309	SCREW	2		NO. 6 X 1/4"
18	PT3387	BRACKET	1		
19	PT3350	SCREW	4		NO. 6 X 1/4"

MOTOR AND PUMP  
(SERIAL NUMBER 001001- )

TYP191



TYP191



MOTOR AND PUMP - CONTINUED  
(SERIAL NUMBER 001001- )

KEY	PART NO.	PART NAME	QTY	SERIAL NO. OR YEAR	REMARKS
1	PT3370	COVER	1		
2	37H80	SCREW	2		NO. 10 X 1/2"
3	TY4289	CONTROL	1		
4	37H29	SCREW	4		5/16" X 5/8"
5	24H1136	WASHER	4		11/32" X 11/16" X 0.060"
6	37H42	SCREW	4		NO. 10 X 3/8"
7	PT3364	MOTOR	1		
8	21H985	SCREW	2		NO. 10 X 1"
	14H778	NUT	2		NO. 10
9	PT3909	CLAMP	2		INCLUDES NO. 10 X 1" SCREW AND NUT
10	PT3910	BASE	1		
11	PT3371	SUPPORT	1		
12	21H1394	SCREW	3		NO. 10 X 1-5/8"
13	PT3380	CLAMP	1		
14	P47478	ELBOW	2		1/4", 90° STREET
15	PT3391	THREADED NIPPLE	1		2"
16	PT3353	BUSHING	2		
17	PT3393	FUEL FILTER	1		
	PT3394	FILTER ELEMENT	1		
18	PT3378	ELBOW	1		
19	PT3365	FUEL PUMP	1		
20	PT3377	UNION FITTING	1		1/4"
21	PT3386	ELBOW	1		
22	PT3398	TRANSFORMER	1		
23	14H785	NUT	4		5/16"
24	12H303	LOCK WASHER	4		5/16"