

GAS RESIDENTIAL HEATER

Illustrated Parts List

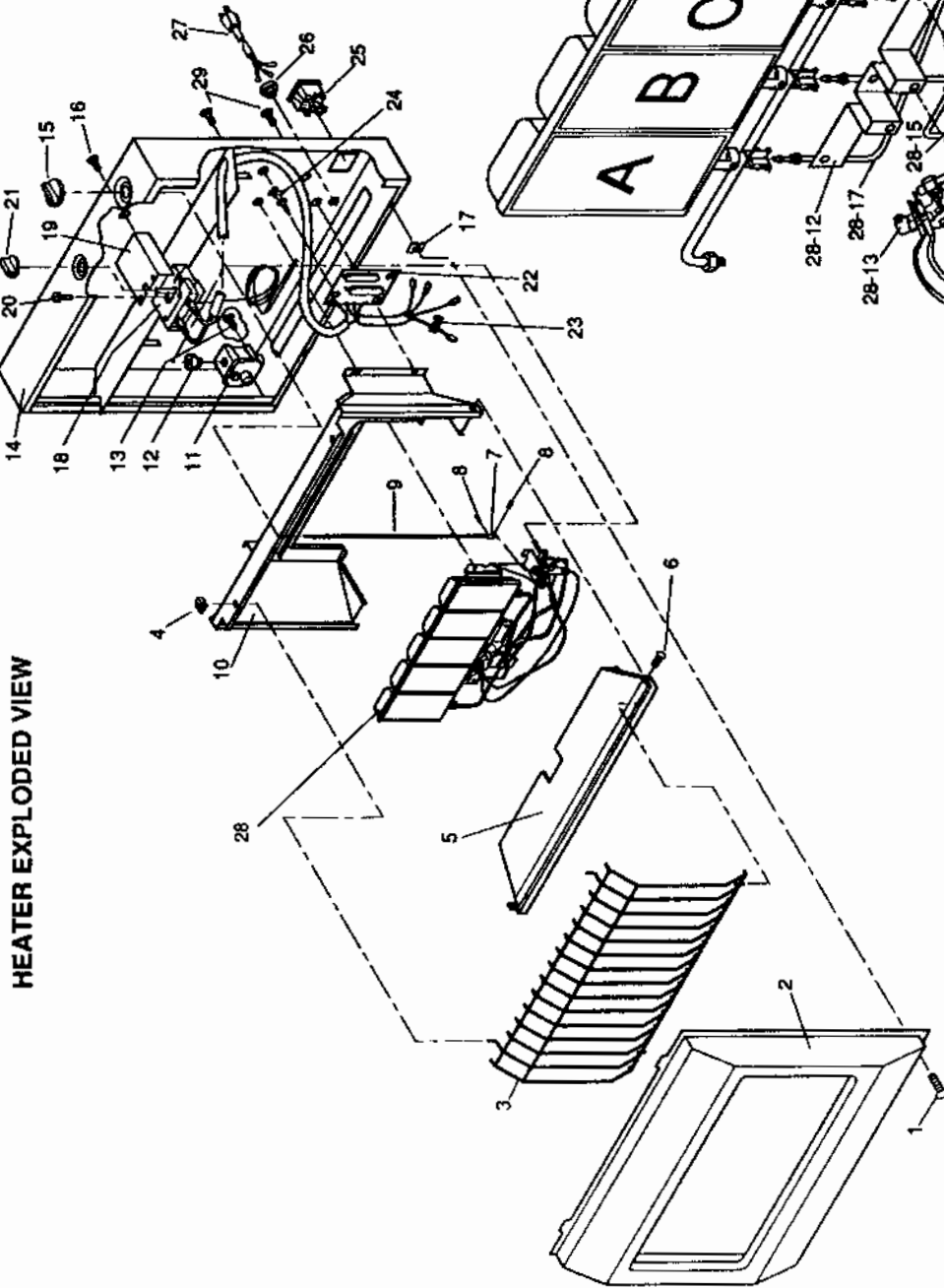
IMPORTANT: Do not use key numbers when ordering service parts. Always order components by part number and description. Include model and serial numbers.

KEY NO.	PART NUMBER	DESCRIPTION	QTY.	KEY NO.	PART NUMBER	DESCRIPTION	QTY.
1	098304-01	Screw, #10 x 3/8"	2	28-13	099068-01	ODS/Pilot Assembly	1
2	098742-02	Front Panel	1	28-14	098596-01	Screw, Metric, M4	7
3	098460-02	Grill Guard Assembly	1	28-15	098703-01	Tubing-Tee Fitting to Plaque B	1
4	098342-01	Clip-Grill Guard	2	28-16	098704-01	Tubing-Manifold to Plaque D	1
5	098198-02	Apron	1	28-17	098705-01	Tubing-Manifold to Plaque A	1
6	M11084-37	Screw, #8 x 1/4"	2	28-18	098706-01	Tubing-Manifold to Plaque E	1
7	098262-01	Rod Coupling	1	28-19	098711-01	Tee Fitting	2
8	098325-01	Roll Pin, .09 x 3/8"	2	28-20	098707-01	Tubing-Tee Fitting to Plaque C	1
9	098261-01	Control Rod	1	28-21	098708-01	Manifold	1
10	098457-02	Reflector Assembly	1	28-22	097803-01	Solenoid Valve	1
11	098924-03	Regulator Kit	1	28-23	098654-01	Male Connector	1
12	098473-01	1/2 NPT Male Connector	1	28-24	098593-01	Thermocouple	1
13	098303-01	Screw, #6 x 1/4"	4	28-25	098594-01	Ignitor Electrode	1
14	098698-01	Cabinet Assembly	1	29	M11084-26	Screw, #10 x 3/8"	7
15	098324-01	Control Knob	1	PARTS AVAILABLE - NOT SHOWN			
16	M11084-38	Screw, #8 x 3/8"	2		098466-01	Operating Instruction Label	
17	M11271-8	Fastener ("U" Nut)	2		098305-02	Control Position Label	
18	098656-01	Thermostat	1	ACCESSORIES			
19	098658-01	Thermostat Bracket	1		GA2100A	Fan Kit	
20	M12461-1	Screw, #6 x 1/4"	2		GA4010	Floor Mounting Stand	
21	098657-01	Thermostat Knob	1		GA5000	Baso Meter	
22	098739-01	Circuit Board Assembly	1		GA5010	Manual Shutoff Valve with 1/8" NPT Tap	
23	098870-01	Splice Connector	2	<p style="text-align: center;">WIRING DIAGRAM</p>			
24	M51122-01	Circuit Board Support	3				
25	098788-01	Receptacle Outlet	1				
26	M11143-1	Strain Relief Bushing	1				
27	098789-01	Power Cord Assembly	1				
28	See Detail	Burner Assembly	1				
28-1	098567-01	Burner	1				
28-2	098508-01	Valve Retainer Nut	1				
28-3	098570-01	Injector (includes washer)	5				
28-4	098571-01	Injector Holder	5				
28-5	098699-01	Tubing-Valve to Solenoid	1				
28-6	098700-01	Tubing-Valve to B & C Tee Fitting	1				
28-7	098582-02	Pressure Tap Fitting	1				
28-8	098701-01	Tubing-Valve to Manifold	1				
28-9	098932-01	Control Valve	1				
28-10	098591-01	Inlet Tubing	1				
28-11	099076-01	Pilot Tubing Kit	1				
28-12	098592-01	Pilot Support Bracket	1				

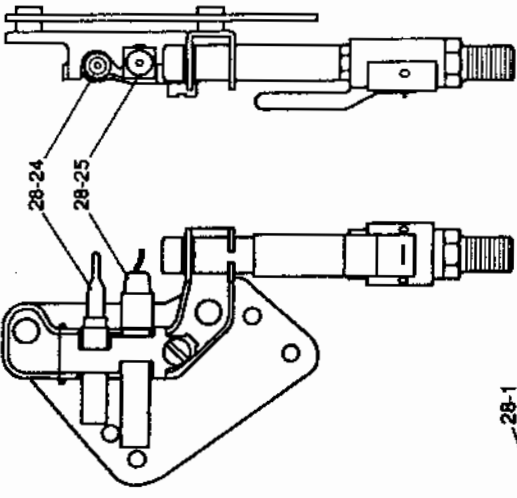
Replace any electrical wire on this heater that becomes damaged. Replace with a plastic insulated wire rated at 105° C.

098883-01
REV. B
01/90

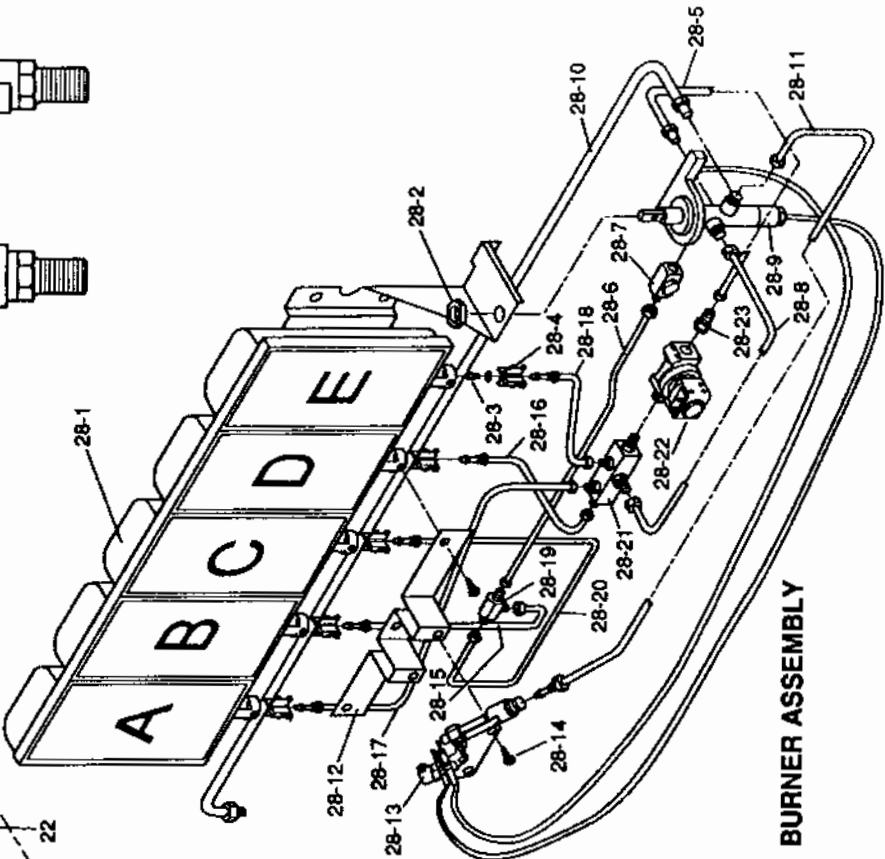
HEATER EXPLODED VIEW



ODS/PILOT ASSEMBLY



BURNER ASSEMBLY



VP2600T