

# GA3450TA THERMOSTAT BLOWER ACCESSORY INSTALLATION INSTRUCTIONS

## For use on CGCF and VMH26 Series Compact Fireplaces

**⚠ WARNING:** Fan accessory must be grounded. Fan comes with a three-prong, grounding plug as shown in Figure 1. The plug is your protection against electrical shock. Plug it into a standard, three-hole, grounded, outlet. If cord needs replacing, use only a cord with a three-prong, grounding plug.

**NOTICE:** Cord length from switch plate assembly to plug is six feet. Make sure grounded outlet is an appropriate distance from unit.

**⚠ WARNING:** Failure to connect all wires as indicated may cause electrical shock or personal injury.

**⚠ CAUTION:** Verify proper operation after servicing.

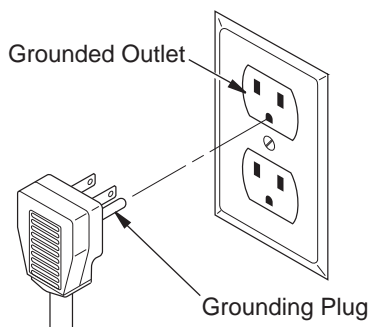


Figure 1 - Grounding Plug

### REMOVING UPPER LOUVER ASSEMBLY

To install blower accessory, you must first remove the upper louver assembly.

1. Remove 4 brass-plated screws from louver assembly (see Figure 2). Save these screws.
2. Pull louver assembly straight out from the cabinet. Be careful not to scratch the paint. Set louver assembly and screws aside.

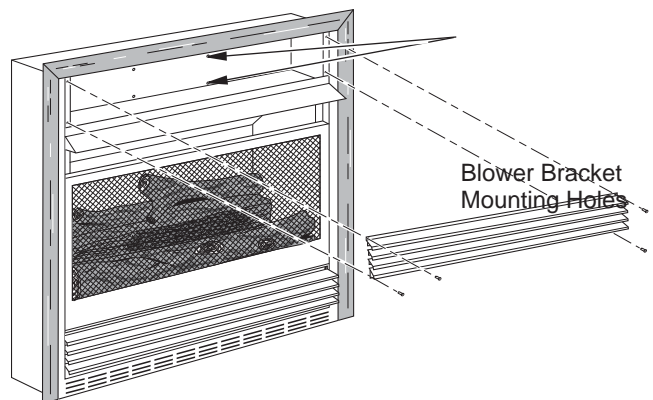


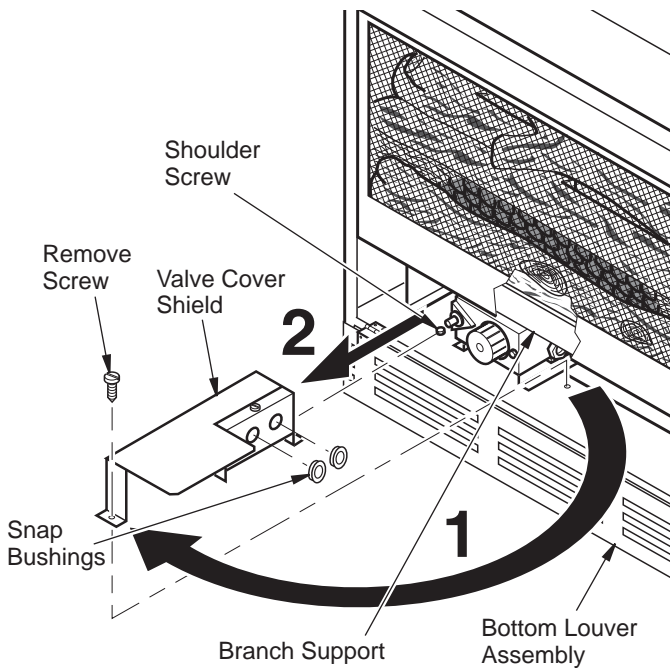
Figure 2 - Removing Upper Louver Assembly

### STANDARD INSTALLATION

#### Removing Valve Cover Shield

1. Open bottom louver assembly by swinging the assembly down (see Figure 3, page 2).
2. Using short Phillips screwdriver, remove screw under the center of branch support. Rotate valve cover shield clockwise and slide out. **IMPORTANT:** Do not remove shoulder screw on left side of valve cover shield. Slide valve cover shield off of shoulder screw (see Figure 3, page 2).

*Note: If you do not have a short Phillips screwdriver, the screen, twigs, and branch support must be removed so a longer screwdriver may be used. Follow directions in the owner's manual for screen and twig removal/installation. Branch support may be removed by removing 2 screws on each side of support.*



**Figure 3 - Removing Valve Cover Shield**

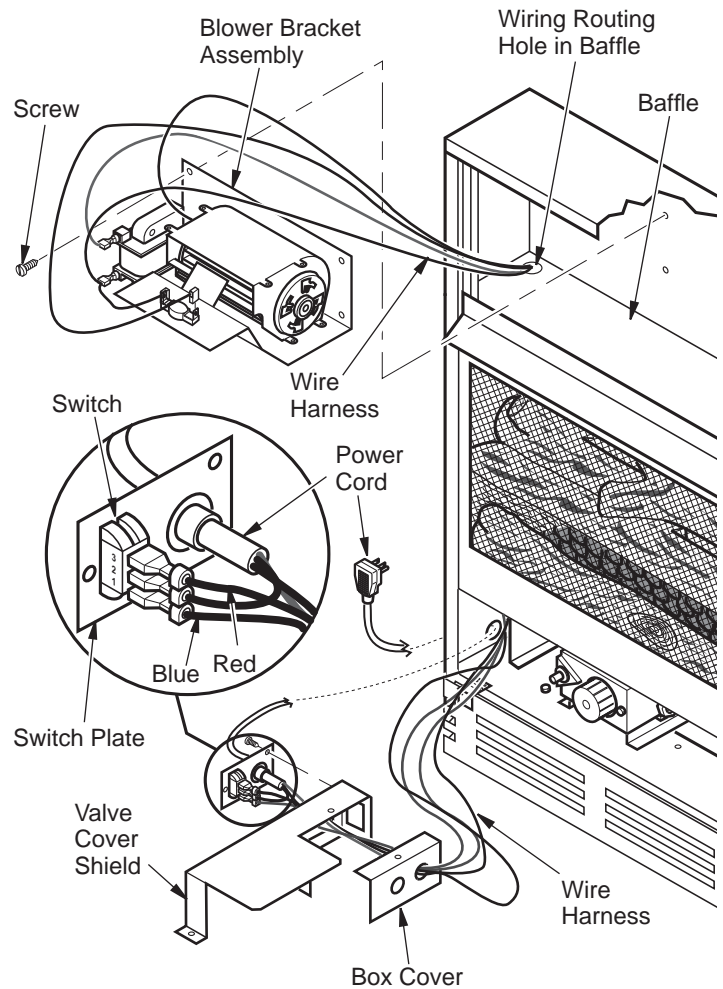
### Installing Blower Assembly

*Note: If you are using a mantel with your heater, use the following instructions. If your heater is built-in, see [For Built-In Installation](#) on page 3.*

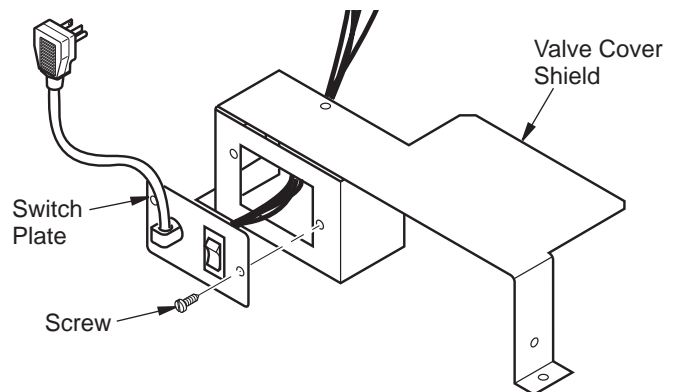
1. Install snap bushings found in hardware kit into both holes in rear of valve cover shield.
2. Make sure the wire harness is firmly connected to all terminals on blower bracket assembly.
3. In top of heater cabinet, locate four mounting holes on outer casing. Align these four holes with those on blower bracket assembly. Attach blower bracket assembly to outer casing with 4) #10 screws provided (see Figure 4).
4. Route wire harness through hole in left side of baffle. Pull wire harness through lower opening above where valve shield was removed. (See Figure 4.)
5. Insert 4 wire harness into one of the round holes in rear of valve cover shield and through rectangular hole in front of shield (see Figure 4).
6. Note the terminal numbers on back of AUTO/OFF/ON switch. They are numbered 1, 2, and 3. (See Figure 4).
7. Connect red wire on blower harness to switch position 3. Connect blue wire to switch position 1.
8. Connect green wire to green wire of power cord. Connect white wire to white wire of power cord.
9. Install switch plate on valve cover shield with 2) #10 screws provided (see Figure 5). Reinstall valve cover shield. Route power cord out of cabinet by inserting it through bushing on outer casing (see Figure 4). Plug fan kit into 120-Volt grounded power supply and test operation.

*Note: When switch is in the AUTO position, the fan will start after heater has run for a few moments. Fan will continue to run for several moments after heater has been turned off. When switch is in the ON position, the fan will run until turned to OFF.*

Reinstall upper louver assembly (see Figure 2, page 1) and close lower louver door.



**Figure 4 - Installing Blower Bracket Assembly**



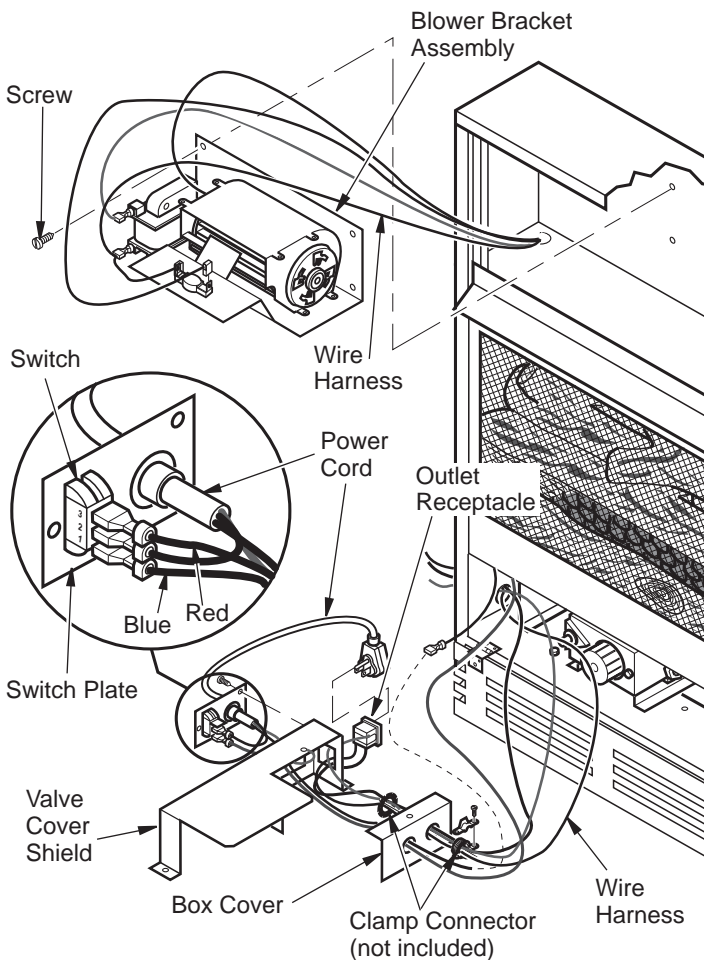
**Figure 5 - Installing Switch Plate to Valve Cover Shield**

## FOR BUILT-IN INSTALLATION

**⚠ WARNING: A licensed electrician must connect the wiring harness to electrical supply following all local codes. Electrician must provide a clamp on the box cover to secure the wiring. Wiring should be routed through the bushing in the hole on the outer casing of heater.**

Follow instructions *Removing Valve Cover Shield* (page 1), then

1. Install a snap bushing found in hardware kit into one of the holes found rear of valve cover shield. The other hole is for a strain relief clamp (not supplied) to secure incoming electrical supply.
2. Follow steps 2 through 4 in *Installing Blower Assembly*, page 2. Also remove black wire from middle switch terminal 2.
3. Remove black plastic strain relief and power cord from switch plate. The power cord supplied will not be used in built-in installations. Pop in the plastic snap bushing found in hardware kit into the hole left by supply cord/strain relief.
4. A licensed electrician must follow the wiring diagram to connect incoming electrical supply to fan kit wiring harness (see Figure 7).
5. Reinstall valve cover shield.
6. Test to make sure blower is working properly.
7. Reinstall upper louver assembly (see Figure 2, page 1) and close lower louver.

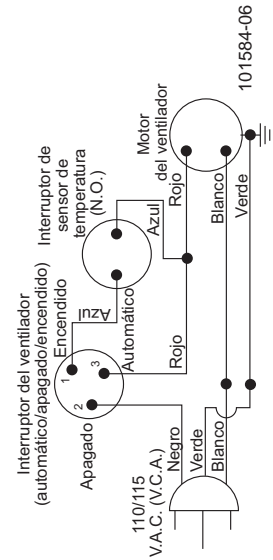


**Figure 6 - Installing Blower Bracket Assembly**

**⚠ ADVERTENCIA:** nunca intente reparar el calentador mientras esté conectado, en funcionamiento o caliente. Puede sufrir quemaduras o electrocución. Sólo una persona de servicio capacitada debe reparar el calentador o darle servicio.

En caso que se deba reemplazar alguno de los cables suministrados originalmente con el calentador, utilice únicamente repuestos originales. Parte FMI número 14419 (105°C) para el cable de alimentación y parte FMI número 103283-01 (200°C) para el ventilador.

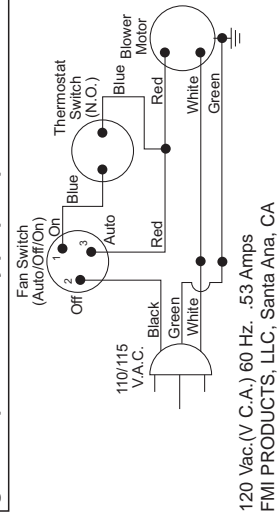
**⚠ ADVERTENCIA:** marque todos los cables antes de desconectarlos. Los errores en el cableado pueden ocasionar funcionamiento errático y peligroso. Después de dar servicio al calentador compruebe que éste funcione correctamente.



**⚠ WARNING:** Never attempt to service heater while it is plugged in, operating, or hot. Burns and electrical shock could result. Only a qualified service person should service or repair heater.

If any of the original wire as supplied with the appliance must be replaced, original replacements must be used, FMI part no. 14419 (105°C) for power cord, and FMI part no. 103283-01 (200°C) for blower.

**⚠ WARNING:** Label all wires prior to disconnection when servicing controls. Wiring errors can cause improper and dangerous operation. Verify proper operation after servicing.



**Figure 7 - Wiring Diagram Decal**

## EXTENSION CORD

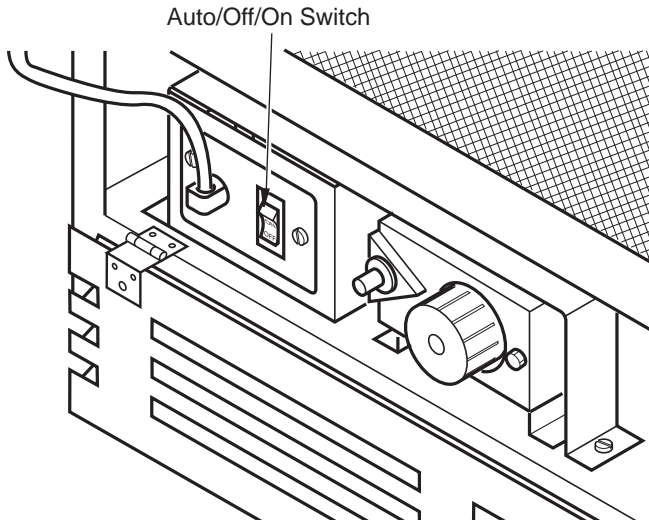
Use extension cord if needed. The cord must have a three-prong, grounding plug and a three-hole receptacle. Make sure cord is in good shape. It must be heavy enough to carry the current needed. An undersized cord will cause a drop in line voltage. This will result in loss of power and overheating. Use a No. 16 AWG cord for lengths less than 50 feet.

## OPERATING FAN

This blower has three settings: ON, OFF, and AUTO. In the ON position, the blower will operate constantly. In the OFF position, the blower will not operate. In the AUTO position, the blower will start when the thermostat senses a sufficient increase in firebox temperature.

*Note: Your fireplace and thermostat blower will not turn on and off at the same time. The fireplace may run for several minutes before the blower turns on. After the heater modulates to the pilot position, the blower will continue to run. The blower will shut off after the firebox temperature decreases.*

*Note: It is safe to operate fireplace with blower turned off. However, the blower helps distribute heated air from the fireplace.*



**Figure 8 - Auto/Off/On Switch**

## TECHNICAL SERVICE

You may have further questions about installation, operation, or troubleshooting. If so, contact FMI PRODUCTS, LLC at 1-866-328-4537. When calling please have your model and serial numbers of your heater ready.

You can also visit our web site at [www.fmiproducts.com](http://www.fmiproducts.com).

## REPLACEMENT PARTS

If this product is missing a part or has a broken component, please do not return it to the store. Call FMI PRODUCTS, LLC at 1-866-328-4537 to answer questions and replace parts under warranty.

*Note: Use only original replacement parts. This will protect your warranty coverage for parts replaced under warranty.*

When calling, have ready:

- your name
- your address
- model of your heater
- how heater was malfunctioning
- purchase date