

General Instructions for Replacing Thermocouples

WARNING

Only a qualified service person should service and repair heater.
 Never service a heater while the unit is still in operation or still hot.
 Never service a heater that is plugged in to any source of electrical source and operational.
 Severe burns and electrical shock can occur.
 Turn off heater and let cool before servicing.

Installing standard vent-free thermocouple kits

1. Turn gas off to appliance.
2. Remove front panel from heater by removing the screws holding front panel to the cabinet.
3. Remove thermocouple wire from gas valve base by turning fitting counter clockwise with a 5/16" wrench (see Figure 1).
4. Locate the pilot assembly and, with a Phillips screwdriver, remove screw that holds the bracket for the thermocouple and igniter (see Figure 2).
5. Remove thermocouple and replace with new thermocouple.
6. Replace bracket and tighten screw.
7. Finger tighten thermocouple wire fitting at base of gas valve. With 5/16" wrench, turn fitting 1/4 turn clockwise.
8. Replace front panel on heater.
9. Turn gas on to appliance.

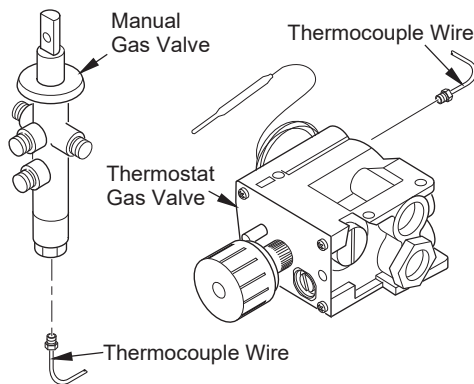


Figure 1 - Thermocouple Connection to Gas Valves

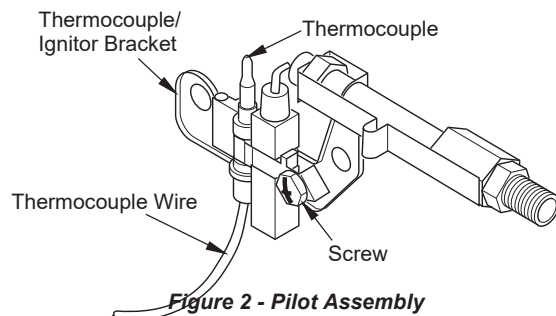


Figure 2 - Pilot Assembly

Installing 110183-01, 110186-01 and other similar clip in style thermocouple replacement kits.

1. Turn gas off to appliance.
2. Remove front panel from heater by removing the screws holding front panel to the cabinet.
3. Remove thermocouple wire from gas valve base by turning fitting counter clockwise with a 5/16" wrench (see Figure 1).
4. Locate the pilot assembly and remove the clip that holds the thermocouple in place (see Figure 3). Slide thermocouple down and remove from bracket.
5. Insert new thermocouple into pilot bracket as high as it will go. Slide on retaining clip.
6. Finger tighten thermocouple wire fitting at base of gas valve. With 5/16" wrench, turn fitting 1/4 turn clockwise.
7. Replace front panel on heater.
8. Turn gas on to appliance.

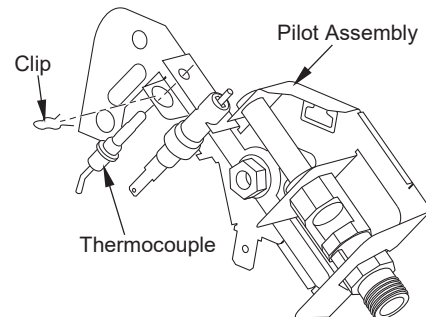


Figure 3 - Replacing Thermocouple on Pilot Assembly