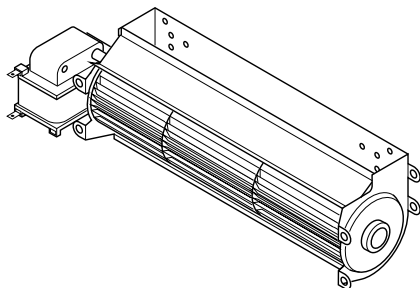




## GA3750A BLOWER ACCESSORY INSTALLATION INSTRUCTIONS



### FOR USE WITH:

**FIREBOXES:** (NL)FB32C, (NL)FB36C, FB42C, (NL)UV32C, CGFB32C AND CGFB36C SERIES

**VENT-FREE FIREPLACES:** VSGF28, VYGF33, VTGF33, VCGF30, VSGF33, FPV33, CGFP28, LFP33 SERIES AND (CG)EFP33 SERIES

**DIRECT-VENT FIREPLACES:** (E)BDV, BHDV, DVF(E)34, DVFH34, CDV AND CHDV SERIES

**STOVES:** CSDBN, SDVB, MSDVB MSTD, CDV, S39T AND S26T SERIES

**⚠ WARNING: ELECTRICAL GROUNDING INSTRUCTIONS** This appliance is equipped with a three-prong (grounding) plug for your protection against shock hazard and should be plugged directly into a properly grounded three-prong receptacle.

(Check your appliance owner's manual for specific applications and additional instructions.)

Parts included with this kit:

Part No.	Description	Quantity
	Blower with speed control and 6-foot cord.	1
	Instruction Sheet	1
103650-01	Control Knob	1
103651-01	Lock Nut	1
M11084-38	#8 x 3/8" sheet metal screws	5
101629-01	Plastic Hole Bushings	2
101584-05	Wiring Diagram Decal	1

### Tools Required

- Pliers
- Phillips Screwdriver

If any of these pieces are missing or damaged or if the installation instructions for your fireplace or stove are not included in this manual, contact the dealer where you purchased this kit or DESA at 1-866-672-6040 for referral information.

**Save this manual for future reference.**

Available from Allparts Equipment and Accessories - 1-877-475-5660 - [www.allpartsinc.com](http://www.allpartsinc.com)

## INSTALLING BLOWER ACCESSORY IN A 32" FIREBOX

**Notice:** If a log set is currently installed in the firebox, disconnect log set from gas supply and remove from firebox. Contact a qualified service person to do this.

**Notice:** Not all 24" vent free gas logs can be installed in a 32" firebox with a blower. Please refer to your gas log owner's manual for log sizing requirements.

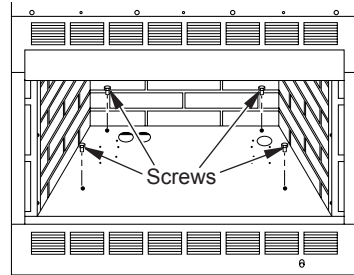
*Note:* Appearance of firebox may vary slightly depending on model.

1. Remove the firebox bottom:
  - a. Remove the 4 screws that secure the bottom of the firebox (see Figure 1).
  - b. Carefully raise and remove the firebox bottom from the firebox.

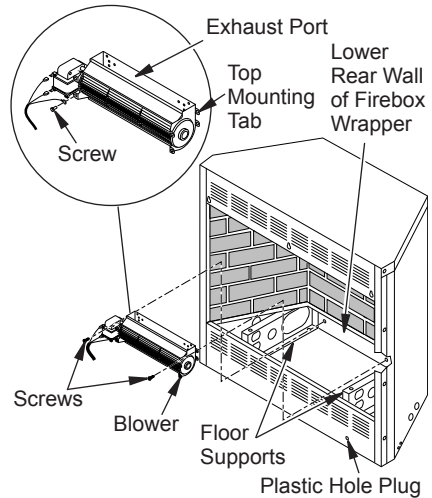
**WARNING:** If there is a duplex electrical outlet installed in the right side of the bottom of the fireplace base area, be sure that the electrical power to the outlet is turned off before proceeding with blower installation. Failure to do this may result in serious injury.

2. Attach the power cord to the blower motor by firmly pushing the two female terminals at the end of the power cord onto the two spade terminals on the blower motor.
3. Attach green ground wire from power cord to blower housing using screw provided (see Figure 2). Tighten screws securely.
4. Place the blower against lower rear wall of firebox wrapper with the exhaust port directed upward. Align the holes in top mounting tabs of blower with holes in wall of wrapper (see Figure 2). Using 2 screws provided, mount blower and tighten screws securely.
5. Be certain that all wire terminals are securely attached to terminals on blower motor and that the screw retaining the green ground wire is tight.
6. Locate the plastic hole plug installed in the 3/8" diameter opening in the lower right side of the firebox front panel (see Figure 2). Remove the plastic plug and discard.

7. Place speed control against inner wall of front panel, pushing the plastic control shaft forward through the opening (see Figure 3).
8. While supporting speed control, secure control shaft with lock nut by pushing and turning lock nut with pliers clockwise until it is tight against front panel. Place control knob provided on shaft (see Figure 3).

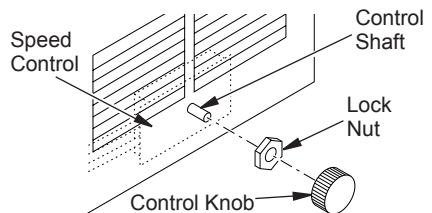


**Figure 1 - Removing Screws from Firebox Bottom**



**Figure 2 - Mounting Blower to Firebox**

*Note:* Appearance of fireplace may vary by model.



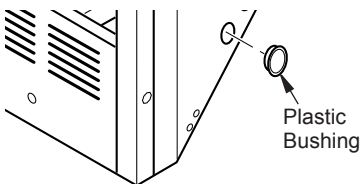
**Figure 3 - Attaching Speed Control**

## INSTALLING BLOWER ACCESSORY IN A 32" FIREBOX *Continued*

9. Plug in blower power cord.
  - a. If your firebox is installed as a freestanding unit, determine whether the power cord will exit the left side or the right side of the firebox. Install 1 plastic bushing provided into the 1 1/2" hole in the floor support on the exit side. Install the second plastic bushing provided into the 1 1/2" hole in the outer casing through which the power cord will exit (see Figure 4). Route power cord through both plastic bushings and plug the power cord into a 3-prong grounded wall receptacle near the firebox.
  - b. If your firebox installation is recessed and/or pre-wired, plug the power cord into the duplex outlet provided. Refer to your firebox owner's manual for instructions on wiring the duplex outlet.

**CAUTION:** Never touch the blower wheel while in operation.

10. Turn on power to duplex outlet if previously turned off per the warning in step 1, page 2.
11. Check to make sure that the power cord is completely clear of the blower wheel and that there are no other foreign objects in blower wheel. Turn blower on and check for operation.
12. Peel off the backing paper and stick the supplied wiring diagram decal on the firebox bottom approximately 12" in front of the blower.
13. Replace bottom of firebox. *Note:* Make sure the back of the firebox bottom slides under the rear of the firebrick (lift the firebrick up if necessary.)



**Figure 4 - Installing Plastic Bushing for Power Cord**

14. Reattach firebox bottom using 4 screws removed in step 1, page 2. *Note:* Discard the remaining hardware items.
15. Install the log set heater according to the installation instructions supplied with the heater.

## OPERATING THE BLOWER

Light your gas appliance with the blower off. After about 15 minutes, turn the blower on to deliver heated air at the top louvers. The blower features a variable control which allows you to select the speed you desire.

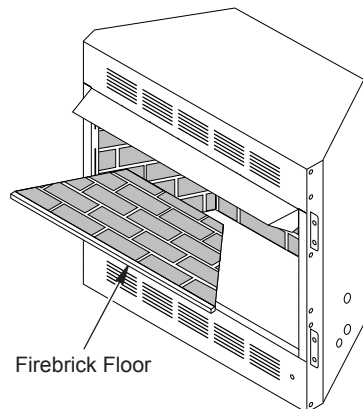
*Note:* Periodically check the louvers of the firebox and remove any dust, dirt or other obstructions.

## INSTALLING BLOWER ACCESSORY IN 36" OR 42" FIREBOX

**NOTICE:** If a log set is installed in the firebox, disconnect log set from gas supply and remove from firebox. Contact a qualified service person to do this.

*Note:* Appearance of firebox may vary depending on model.

1. If firebrick is installed, carefully lift and remove the concrete firebrick floor from the firebox (see Figure 5). Some model fireboxes require that you remove the side and rear panels first. Follow the directions below to remove the side and rear firebrick panels for those fireboxes.



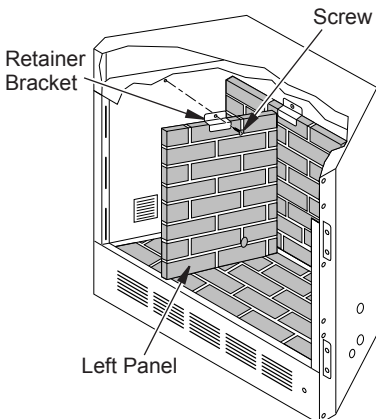
**Figure 5 - Removing Firebrick Floor from Firebox**

# INSTALLING BLOWER ACCESSORY IN 36" OR 42" FIREBOX

*Continued*

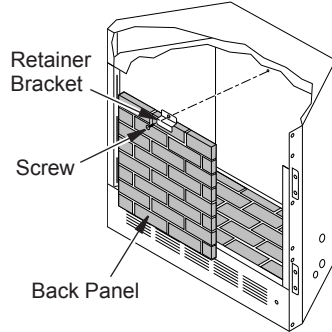
- a. Using a Phillips screwdriver, remove the screw and retainer bracket at the top of the brick liner panel on the left side. Carefully remove the left panel from the firebox (see Figure 6).
  - b. Repeat the removal steps for the brick liner panel on the right side.
  - c. Remove the screw and retainer bracket at the top of the brick liner panel at the rear of the firebox. **IMPORTANT:** Do not let panel fall after bracket has been removed. Carefully remove the rear panel from the firebox (see Figure 7).
  - d. Carefully lift and remove the concrete firebrick floor from the firebox if installed (see Figure 5, page 3).
2. Remove the firebox bottom.
    - a. Remove the 4 screws that secure the bottom of the firebox (see Figure 8).
    - b. Carefully raise and remove the firebox bottom from the firebox.

**⚠ WARNING:** If there is a duplex electrical outlet installed in the right side of the bottom of the fireplace base area, be sure that the electrical power to the outlet is turned off before proceeding with the blower installation. Failure to do this may result in serious injury.

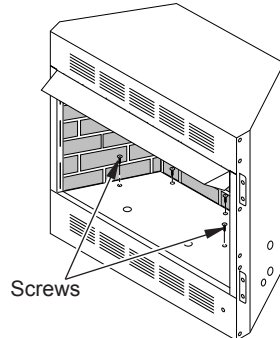


**Figure 6 - Removing Left Panel from Firebox**

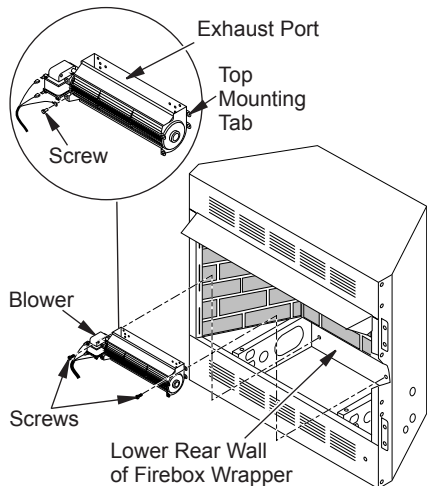
3. Attach the power cord to the blower motor by firmly pushing the two female terminals at the end of the power cord onto the two spade terminals on the blower motor.
4. Attach green ground wire from power cord to blower housing using screw provided (see Figure 9). Tighten screws securely.



**Figure 7 - Removing Back Panel from Firebox**



**Figure 8 - Removing Firebox Bottom**



**Figure 9 - Mounting Blower to Firebox**

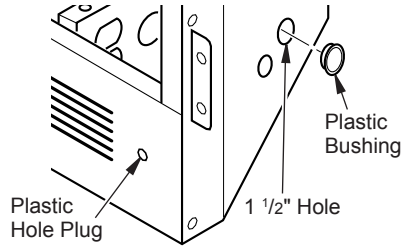
# INSTALLING BLOWER ACCESSORY IN 36" OR 42" FIREBOX

*Continued*

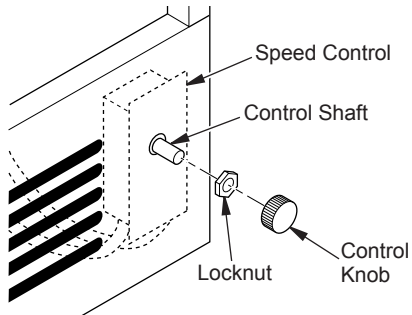
5. Place the blower against the lower rear wall of the firebox outer wrapper with the exhaust port directed upward. Align the holes in top mounting tabs of blower with holes in wall of wrapper (see Figure 9, page 4). Using 2 screws provided, mount blower and tighten screws securely.
6. Be certain that all wire terminals are securely attached to terminals on blower motor and that the screw retaining the green ground wire is tight.
7. Locate the plastic hole plug installed in the 3/8" diameter opening in the lower right side of the firebox front panel (see Figure 10). Remove the plastic plug and discard.
8. Place speed control against inner wall of front panel, pushing the plastic control shaft forward through the opening.
9. While supporting speed control, secure control shaft with lock nut by pushing and turning lock nut with pliers clockwise until it is tight against front panel. Place control knob provided on shaft (see Figure 11).
10. Turn on power to duplex outlet if previously turned off per the warning in column 1, page 4.
11. Plug in blower power cord.
  - a. **If your firebox is installed as a free-standing unit with an accessory mantel,** determine whether the power cord will exit the left side or the right side of the firebox. Install 1 plastic bushing provided into the 1 1/2" hole in the floor support on the exit side. Install the second plastic bushing provided into the 1 1/2" hole in the outer casing through which the power cord will exit (see Figures 10 and 12). Route power cord through both plastic bushings and plug the power cord into a wall receptacle near the firebox.
  - b. **If your firebox installation is recessed and/or pre-wired,** plug the power cord into the duplex outlet provided. Refer to your firebox owner's manual for instructions on wiring the duplex outlet.
12. Check to make sure that the power cord is completely clear of the blower wheel and that there are no other foreign objects in blower wheel. Turn blower on and check for operation. Turn blower off by turning knob fully counterclockwise before continuing.

**CAUTION:** Never touch the blower wheel while in operation.

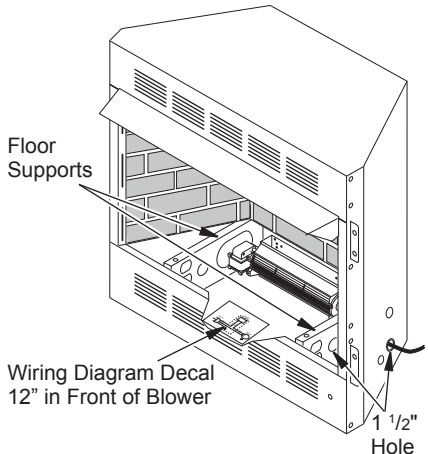
13. Peel off the backing paper and stick the supplied wiring diagram decal on the firebox bottom approximately 12" in front of the blower (see Figure 12).



**Figure 10 - Installing Plastic Bushing for Power Cord**



**Figure 11 - Attaching Speed Control to Firebox**



**Figure 12 - Location of Wiring Diagram Decal**

## INSTALLING BLOWER ACCESSORY IN 36" OR 42" FIREBOX

*Continued*

14. Replace and reattach firebox bottom using 4 screws removed in step 2 (see Figure 8, page 4).
15. If previously removed, carefully replace the firebrick side panels and/or floor in the firebox (see Figure 5, page 3 and Figures 6 and 7, page 4).
16. Install the log set heater according to the installation instructions supplied with the heater.

**WARNING: A qualified service person must install heater. Follow all local codes.**

*Note:* Discard the remaining hardware items.

### OPERATING THE BLOWER

Light your gas appliance with the blower off. After about 15 minutes, turn the blower on to deliver heated air at the top louvers. The blower features a variable control which allows you to select the speed you desire.

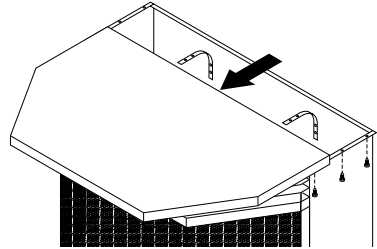
*Note:* Periodically check the louvers of the firebox and remove any dust, dirt or other obstructions.

## INSTALLING BLOWER ACCESSORY IN MODEL SVFBC FREESTANDING STOVE

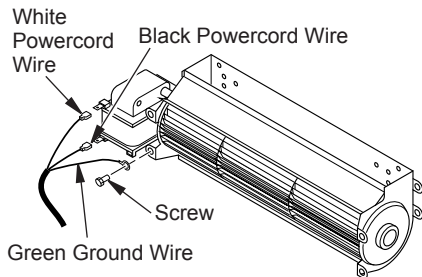
**NOTICE: Shut off gas heater during the following blower installation.**

1. Remove top panel of stove by removing three screws from under top lip on each side of stove (see Figure 13).
2. Facing front of stove, carefully slide top panel forward until it is completely removed from stove (see Figure 13).
3. Disconnect power cord wires from blower motor (if connected) (see Figure 14).
4. Disconnect green ground wire from blower housing (if connected) by removing screw holding wire terminal (see Figure 14).
5. Install one plastic bushing provided in blower kit into the 1 1/2" hole in the left rear of firebox floor. Access hole through the rectangular opening in the rear panel (see Figure 15).

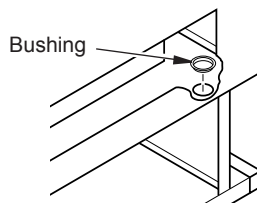
6. Remove the two blower mounting brackets from the rear panel by removing two screws each (see Figure 16, page 7).
7. Attach the two mounting brackets to blower housing using four screws provided in blower kit (2 for each bracket) (see Figure 16, page 7). Tighten screws securely. Place blower assembly temporarily on top of firebox.
8. Working from the rear of the stove, place entire power cord, including speed control housing, in lower control compartment.
9. Route ends of 3-wire power cord up from the lower control compartment through the plastic bushing, then up to the upper cavity of stove (see Figure 17, page 7).
10. Attach the terminal ends of the white and black power cord wires to the terminals on the blower motor (see Figure 14). Push firmly.



**Figure 13 - Removing Stove Top Panel**



**Figure 14 - Removing Wires from Blower**



**Figure 15 - Installing Bushing**

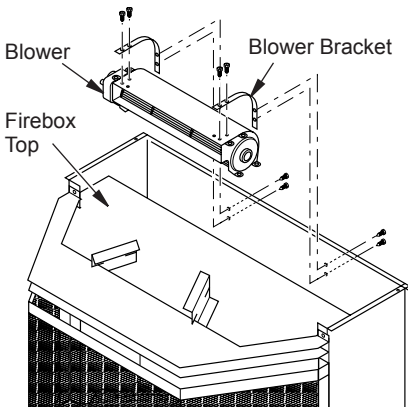
# INSTALLING BLOWER ACCESSORY IN MODEL SVFBC FREESTANDING STOVE

*Continued*

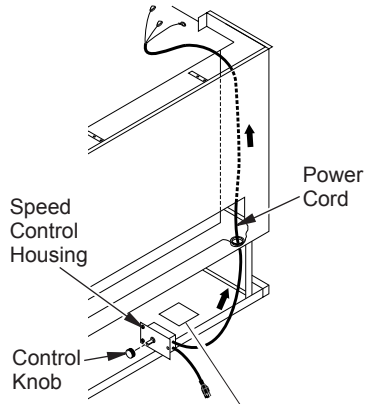
11. Attach the terminal end of the green power cord wire to the front tab of the blower housing using screw provided (see Figure 14, page 6).
12. Using the four screws previously removed, mount blower assembly to stove by reattaching blower brackets to rear panel (see Figure 16). Tighten screws securely.
13. Install plastic control knob onto output shaft of speed control housing (see Figure 17). Place speed control housing just inside control compartment door in front of stove (see Figure 17).
14. Using two screws provided in blower kit, mount blower speed control housing to mounting tab in left side of lower control compartment (see Figure 18).

15. Check to make sure that the power cord is completely clear of blower wheel and there are no foreign objects in blower wheel.
16. Carefully replace stove top panel. Align holes and replace six screws removed in step 1, page 6.
17. Peel off the backing paper and stick the supplied wiring diagram decal on the stove floor as shown in Figure 18.
18. Plug power cord into a convenient 3-prong grounded wall receptacle near the stove.

**⚠ WARNING: Electrical Grounding Instructions: This appliance is equipped with a three-prong (grounding) plug for your protection against shock hazard and should be plugged directly into a properly grounded three-prong receptacle.**



**Figure 16 - Removing Blower Brackets from Stove and Attaching to Blower**

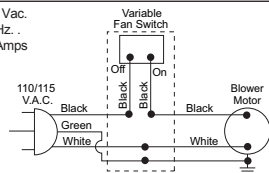


**⚠ WARNING: Never attempt to service heater while it is plugged in, operating or hot. Burns and electrical shock could result. Only a qualified service person should service or repair heater.**

If any of the original wire as supplied with the appliance must be replaced, it must be replaced with 105°C wire or it's equivalent.

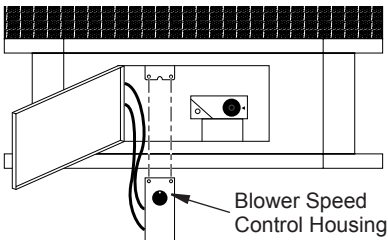
**⚠ WARNING: Label all wires prior to disconnection when servicing controls. Wiring errors can cause improper and dangerous operation. Verify proper operation after servicing.**

120 Vac.  
60 Hz.  
78 Amps



DESA Heating Products, Bowling Green, KY

**Wiring Diagram Decal**



**Figure 17 - Installing Blower Control Housing**

**Figure 18 - Routing Power Cord**

## INSTALLING BLOWER ACCESSORY IN MODEL SVFBC FREESTANDING STOVE

*Continued*

- Using speed control knob, turn blower on and check for operation.
- All remaining parts from blower kit may be discarded.

### OPERATING THE BLOWER

Light your gas appliance with the blower off. After about 15 minutes, turn the blower on to deliver heated air at the top louvers. The blower features a variable control which allows you to select the speed you desire.

## INSTALLING BLOWER ACCESSORY IN 32" FIREPLACE SYSTEMS

**NOTICE:** Shut off gas supply and disconnect heater from gas supply. Contact a qualified service person to do this.

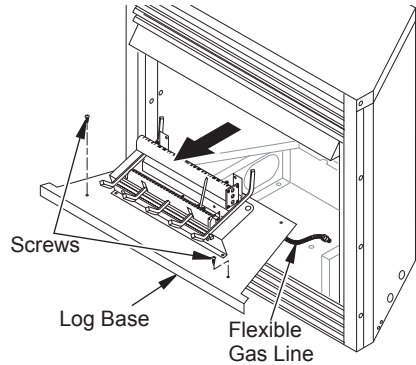
**NOTICE:** Not all 24" vent free gas logs can be installed in a 32" firebox with a blower. Please refer to your gas log owner's manual for log sizing requirements.

*Note:* Appearance of firebox or burner system may vary depending on model.

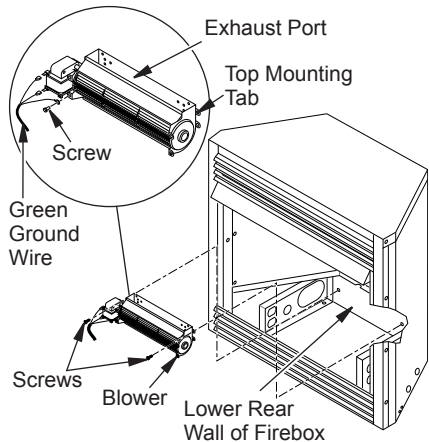
- Remove fireplace screen per the instructions in operation manual supplied with fireplace.
- If logs are installed, carefully remove the logs and set aside, noting the properly mounted location of each.
- Remove screws that attach log base assembly to fireplace. Carefully lift up log base assembly and remove from fireplace, taking care to pull flexible gas line through the access holes (see Figure 19).

**CAUTION:** Do not pick up log base assembly by burners. This could damage burners. Only handle base by grates.

- Attach the power cord to the blower motor by firmly pushing the two female terminals at the end of the power cord onto the two spade terminals on the blower motor.
- Attach green ground wire from power cord to blower housing using screw provided (see Figure 18). Tighten screws securely.
- Place the blower against lower rear wall of firebox outer wrapper with the exhaust port directed upward. Align the holes in top mounting tabs of blower with holes in wall of wrapper (see Figure 20). Using 2 screws provided, mount blower and tighten screws securely.
- Be certain that all wire terminals are securely attached to terminals on blower motor and that the screw retaining the green ground wire is tight.
- Place control knob provided on plastic control shaft of speed control.



**Figure 19 - Removing Log Base from Fireplace**



**Figure 20 - Mounting Blower to Firebox**



# INSTALLING BLOWER ACCESSORY IN 32" FIRE-PLACE SYSTEMS

*Continued*

9. Mount the speed control on the front leg of the left floor support bracket using 2 screws provided (see Figure 21). *Note:* Some remote ready fireplace models have the gas control located near the left floor support bracket. For these models, mount the blower speed control onto the right floor support bracket.
10. Plug in blower power cord.
  - a. **If your fireplace system is installed as a freestanding unit with an accessory mantel**, determine whether the power cord will exit the left side or the right side of the firebox. Install 1 plastic bushing provided into the 1.5" hole in the floor support bracket on the exit side (see Figure 22). Install the second plastic bushing provided into the 1.5" hole in the outer casing through which the power cord will exit. Route power cord through both plastic bushings and plug the power cord into a properly grounded 3-prong wall receptacle near the firebox.
  - b. **If your fireplace system installation is recessed and if an outlet is not installed in your fireplace**, you must install the GA3555 Outlet kit with cover in your fireplace which will supply a convenient 3-prong grounded electrical outlet for your blower. Refer to the installation manual provided with the model GA3555 accessory for instructions on wiring the duplex outlet. *Note:* A qualified installer must make all electrical connections.

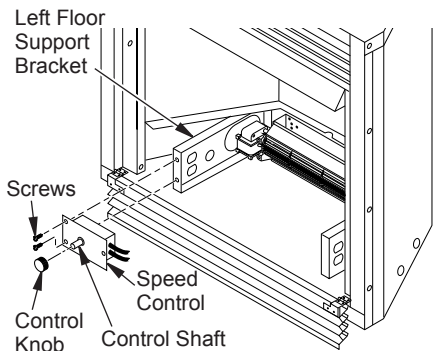
11. Check to make sure that the power cord is completely clear of the blower wheel and that there are no other foreign objects in blower wheel. Turn blower on and check for operation. Turn blower off by rotating knob fully counterclockwise before continuing.

**⚠ CAUTION: Never touch the blower wheel while in operation.**

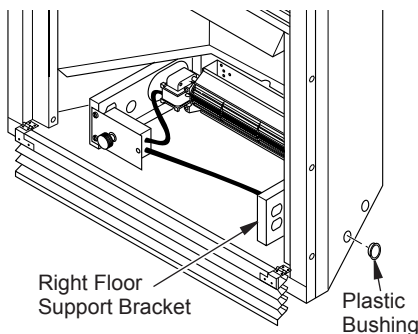
12. Peel off the backing paper and stick the supplied wiring diagram decal on the firebox bottom approximately 3" to the right of the blower speed control (Figure 23, page 10).
13. Replace log base assembly in fireplace. Feed flexible gas supply line into fireplace base area while replacing log base assembly. Make sure the entire flexible gas line is in fireplace base area. *Note:* If firebrick is installed, make sure the back of the firebox bottom slides under the rear panel of the firebrick (lift the firebrick up if necessary).
 

**IMPORTANT:** Do not pick up log base assembly by burners. This could damage burners. Only handle base by grates.
14. Reattach log base assembly to fireplace with screws removed in step 3, page 8. *Note:* Discard the remaining hardware items.
15. Install logs and fireplace screen per instructions in operating manual provided with fireplace.

**⚠ WARNING: Failure to position the parts in accordance with supplied diagrams or failure to use only parts specifically approved with this heater may result in damage or personal injury.**



**Figure 21 - Attaching Speed Control to Firebox**



**Figure 22 - Installing Plastic Bushing for Power Cord**

## INSTALLING BLOWER ACCESSORY IN 32" FIRE-PLACE SYSTEMS

*Continued*

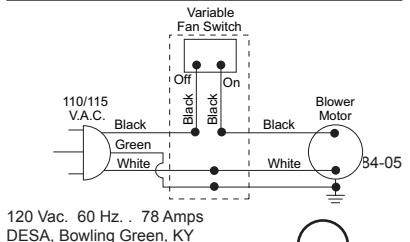
16. Connect gas supply to fireplace per instructions in operating manual provided with fireplace.

**⚠ WARNING: A qualified service person must connect fireplace to gas supply. Follow all local codes.**

**⚠ WARNING: Never attempt to service heater while it is plugged in, operating or hot. Burns and electrical shock could result. Only a qualified service person should service or repair heater.**

If any of the original wire as supplied with the appliance must be replaced, it must be replaced with 105°C wire or it's equivalent.

**⚠ WARNING: Label all wires prior to disconnection when servicing controls. Wiring errors can cause improper and dangerous operation. Verify proper operation after servicing.**



Wiring Diagram

**Figure 23 - Location of Wiring Diagram Decal 3" from Blower**

## OPERATING THE BLOWER

Light your gas appliance with the blower off. After about 15 minutes, turn the blower on to deliver heated air at the top louvers. The blower features a variable control which allows you to select the speed you desire. **Note:** Periodically check the louvers of the firebox and remove any dust, dirt or other obstructions.

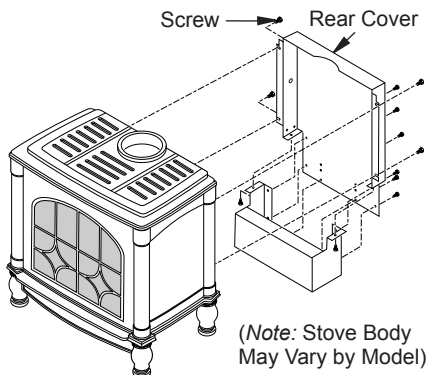
## INSTALLING BLOWER ACCESSORY IN FREESTANDING STOVE SERIES SDV, MSD, MSTD, CDV OR CSDBN

**IMPORTANT: Read all installation instructions before installing blower.**

**NOTICE: Shut off gas supply and disconnect heater from gas supply. Contact a qualified service person to do this.**

## INSTALLING THE BLOWER

1. Remove 4 hex bolts securing rear cover to back of stove body (see Figure 24).
2. Separate bottom cover from rear cover by loosening the 8 mounting screws (see Figure 24).
3. Align the holes in the top mounting tabs of blower with the holes in wall of rear cover (see Figure 25, page 11). Using the 4 screws provided, mount blower and tighten screws securely.
4. Attach the power cord to the blower motor by firmly pushing the two female terminals at the end of the power cord onto the two spade terminals on the blower motor.
5. Attach green ground wire from power cord to blower housing using screw provided (see Figure 25, page 11). Tighten screw securely.
6. Make sure all wire connections to terminals on blower motor are securely attached and that the screw retaining the green ground wire is tight.



**Figure 24 - Removing/Installing Rear Cover**

## INSTALLING BLOWER ACCESSORY IN FREESTANDING STOVE SERIES SDV, MSD, MSTD, CDV OR CSDBN

*Continued*

7. Place speed control on left inside of rear cover and push the plastic control shaft through opening (see Figure 25).
8. While supporting speed control, secure control shaft with lock nut by pushing and turning lock nut with pliers clockwise until tight against the side of rear cover. Place control knob provided onto shaft (see Figure 25).
9. Plug in blower power cord.
10. Check to make sure that the power cord is completely clear of the blower wheel and that there are no other foreign objects in blower wheel. Turn blower on and check for operation. Turn blower off by rotating knob fully counterclockwise before continuing.

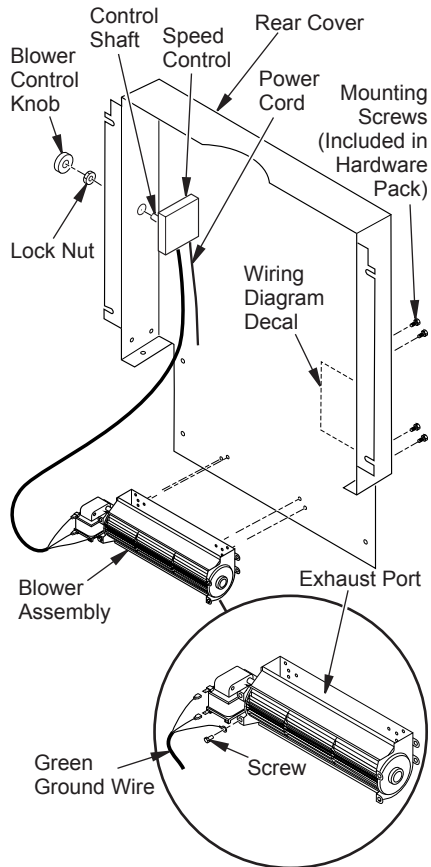
**CAUTION:** Never touch the blower wheel while in operation.

11. Peel off the backing paper and stick the supplied wiring diagram decal on the inside of rear cover as shown (see Figure 25).
12. Connect or reconnect gas supply following instructions given in the owner's manual supplied with your fireplace.

**WARNING:** A qualified service person must connect fireplace to gas supply. Follow all local codes.

13. Reattach bottom cover to rear cover with 8 screws (see Figure 25). Make sure that you don't pinch any wires during reassembly.
14. Secure rear cover to back of stove chassis (see Figure 25).
15. Plug in the power cord when ready to use.

**WARNING:** Failure to position the parts in accordance with supplied diagrams or failure to use only parts specifically approved with this heater may result in damage or personal injury.



**Figure 25 - Installing Optional Blower Accessory**

### OPERATING THE BLOWER

Light your gas appliance with the blower off. After about 15 minutes, turn the blower on to deliver heated air through the openings in the top of the stove body. The blower features a variable control which allows you to select the speed you desire. The blower helps distribute heated air from the fireplace. Periodically check the openings of the stove top and remove any dust, dirt or other obstructions that will hinder the flow of air.

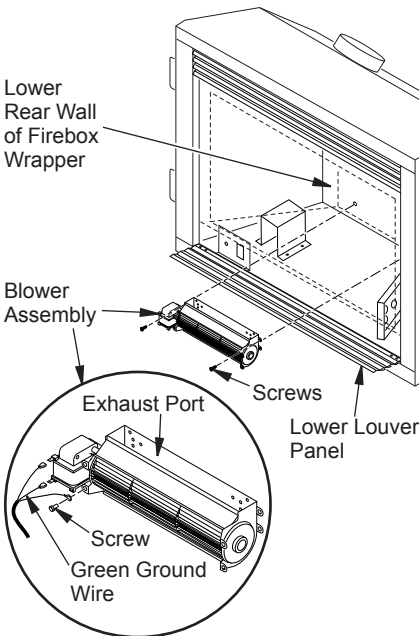
## INSTALLING BLOWER ACCESSORY IN DIRECT-VENT FIREPLACE SERIES BHDV, (E)BDV, DDV, HDV, CDV, CHDV, DVF(E) OR DVFH

**IMPORTANT:** Read all installation instructions before installing blower.

**NOTICE:** Shut off gas supply and disconnect heater from gas supply. Contact a qualified service person to do this.

*IMPORTANT:* For clarity, gas valve assembly and grate/burner assembly are not shown in Figures 24 and 25. They will, however, be in your fireplace when you are installing the blower. Also for clarity the firebox is shown with dotted lines.

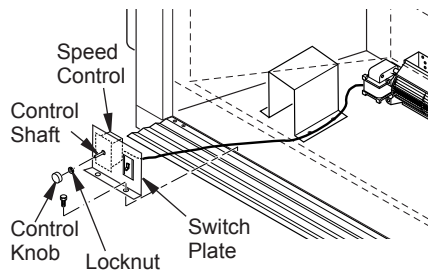
1. Open lower louver panel as shown in Figure 26.
2. Attach the power cord to the blower motor by firmly pushing the two female terminals at the end of the power cord onto the two spade terminals on the blower motor.



**Figure 26 - Mounting Blower to Firebox**

3. Attach green ground wire from power cord to blower housing using screw provided (see Figure 26). Tighten screw securely.
4. Place the blower under the firebox and against the lower rear wall of firebox outer wrapper with the exhaust port directed upward. Align the holes in the top mounting tabs of blower with holes in wall of wrapper (see Figure 26). Using the two screws provided, mount blower and tighten screws securely.
5. Be sure all wire terminals on blower are attached securely. Make sure the screw retaining the green wire is tight.
6. Remove screws securing the plate containing the ON/OFF switch to the bottom of the firebox and set aside.
7. Place speed control against the back of this plate and push the plastic control shaft through opening (see Figure 27).
8. While supporting speed control, secure control shaft with lock nut by pushing and turning lock nut with pliers clockwise until tight against the plate. Place control knob (provided) onto shaft (see Figure 27).
9. Replace plate containing switches and tighten screws securely.
10. Plug in blower power cord.

- a. **If your fireplace system is installed as a freestanding unit with an accessory mantel,** determine whether the power cord will exit the left side or the right side of the firebox. Install one plastic bushing (provided) into the 1 1/2" hole in the outer casing through which the power cord will exit. Install the second plastic bushing (provided) into the floor support bracket if exiting through the right side (see Figure 28, page 14). Route power cord through (both) plastic bushing(s) and plug the power cord into a properly grounded 3-prong wall receptacle near the firebox.



**Figure 27 - Attaching Speed Control to Firebox**

## INSTALLING BLOWER ACCESSORY IN DIRECT-VENT FIREPLACE SERIES BHDV, (E)BDV, DDV, HDV, CDV, CHDV, DVF(E) OR DVFH

*Continued*

- b. If your fireplace system installation is recessed and/or pre-wired, a qualified installer must make all electrical connections for the outlet kit included with the fireplace.
11. Check to make sure that the power cord is completely clear of the blower wheel and that there are no other foreign objects in blower wheel. Turn blower on and check for operation. Turn blower off by rotating knob fully counterclockwise before continuing.

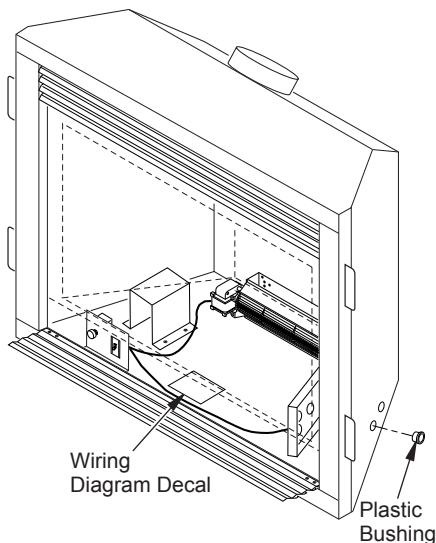
**CAUTION:** Never touch the blower wheel while in operation.

12. Peel off the backing paper and stick the supplied wiring diagram decal on the outer casing bottom approximately 3" to the right of the blower speed control (Figure 28).

**WARNING:** Failure to position the parts in accordance with supplied diagrams or failure to use only parts specifically approved with this heater may result in damage or personal injury.

13. Connect or reconnect gas supply following instructions given in the owner's manual supplied with your fireplace.

**WARNING:** A qualified service person must connect fireplace to gas supply. Follow all local codes.



**Figure 28 - Installing Plastic Bushing for Power Cord and Locating Wiring Diagram Decal**