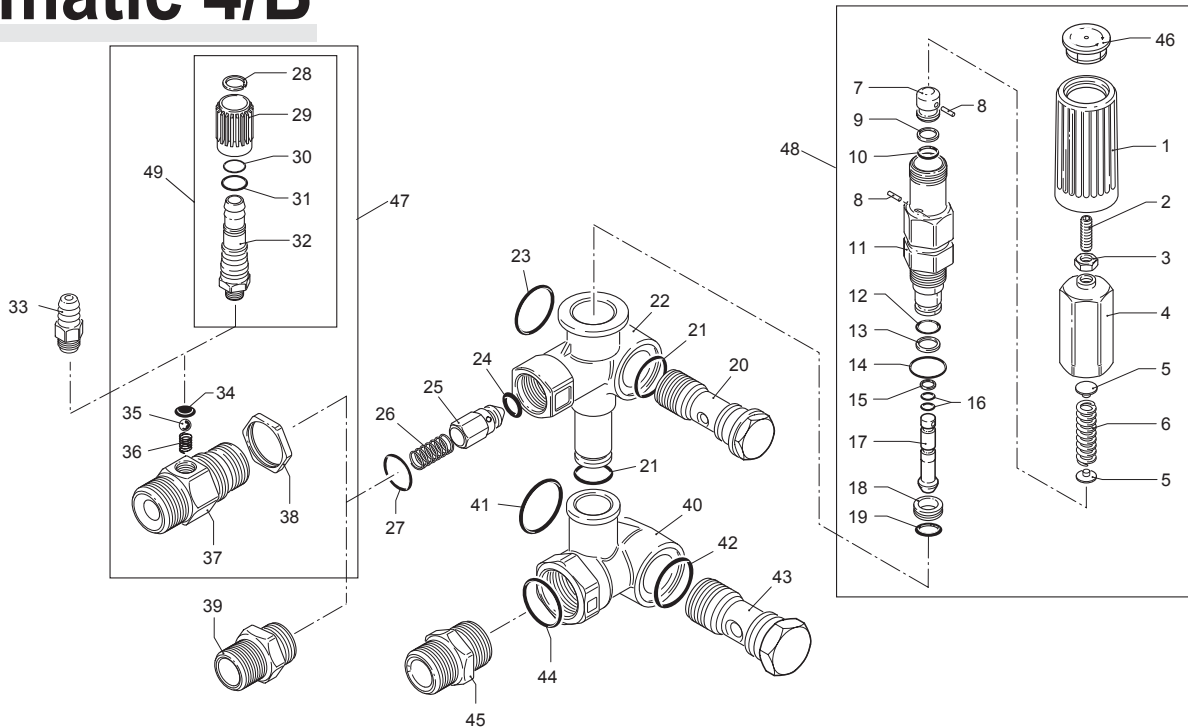


# Minimatic 4/B



Pos.	Part	Description	Qty.
1	1981780	Adjusting knob	1
2	1540560	Adjusting screw	1
3	1980300	Lock nut	1
4	1980390	Brass adjusting cap	1
5	1980220	Spring plate	2
6	1271070	Spring	1
7	1080041	Upper piston	1
8	1080070	Pin	2
9	1080401	Back-up ring	1
10	1080250	O-Ring	1
11	1980210	Piston guide	1
12	740290	O-Ring	1
13	800560	O-Ring	1
14	880830	O-Ring	1
15	1271170	Back-up ring	1
16	1080190	O-Ring	1
17	1271160	Lower piston	1
18	1980200	Valve seat	1
19	1470210	O-Ring	1
20	1540270	Brass adjusting bolt	1
21	1540430	Steel adjusting bolt	1
22	390080	O-Ring	1
23	1540510	Valve housing	1
24	1140450	O-Ring	1
25	1460430	O-Ring	1
26	1540170	Shutter valve	1
27	1080091	Spring	1
28	394280	O-Ring	1
29	1560660	Snap ring	✓ 1
30	1560680	Detergent regulator knob	✓ 1
31	480560	O-Ring	✓ 1
32	800560	O-Ring	✓ 1
33	1560650	Hose barb (adjustable)	✓ 1
34	1560490	Hose barb (fixed)	□ 1
35	480480	O-Ring	□ ✓ 1
36	1250280	Ball	□ ✓ 1
37	1560520	Spring	□ ✓ 1
38	1540570	3/8" G injector body 2.0	□ ✓ 1
	1540580	3/8" G injector body 2.34	□ ✓ 1
	1540610	3/8" NPT injector body 2.0	□ ✓ 1
	1540620	3/8" NPT injector body 2.34	□ ✓ 1
	1540300	Lock nut	□ ✓ 1

Pos.	Part	Description	Qty.
39	1540180	3/8" G discharge fitting	○ 1
40	1540500	3/8" NPT discharge fitting	○ 1
41	1540280	3/8" G By-pass housing	1
42	1540480	3/8" NPT By-pass housing	1
43	1540630	O-Ring	1
44	880270	O-Ring	1
45	1540260	Bolt	1
46	480440	O-Ring	1
47	1540050	Inlet fitting	1
48	1981770	Adjusting knob plug	1
49	1569207	Adjustable injector kit	1
	2858	Unloader kit	1
	1569206	Adjustable injector kit	1

Legend		
4/B	4/B+ID	4/B+IDR
For ○	For □	For ▼
AR20821	AR20888	AR20890
AR21036	AR21037	AR21039
	AR21038	AR21040

Please add an "AR" to the beginning of the part number when ordering.

Repair Kits					
		O-Rings		Bolts	
		Kit 2812		Kit 2572	
Pos.	Qty.	Pos.	Qty.	Pos.	Qty.
9	1	17	2	35	1
10	1	20	1	42	1
13	1	22	2	44	1
14	1	24	1		
15	1	25	1		
16	1	28	1		
				20 <sup>Brass</sup>	1
				21	1
				23	1
				41	1
				42	1
				43	1

ID = injector  
IDR = adjustable injector