

Kit Number 104068-02

Ignition Control Installation Instructions

KIT CONTENTS		
Part Number	Description	Quantity
104040-01	Ignition Control Assembly	1
104071-02	Instruction Sheet	1

Installation instructions are intended for use by qualified technicians. Installation of this part should be done by a qualified technician at an authorized service center facility.

NOTICE: Review entire instruction sheet before replacing assembly.

Tools needed for assembly replacement:

- 5/16" Nut Driver or Socket Wrench
- Needle Nose Pliers

WARNING: Unplug heater before servicing.

Removing the Old Assembly

1. Using the 5/16" nut driver or socket wrench, remove the four side cover screws (see Figure 1).
2. Disconnect the eight wires from the ignition control assembly.
3. Using needle nose pliers, squeeze the tab on the printed circuit board support and lift up on the edge of the ignition control assembly (see Figure 2). Repeat this for the other four printed circuit board supports then remove the assembly.

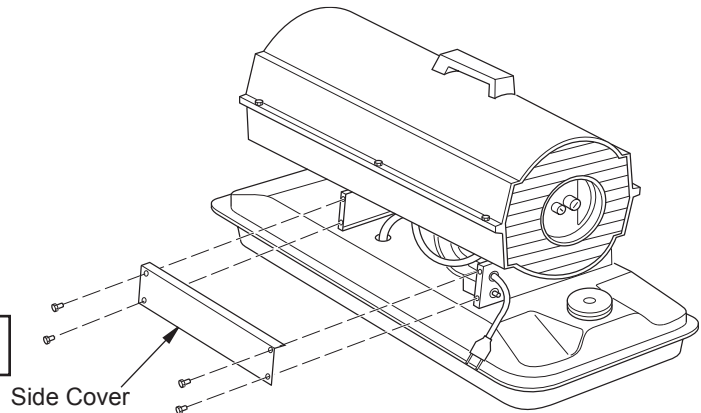


Figure 1 - Removing Cover

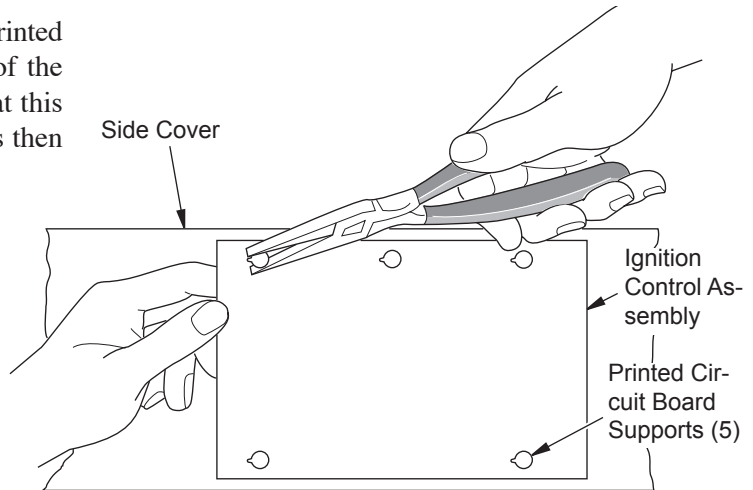


Figure 2 - Removing Circuit Board

Installing the New Assembly

⚠ CAUTION: Ignition control assembly contains electrostatic components. Handle the assembly by the edges of the printed circuit board. Do not touch any of the quick connect terminals or electronic components.

1. Align the five holes in the assembly with the five printed circuit board supports in the side cover.
2. Holding the assembly by the edges of the printed circuit board, apply downward pressure until all five tabs on the printed circuit board supports springlock into place. Pull up on assembly to verify this (see Figure 3).
3. Connect the eight wire leads to the ignition control assembly as shown in the connection diagram (see Figure 4).

⚠ CAUTION: Double check connections. Connecting ignition control assembly wrong could result in damage to the ignition control assembly and/or other components in the heater assembly.

4. Using the 5/16" nut driver or socket wrench reinstall side cover to heater. Tighten screws until snug. Do not over torque!

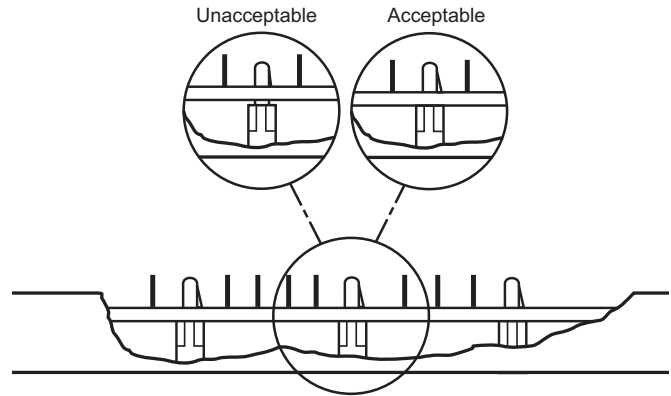


Figure 3 - Attaching Circuit Board to Tabs

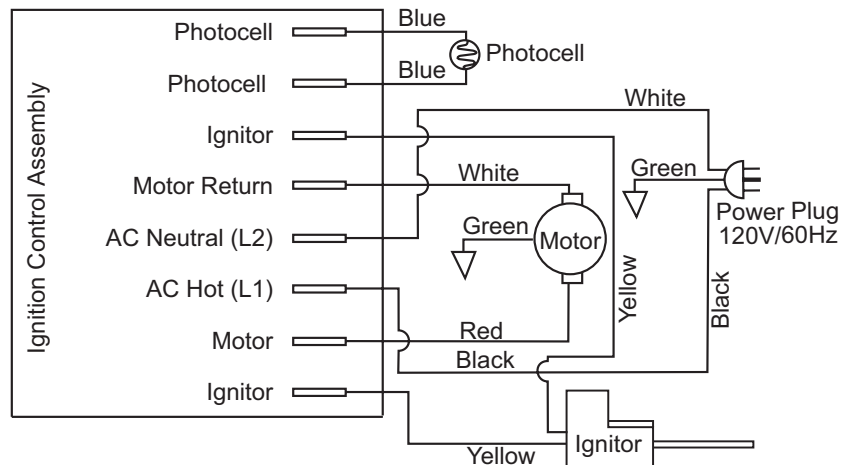


Figure 4 - Connection Diagram



104071 02
NOT A UPC

DESA
HEATING PRODUCTS

2701 Industrial Drive
P.O. Box 90004
Bowling Green, KY 42102-9004

104071-02
Rev. B
11/04